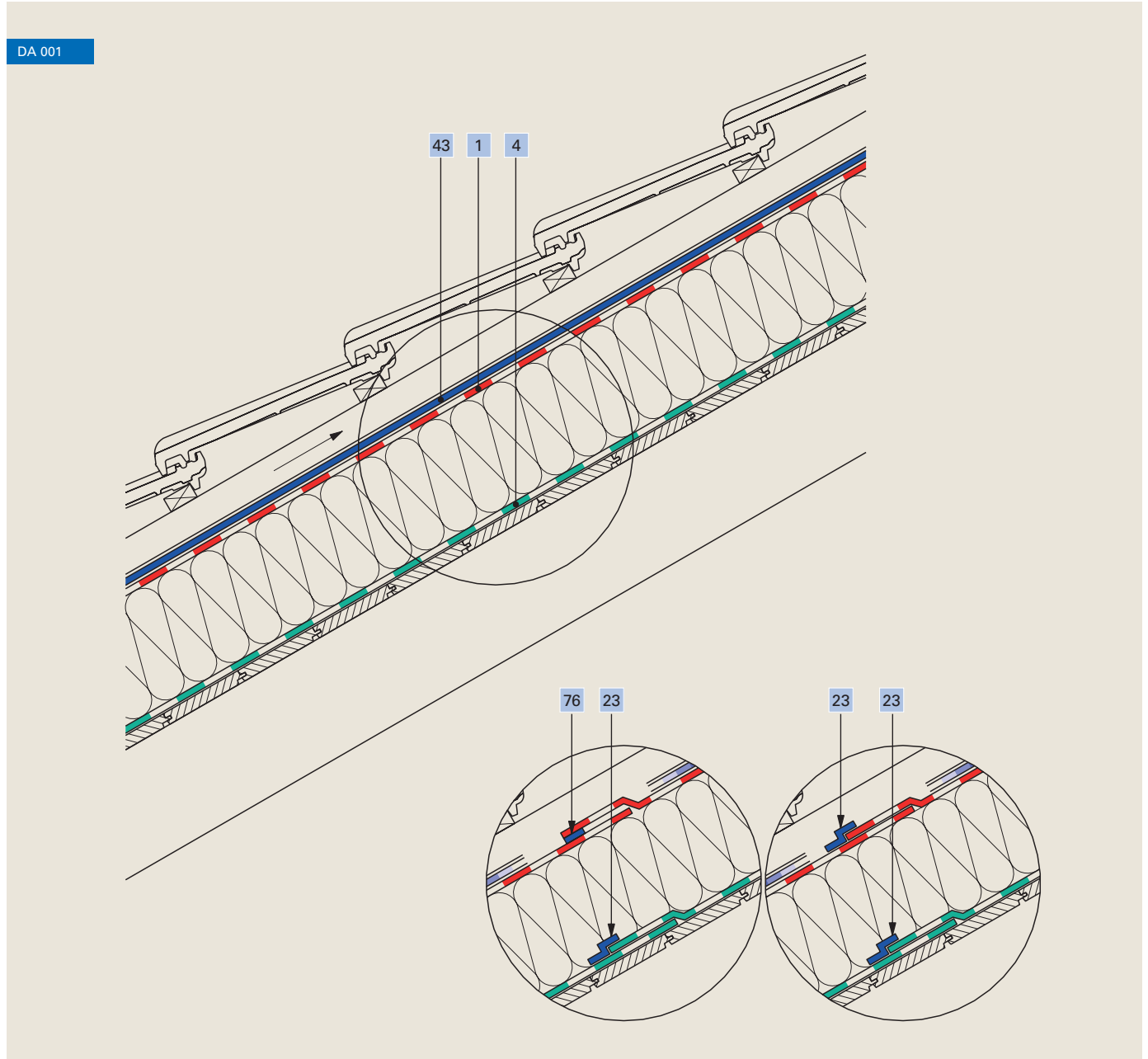


Roof

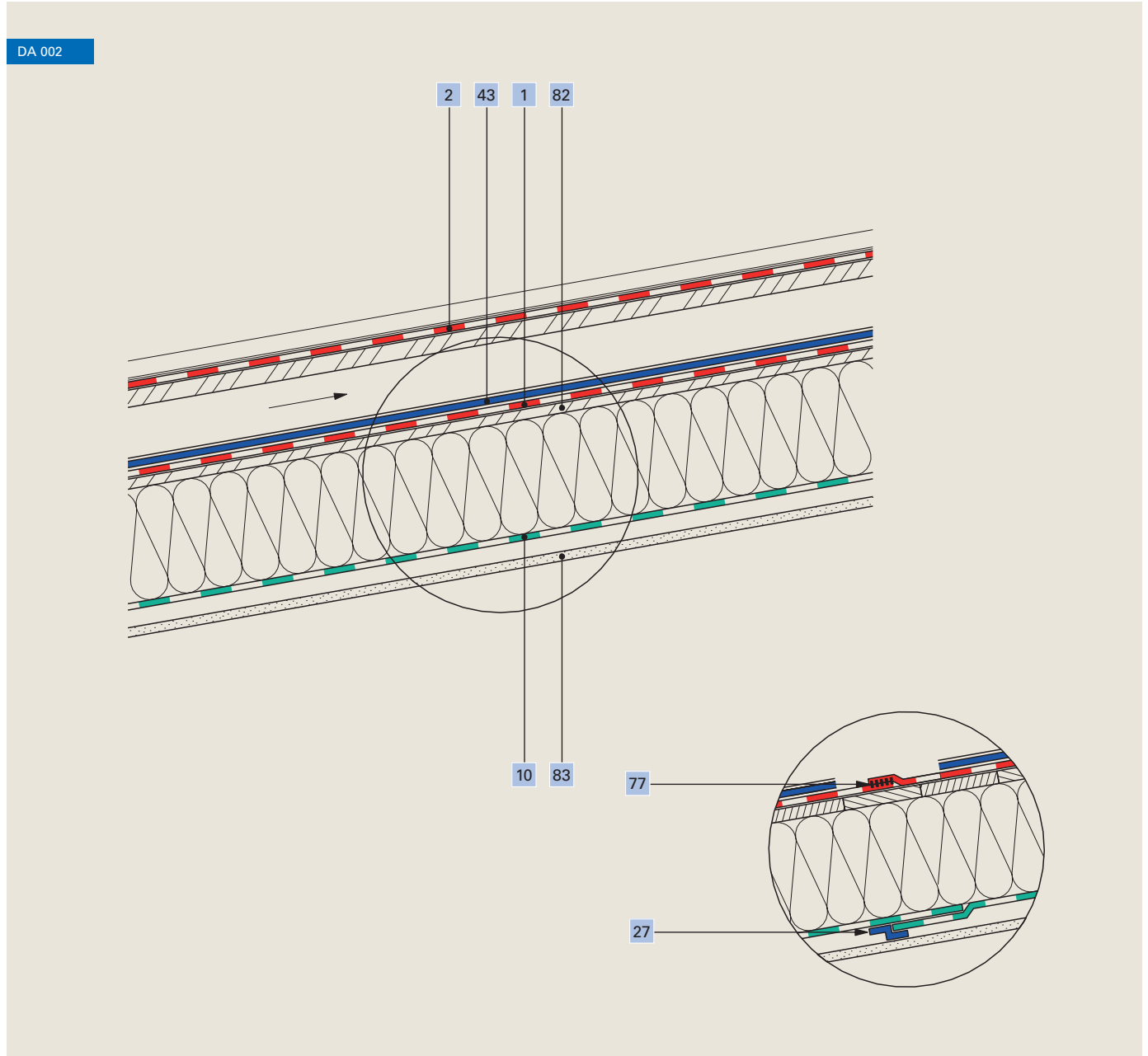
Warm roof, rafter-mounted insulation



1	Roof membrane Ampatop® Protecta (plus)	43	Nail sealing tape Ampacoll® ND.Band
4	Formwork membrane Ampatex® Solero	76	Alternative bonding: integrated tapes (Ampatop® Protecta plus)
23	Adhesive tape Ampacoll® XT, 60 mm		

Roof

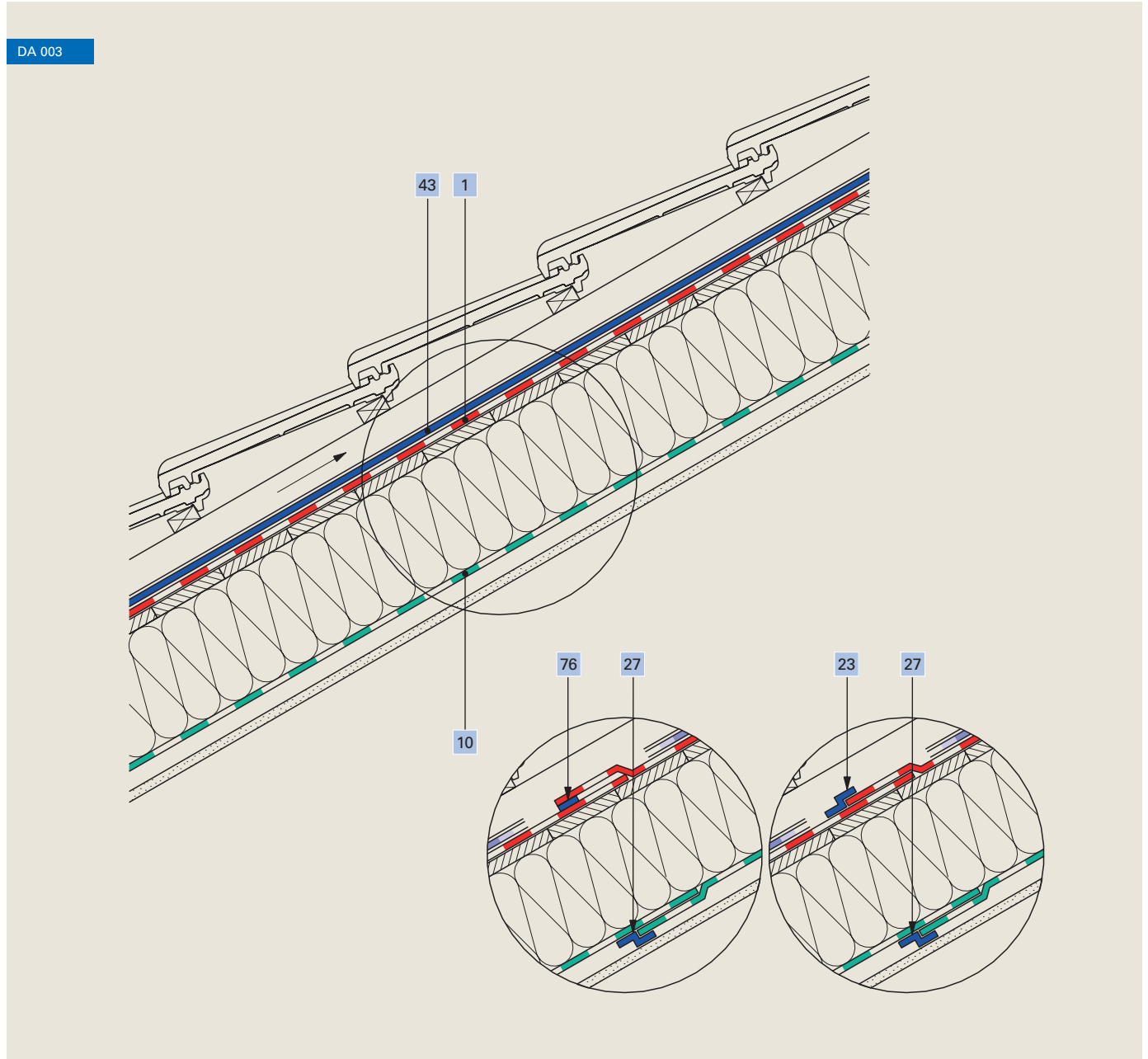
Ventilated sheet roof



1	Weldable Roof membrane Ampatop® Seal	43	Nail sealing tape Ampacoll® ND duo
2	Separation layer	77	Sealing by means of Ampacoll® LiquiSeal or heat
10	Vapour check Ampatex® DB 90	82	DWD panel
27	Adhesive tape Ampacoll® INT	83	Internal cladding

Roof

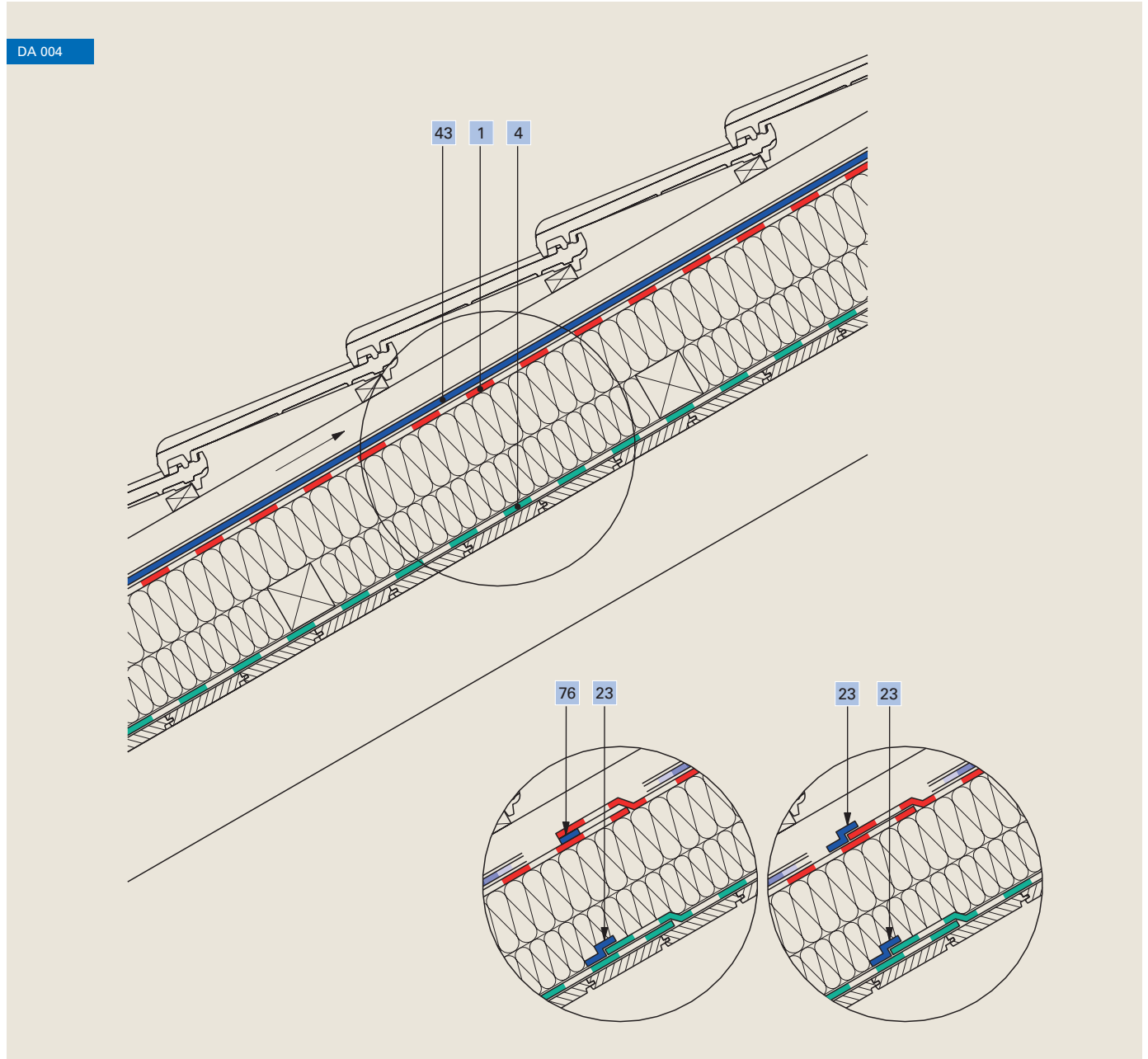
Full rafter insulation with roof membrane on formwork



1	Roof membrane Ampatop® Protecta (plus)	43	Nail sealing tape Ampacoll® ND.Band
10	Vapour check Ampatex® DB 90	76	Alternative bonding: integrated tapes (Ampatop® Protecta plus)
23	Adhesive tape Ampacoll® XT, 60 mm		
27	Adhesive tape Ampacoll® INT		

Roof

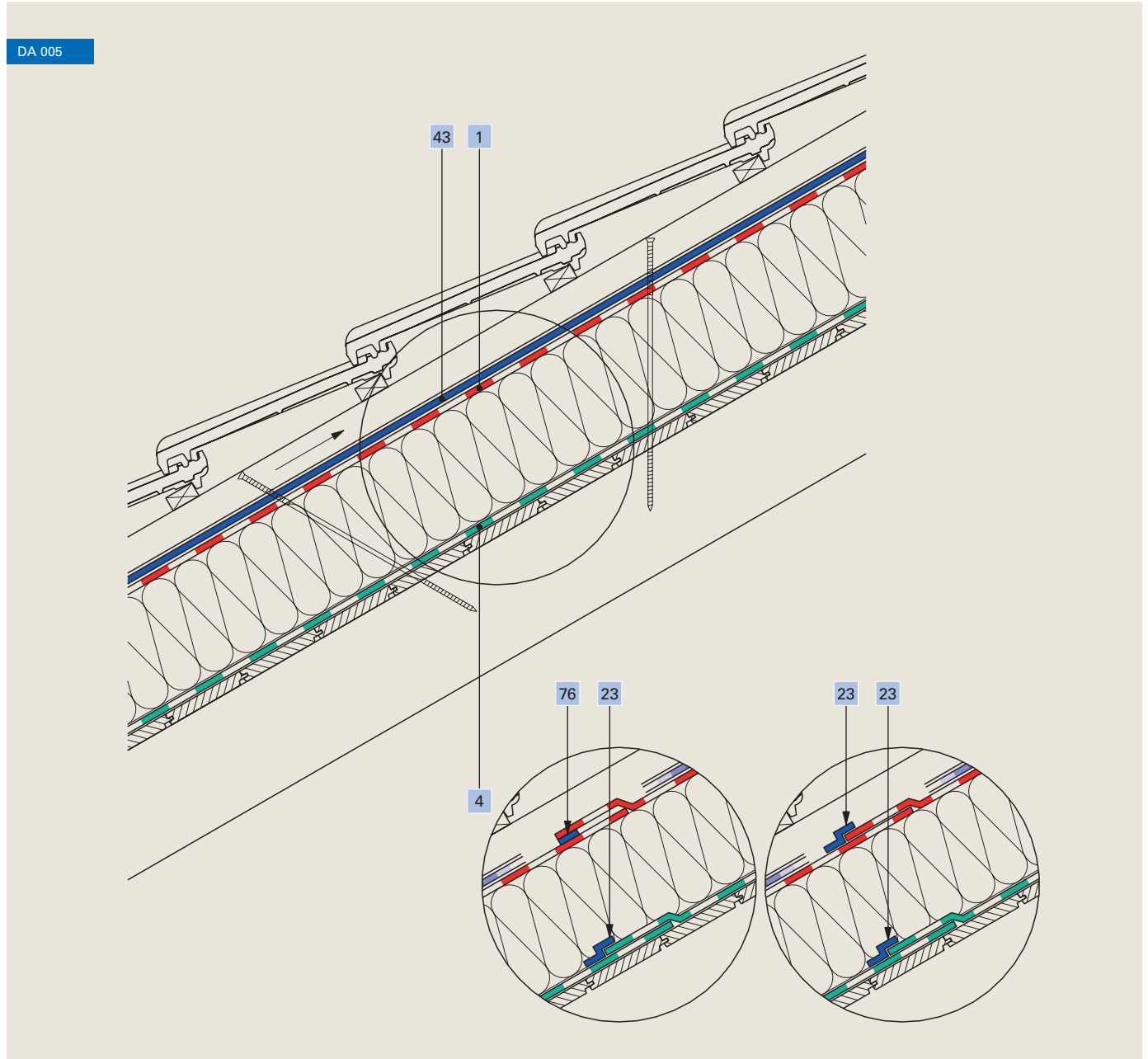
Rafter-mounted insulation, „Walliserdach“-type construction



1	Roof membrane Ampatop® Protecta (plus)	43	Nail sealing tape Ampacoll® ND.Band
4	Formwork membrane Ampatex® Solero	76	Alternative bonding: integrated tapes (Ampatop® Protecta plus)
23	Adhesive tape Ampacoll® XT, 60 mm		

Roof

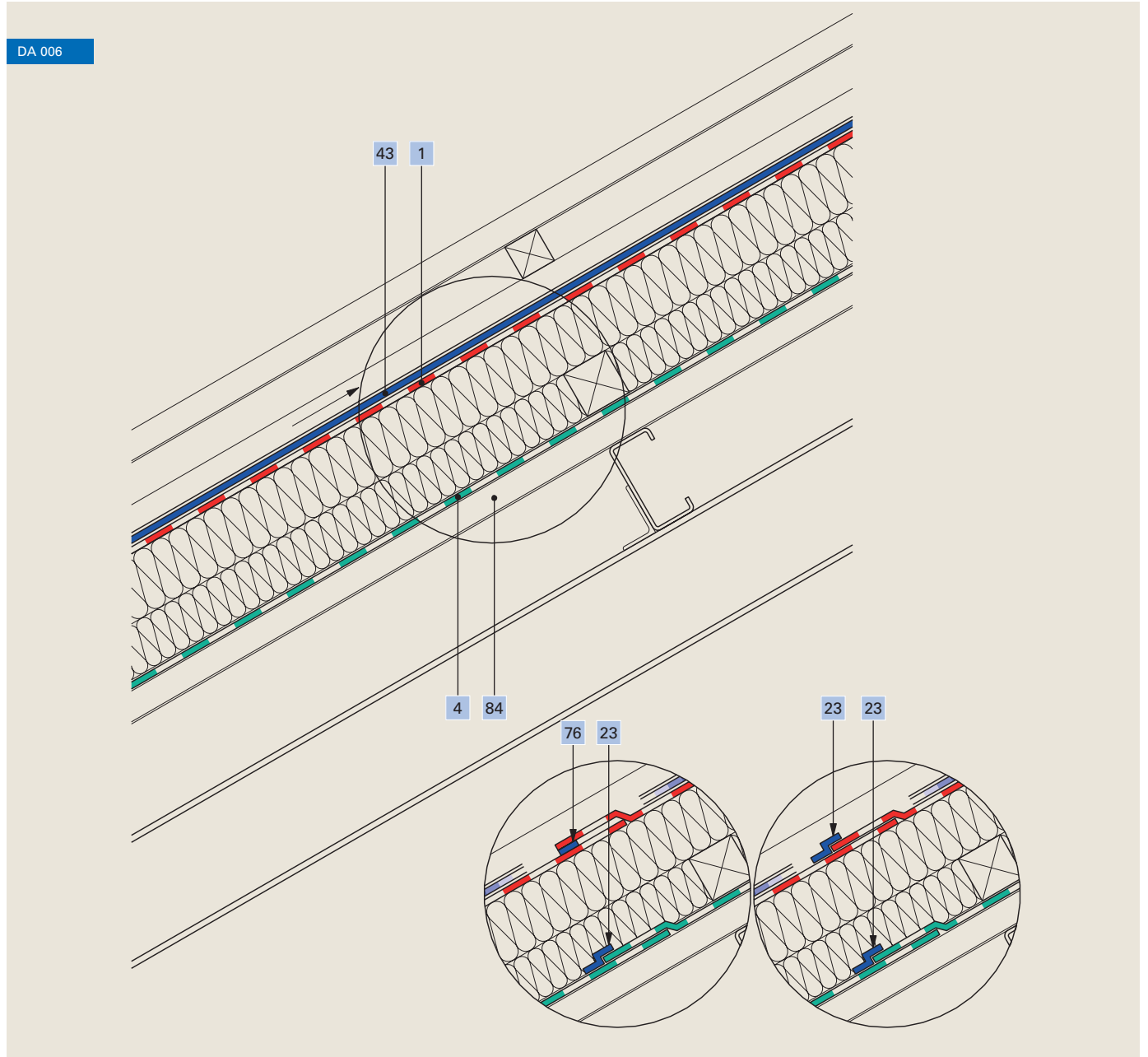
Rafter-mounted insulation, „Flumserdach“-type construction



1	Roof membrane Ampatop® Protecta (plus)	43	Nail sealing tape Ampacoll® ND.Band
4	Formwork membrane Ampatex® Solero	76	Alternative bonding: integrated tapes (Ampatop® Protecta plus)
23	Adhesive tape Ampacoll® XT, 60 mm		

Roof

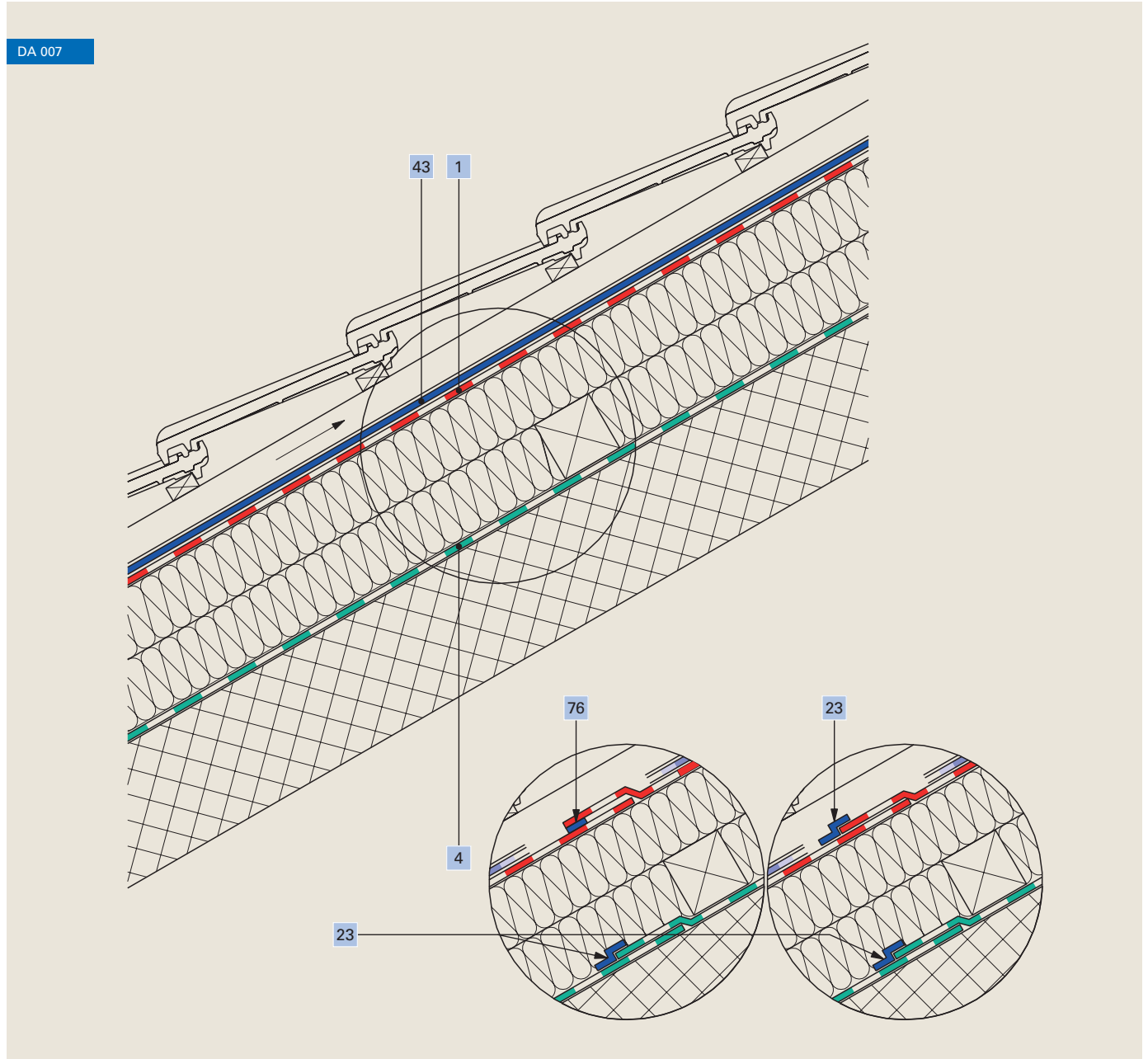
Trapezoidal sheet metal roof



1	Roof membrane Ampatop® Protecta (plus)	76	Alternative bonding: integrated tapes (Ampatop® Protecta plus)
4	Formwork membrane Ampatex® Solero	84	Profiled sheet
23	Adhesive tape Ampacoll® XT, 60 mm		
43	Nail sealing tape Ampacoll® ND.Band		

Roof

Concrete roof



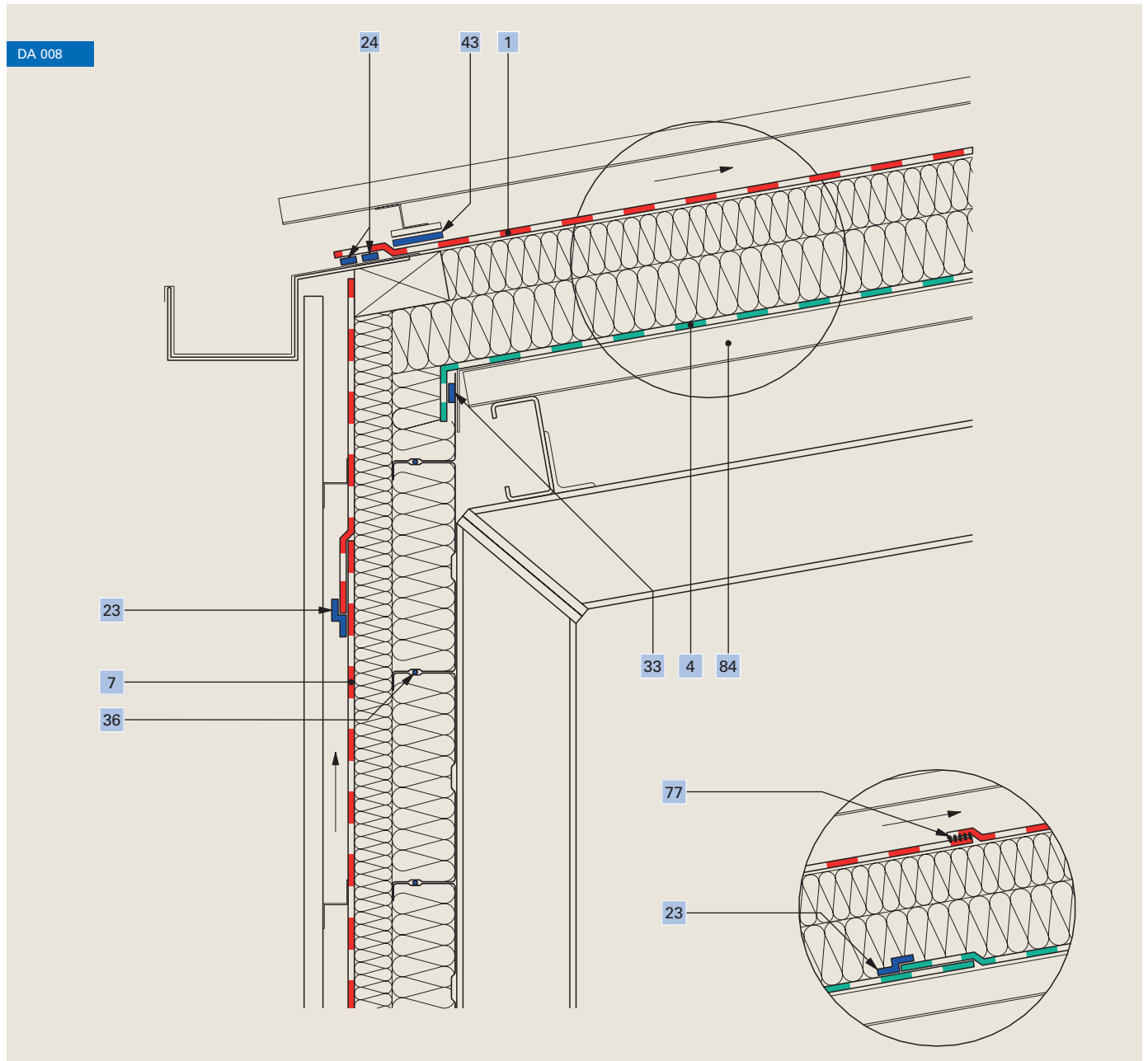
1	Nail sealing tape Ampacoll® ND.Band	43	Adhesive tape Ampacoll® XT , 60 mm
4	Roof membrane Ampatop® Protecta (plus)	76	Alternative bonding: integrated tapes (Ampatop® Protecta plus)
23	Formwork membrane Ampatex® Solero		

Ampack Switzerland:
+41 (0)71 858 38 00
www.ampack.eu



Roof, eaves

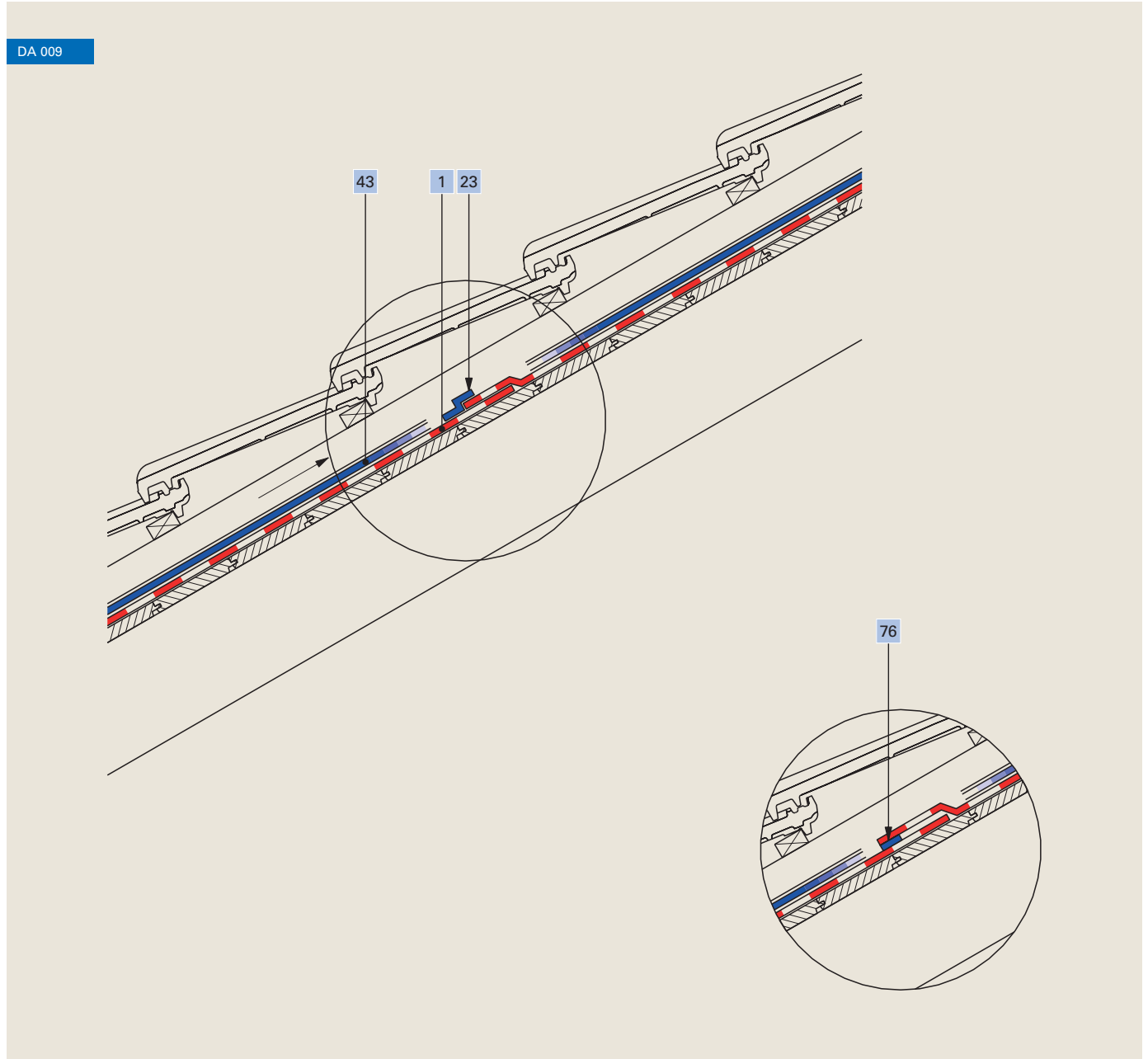
Sheet steel roof and sheet steel façade



1	Weldable Roof membrane Ampatop® Seal	33	Adhesive tape Ampacoll® BK 530 , 15 mm
4	Formwork membrane Ampatex® Solero	36	Round cord Ampacoll® RS , 6 mm oder 10 mm
7	Wall membrane Ampatop® Aero (plus)	43	Nail seal Ampacoll® ND
23	Adhesive tape Ampacoll® XT , 60 mm	77	Sealing by means of Ampacoll® LiquiSeal or heat
24	Adhesive tape Ampacoll® DoubleSeal , 2 Streifen	84	Profiled sheet

Roof

Roof membrane on formwork

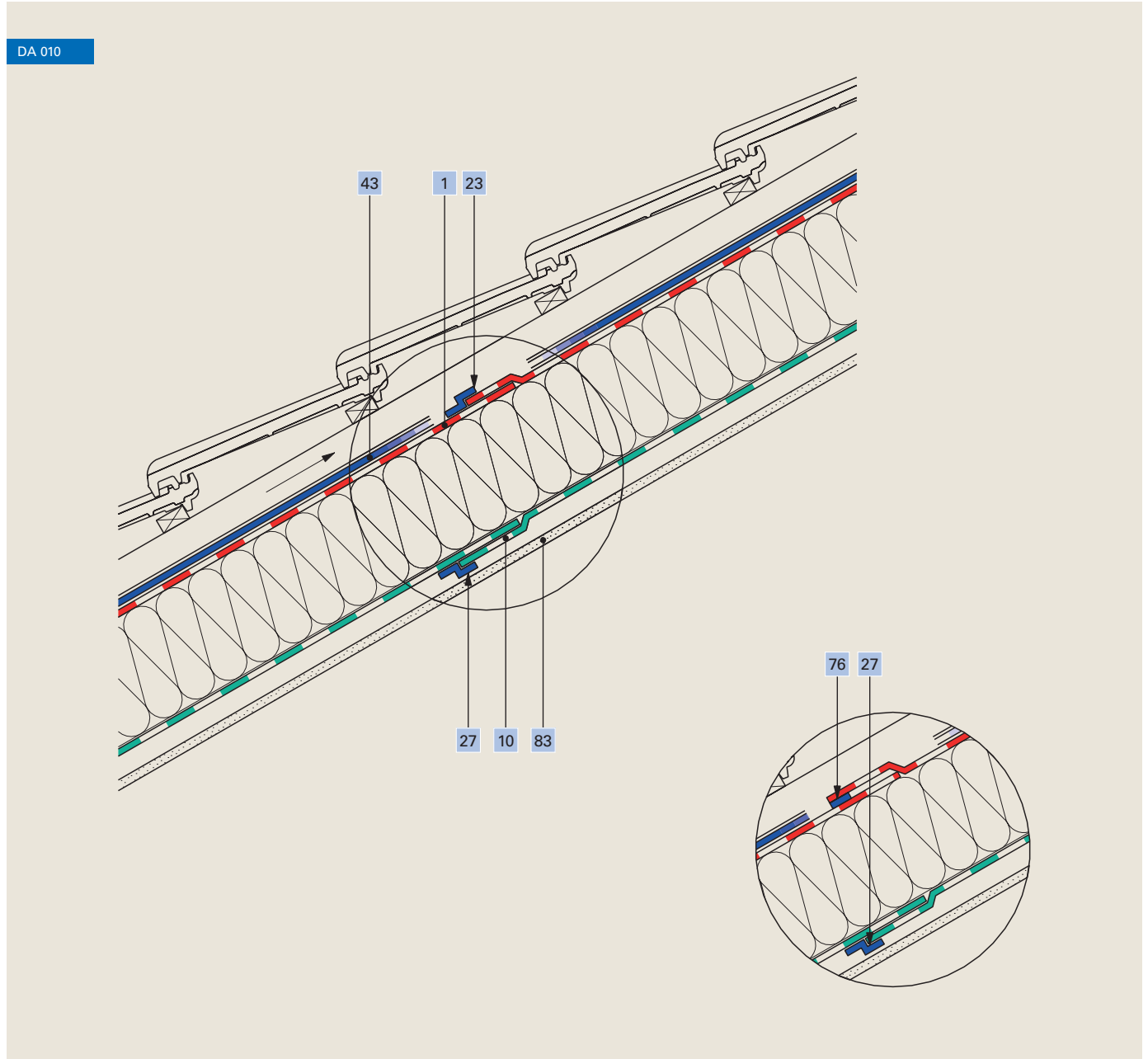


1	Roof membrane Ampatop® Protecta (plus)
23	Adhesive tape Ampacoll® XT , 60 mm
43	Nail sealing tape Ampacoll® ND.Band

76	Alternative bonding: integrated tapes (Ampatop® Protecta plus)
----	--

Roof

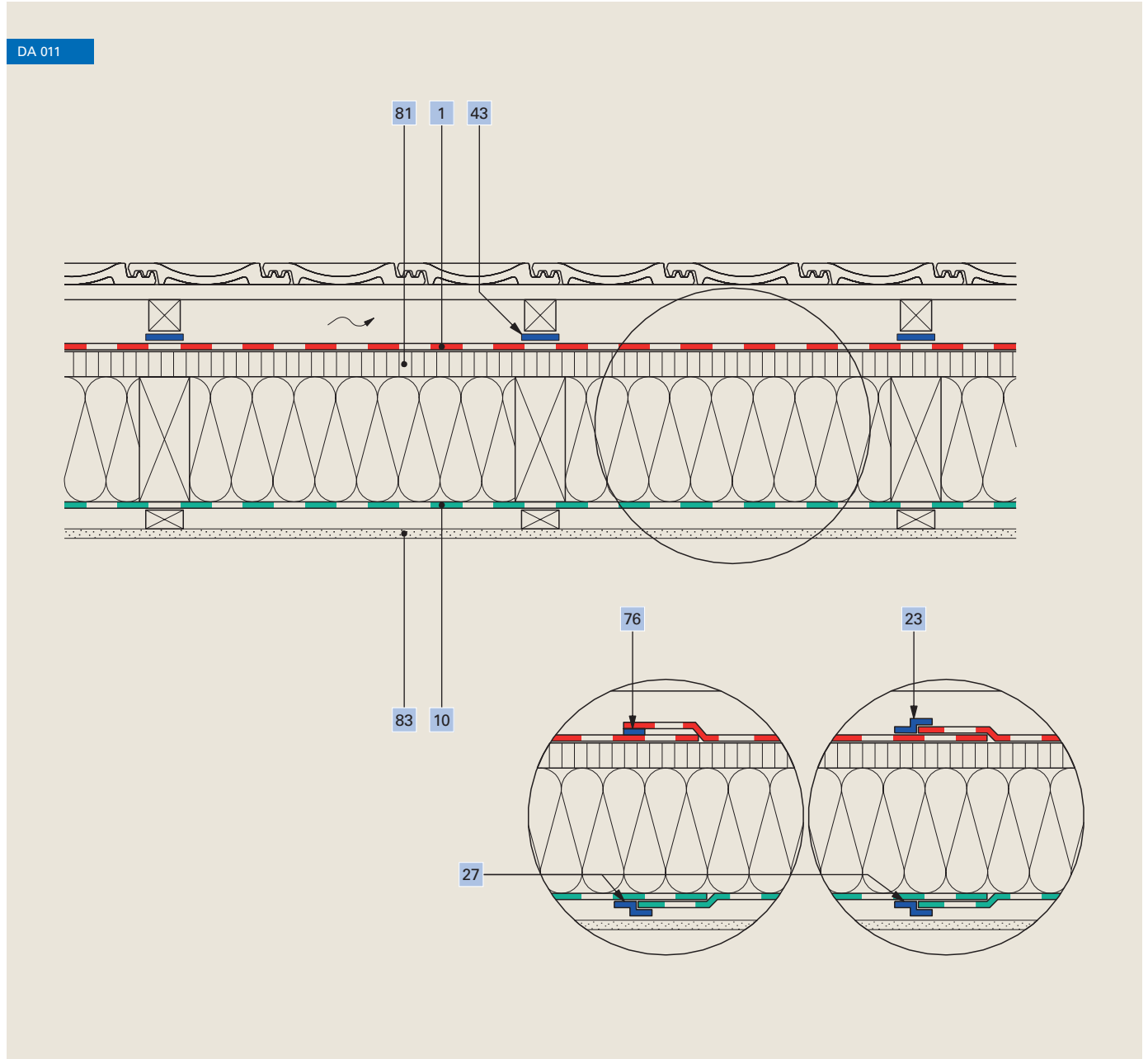
Full rafter insulation with roof membrane



1	Roof membrane Ampatop® Protecta (plus)	43	Nail sealing tape Ampacoll® ND.Band
10	Vapour check Ampatex® DB 90	76	Alternative bonding: integrated tapes (Ampatop® Protecta plus)
23	Adhesive tape Ampacoll® XT, 60 mm	83	Internal cladding
27	Adhesive tape Ampacoll® INT		

Roof, insulation mounted between the rafters

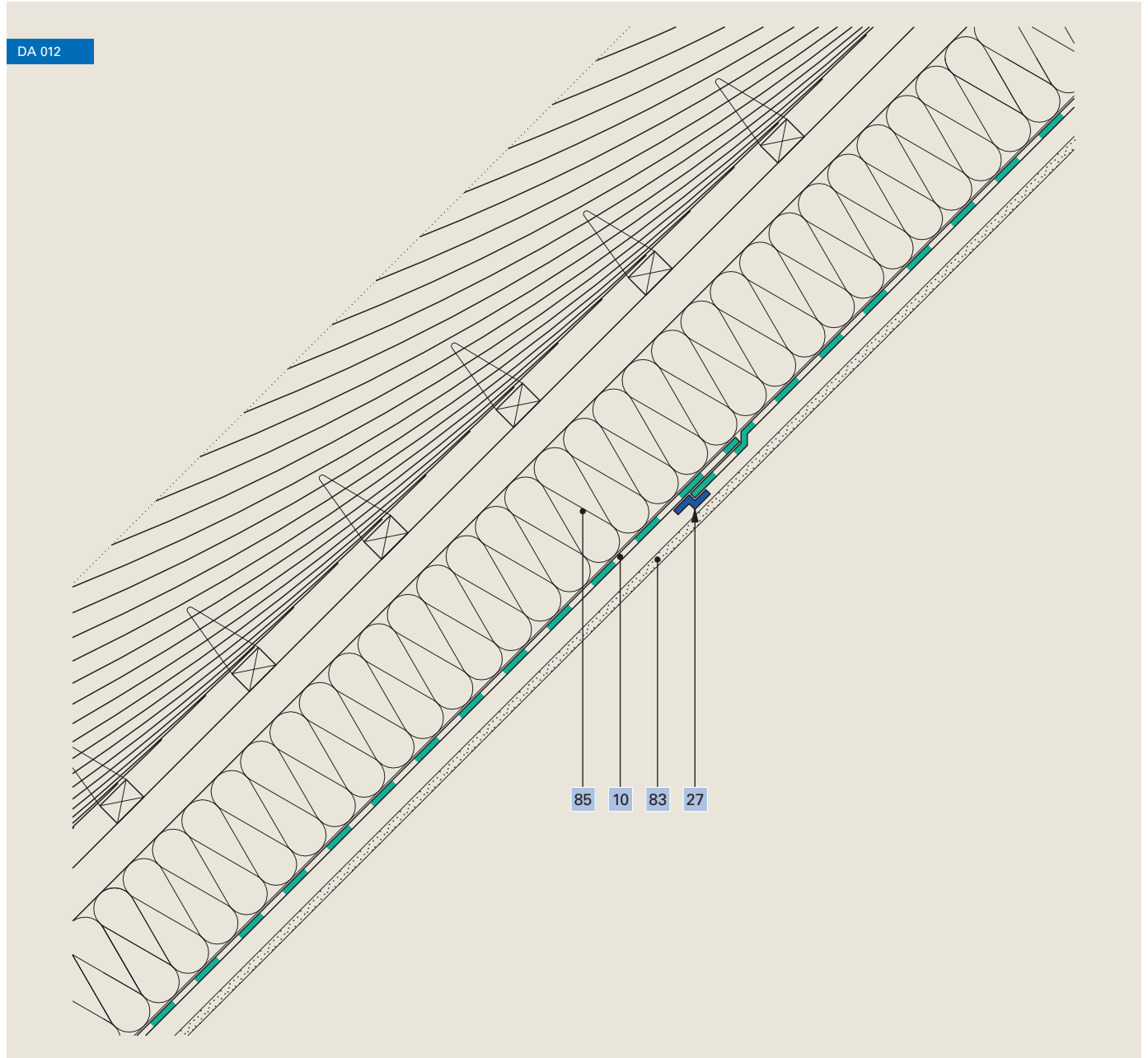
With softboard and cover membrane



1	Roof membrane Ampatop® Protecta (plus)	76	Alternative bonding: integrated tapes (Ampatop® Protecta plus)
10	Vapour check Ampatex® DB 90	81	Softboard
23	Adhesive tape Ampacoll® XT, 60 mm	83	Internal cladding
27	Adhesive tape Ampacoll® INT		
43	Nail sealing tape Ampacoll® ND.Band		

Roof

Thatched roof

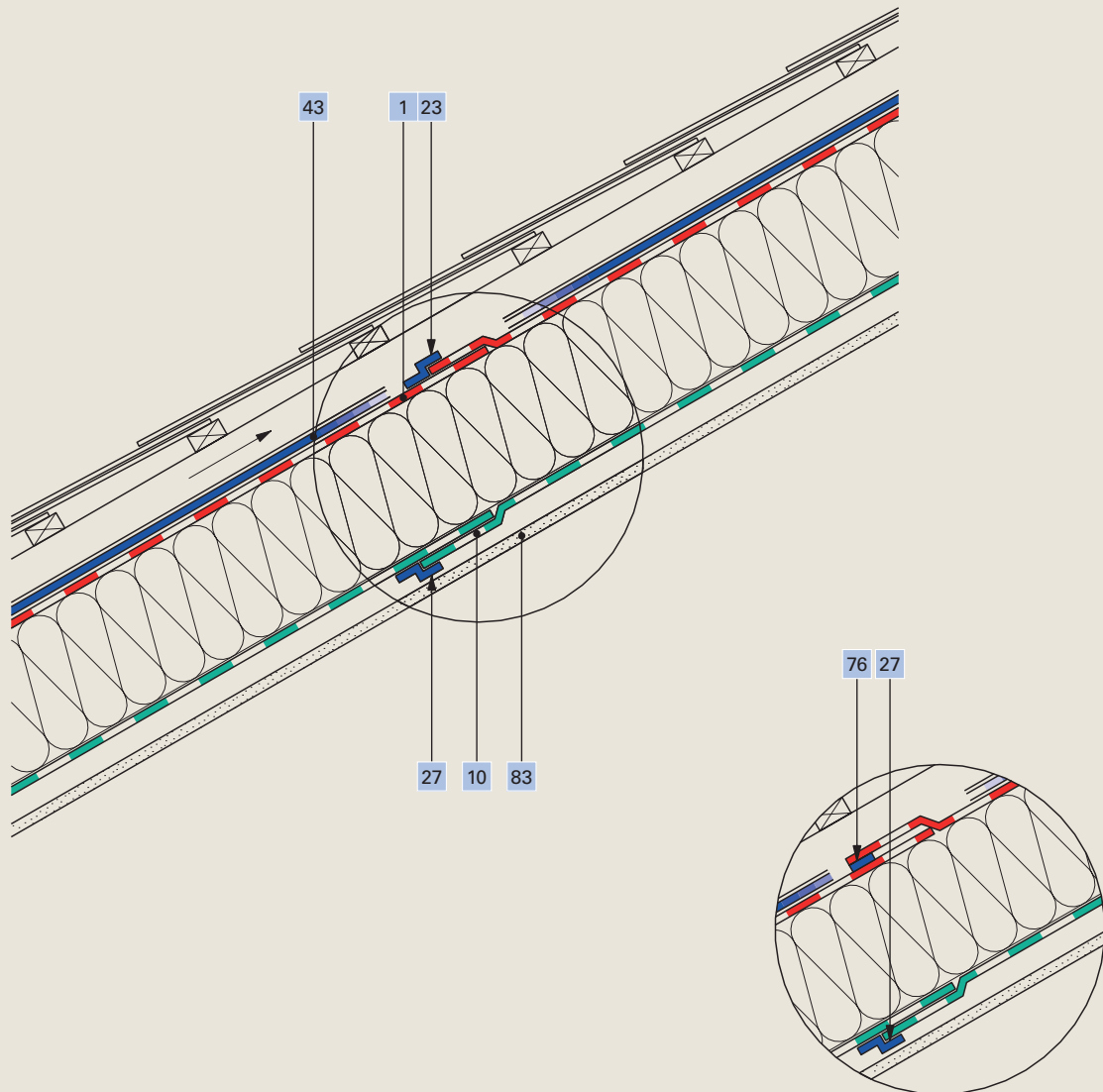


10	Vapour check Ampatex® DB 90	83	Internal cladding
27	Adhesive tape Ampacoll® INT	85	Construction

Roof

Slate roof

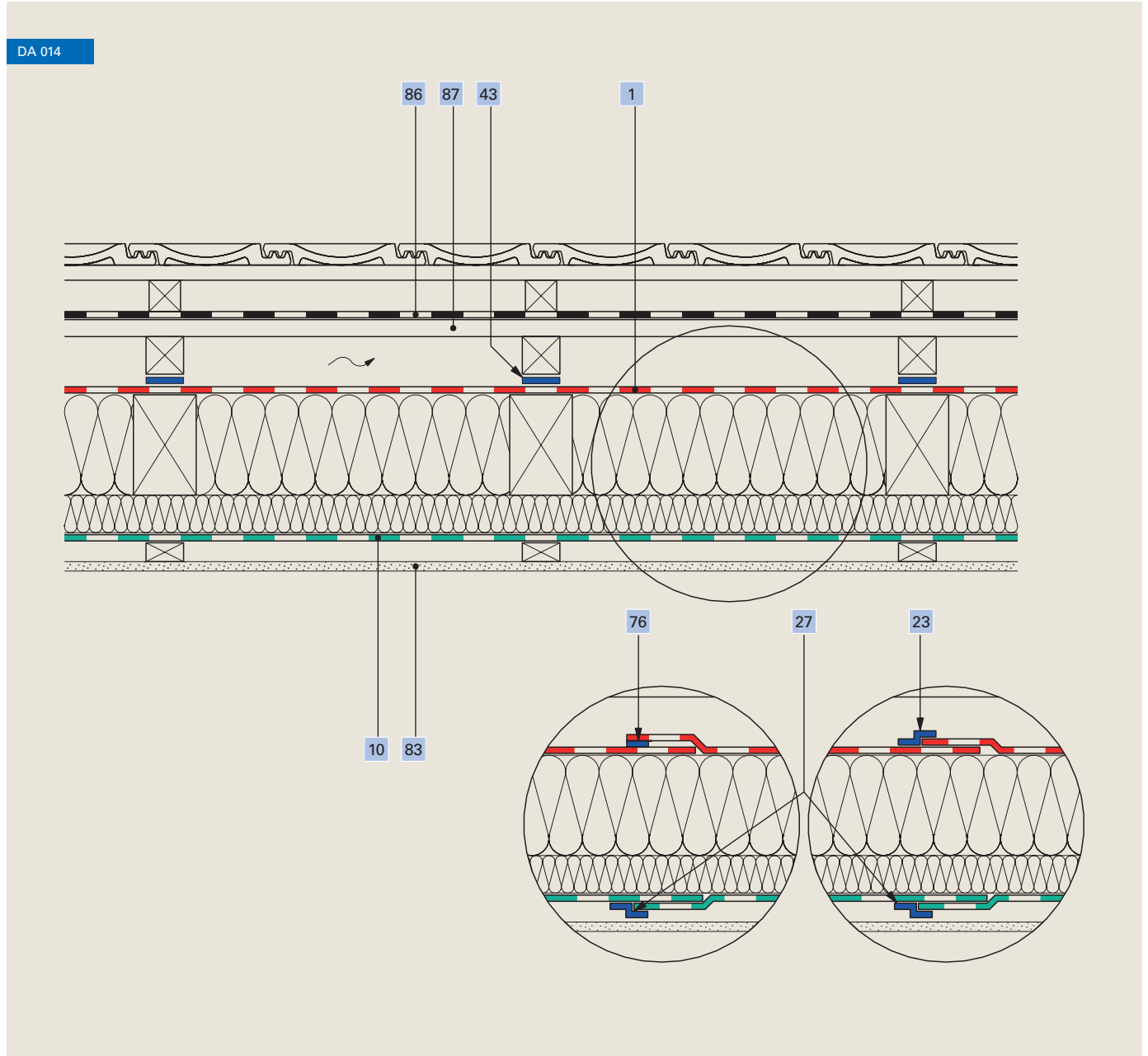
DA 013



1	Roof membrane Ampatop® Protecta (plus)	43	Nail sealing tape Ampacoll® ND.Band
10	Vapour check Ampatex® DB 90	76	Alternative bonding: integrated tapes (Ampatop® Protecta plus)
23	Adhesive tape Ampacoll® XT, 60 mm	83	Internal cladding
27	Adhesive tape Ampacoll® INT		

Roof

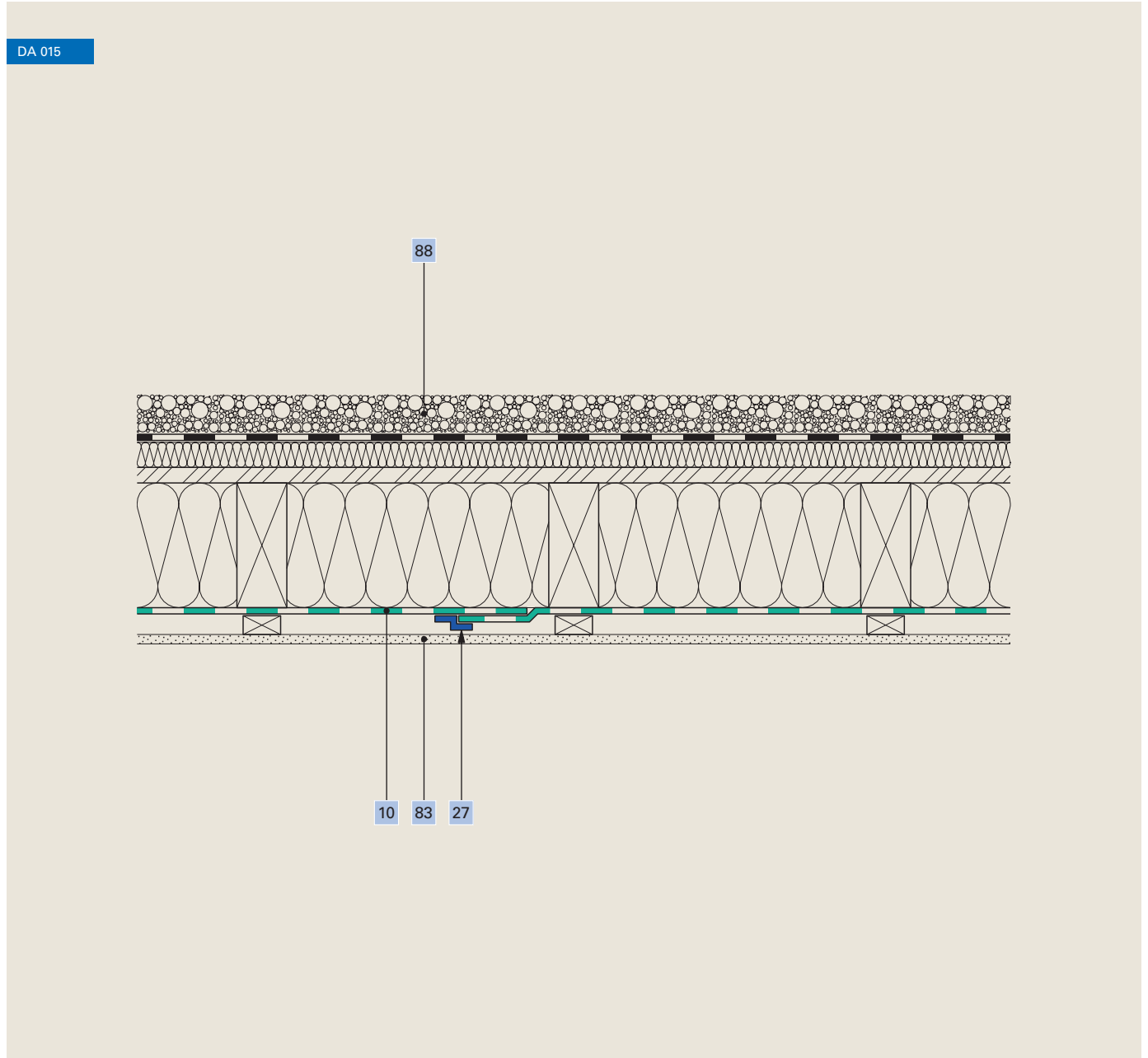
Roof with double sub-roof



1	Roof membrane Ampatop® Protecta (plus)	76	Alternative bonding: Integrated tapes (Ampatop® Protecta plus)
10	Vapour check Ampatex® DB 90	86	Bitumen strip
23	Adhesive tape Ampacoll® XT, 60 mm	87	Formwork
27	Adhesive tape Ampacoll® INT	83	Internal cladding
43	Nail sealing tape Ampacoll® ND.Band		

Roof

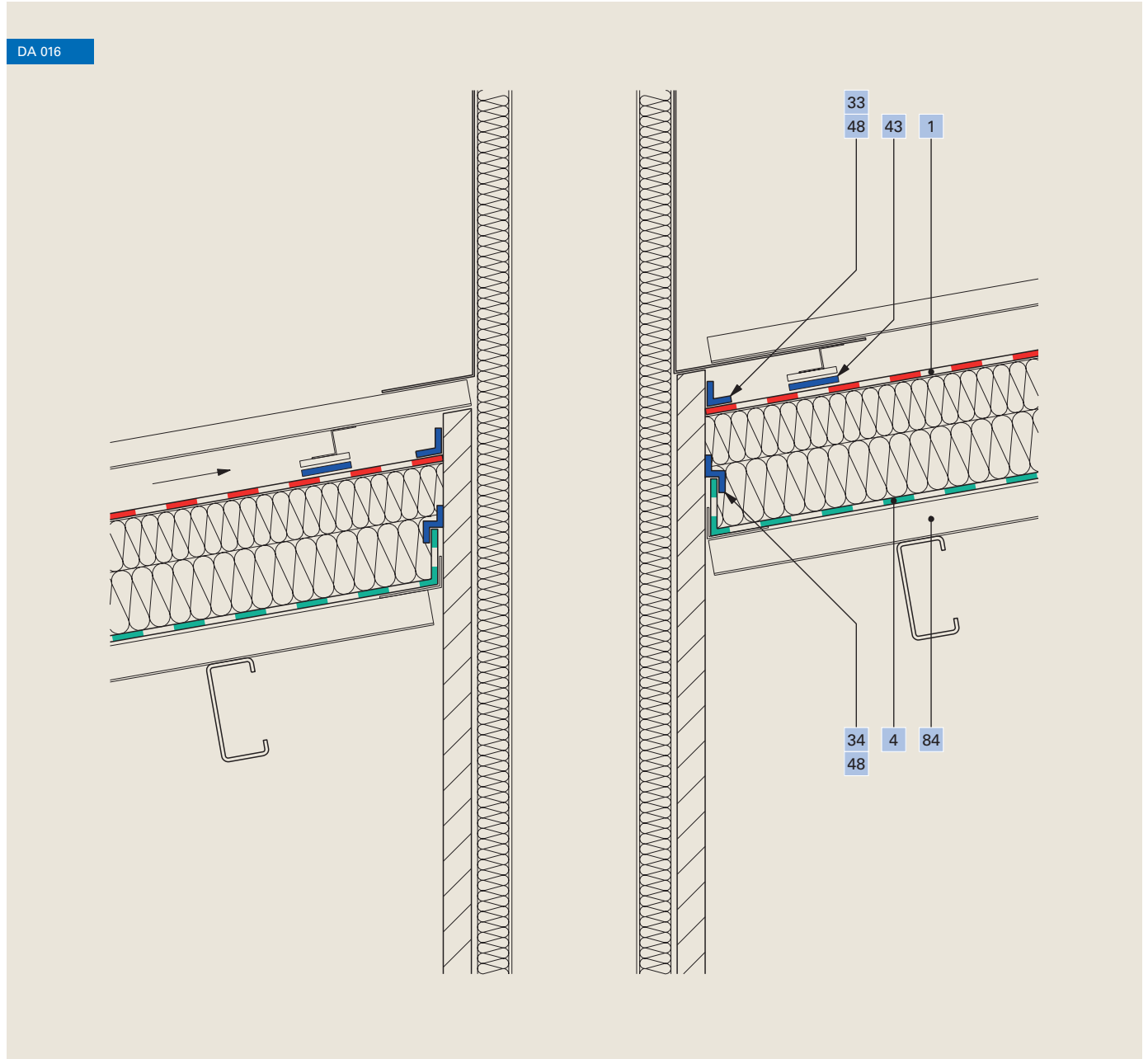
Flat roof with diffusion-proof external panelling



10	Vapour check Ampatex® Variano	83	Internal cladding
27	Adhesive tape Ampacoll® INT	88	Round gravel, rubble height 60 mm

Roof, penetration

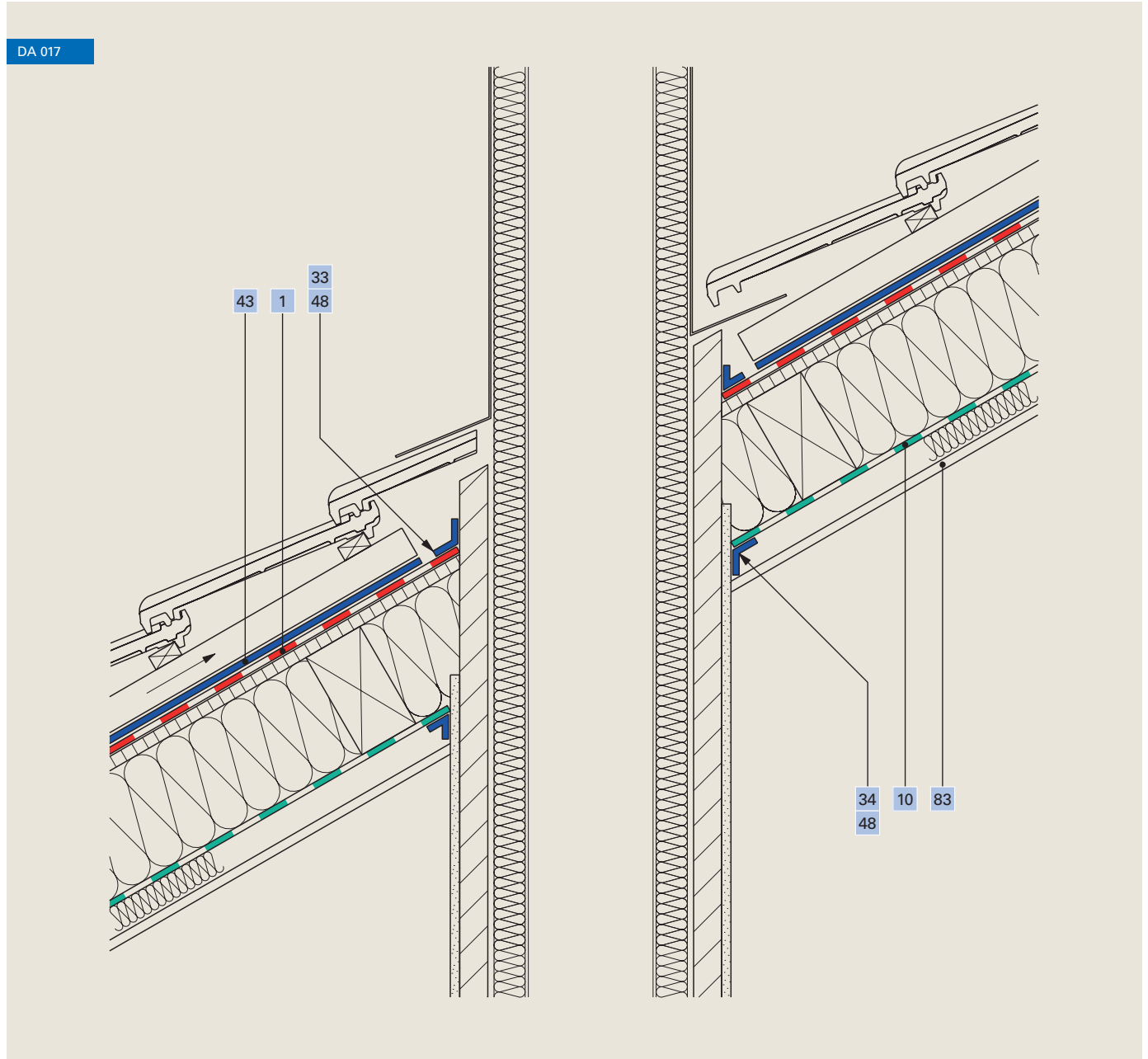
Chimney through trapezoidal sheet metal roof



1	Roof membrane Ampatop® Protecta (plus)	43	Nail seal Ampacoll® ND
4	Formwork membrane Ampatex® Solero	48	Primer Ampacoll® Airmax
33	Adhesive tape Ampacoll® BK 535, 80 mm	84	Profiled sheet
34	Adhesive tape Ampacoll® BK 535, 50 mm		

Roof, penetration

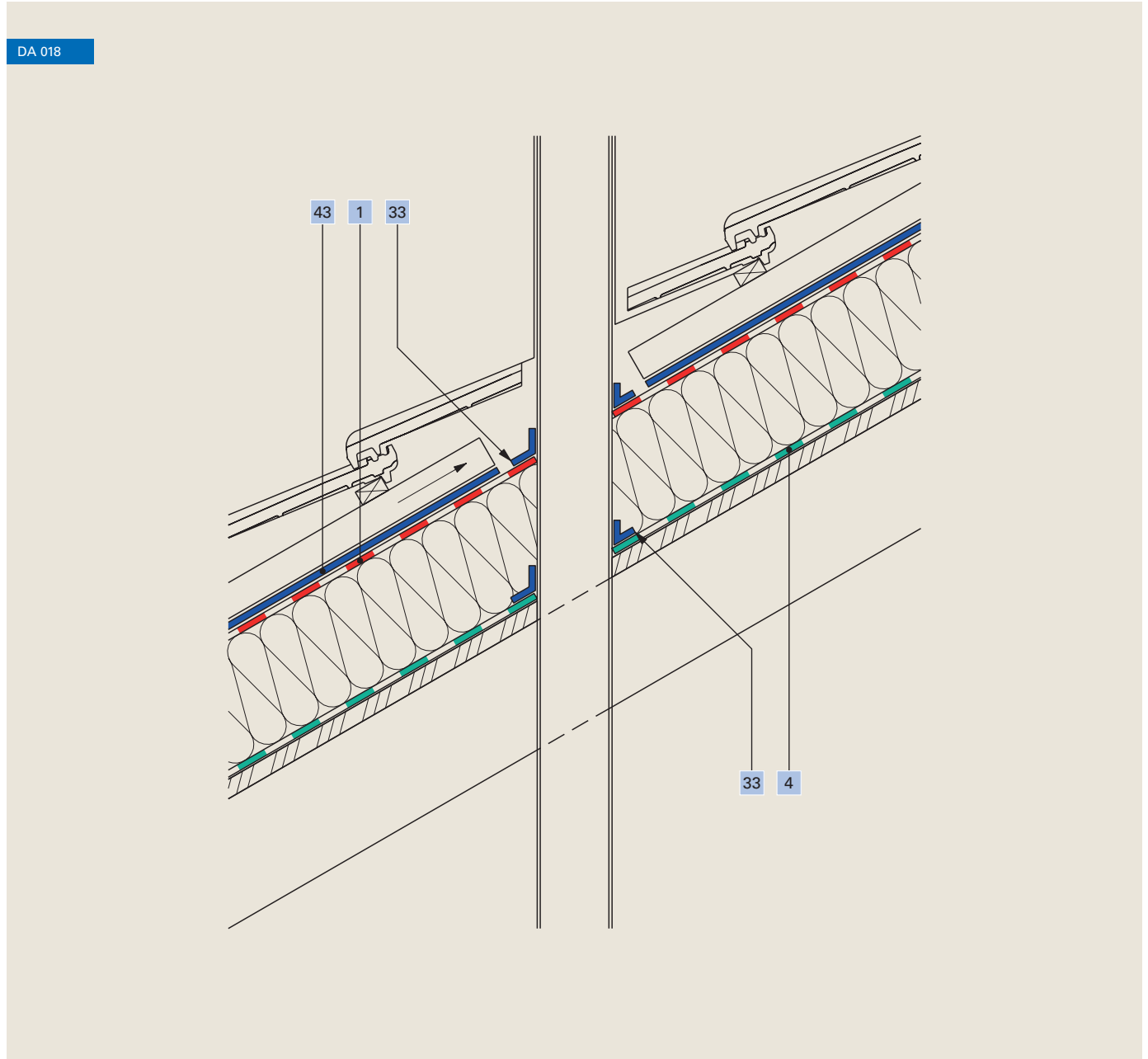
Chimney through full rafter insulation and tile cover



1	Roof membrane Ampatop® Protecta (plus)	43	Nail sealing tape Ampacoll® ND.Band
10	Vapour check Ampatex® DB 90	48	Primer Ampacoll® Primax
33	Adhesive tape Ampacoll® BK 535, 80 mm	83	Internal cladding
34	Adhesive tape Ampacoll® BK 535, 50 mm		

Roof, penetration

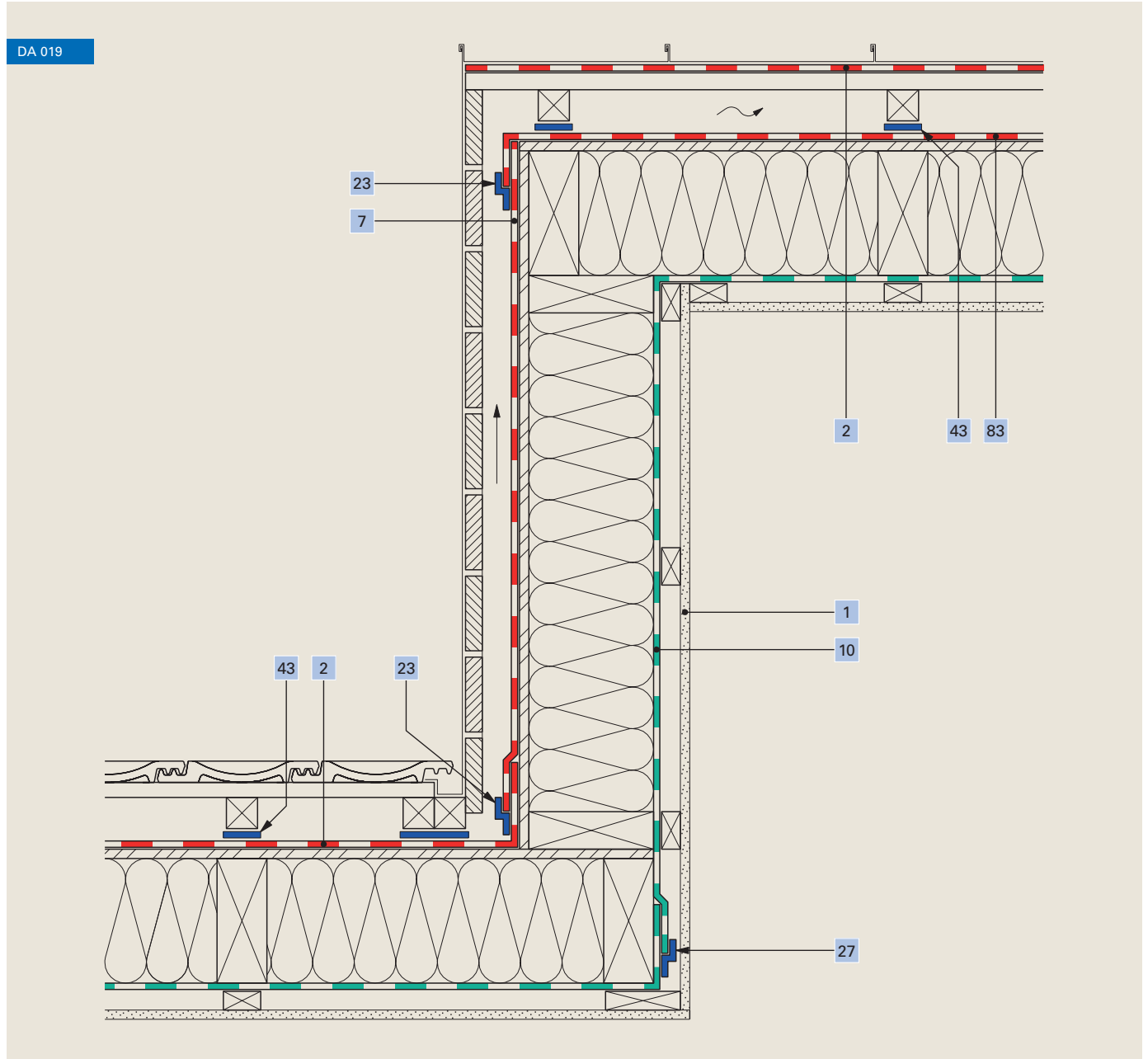
With single-sided adhesive tape, rafter-mounted insulation



1	Roof membrane Ampatop® Protecta (plus)	33	Adhesive tape Ampacoll® BK 535, 80 mm
4	Formwork membrane Ampatex® Solero	43	Nail sealing tape Ampacoll® ND.Band

Roof

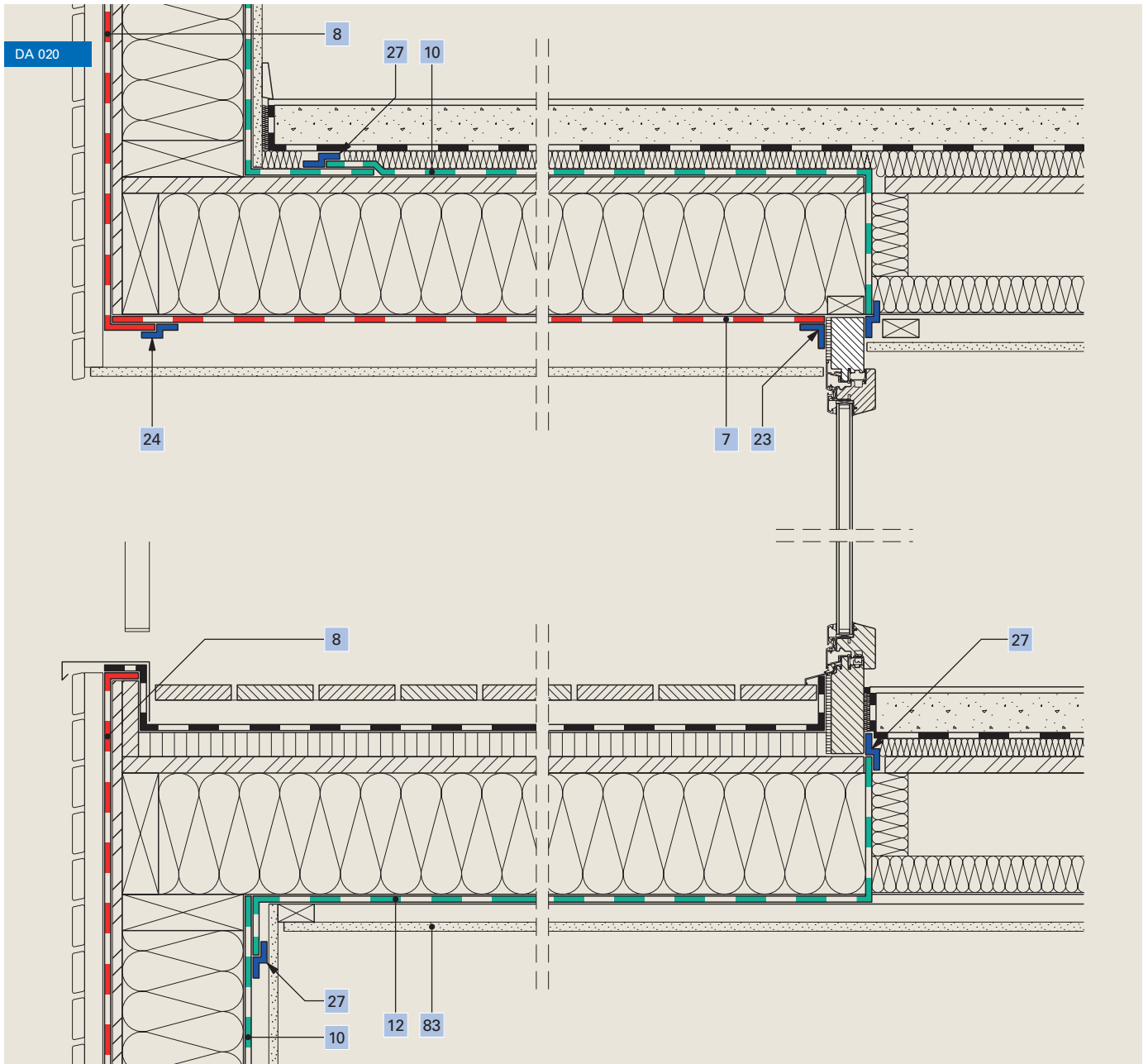
▀ Dormer window with diffusion-proof external panelling (sheet)



1	Weldable Roof membrane Ampatop® Seal	23	Adhesive tape Ampacoll® XT , 60 mm
2	Separation layer	27	Adhesive tape Ampacoll® INT
7	Wall membrane Ampatop® Aero (plus)	43	Nail sealing tape Ampacoll® ND.Band
10	Vapour check Ampatex® Variano	83	Internal cladding

Roof

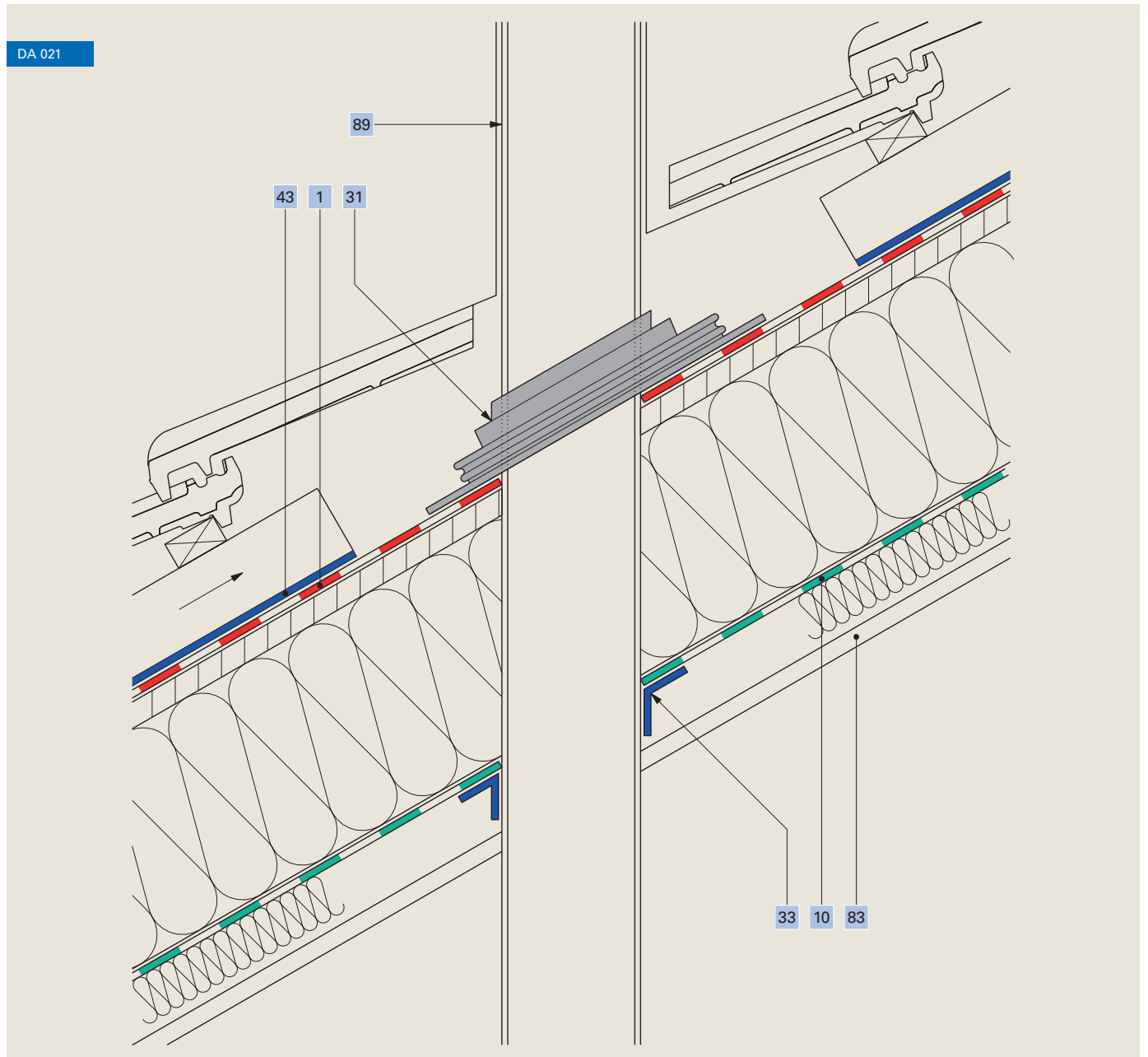
Loggia ceiling and loggia floor



7	Wall membrane Ampatop® Aero (plus)	24	Adhesive tape Ampacoll® UV
8	Wall membrane Ampatop® F black	27	Adhesive tape Ampacoll® INT
10	Vapour check Ampatex® Variano	83	Internal cladding
12	Vapour barrier Sisalex® 514		
23	Adhesive tape Ampacoll® XT, 60 mm		

Roof, penetration

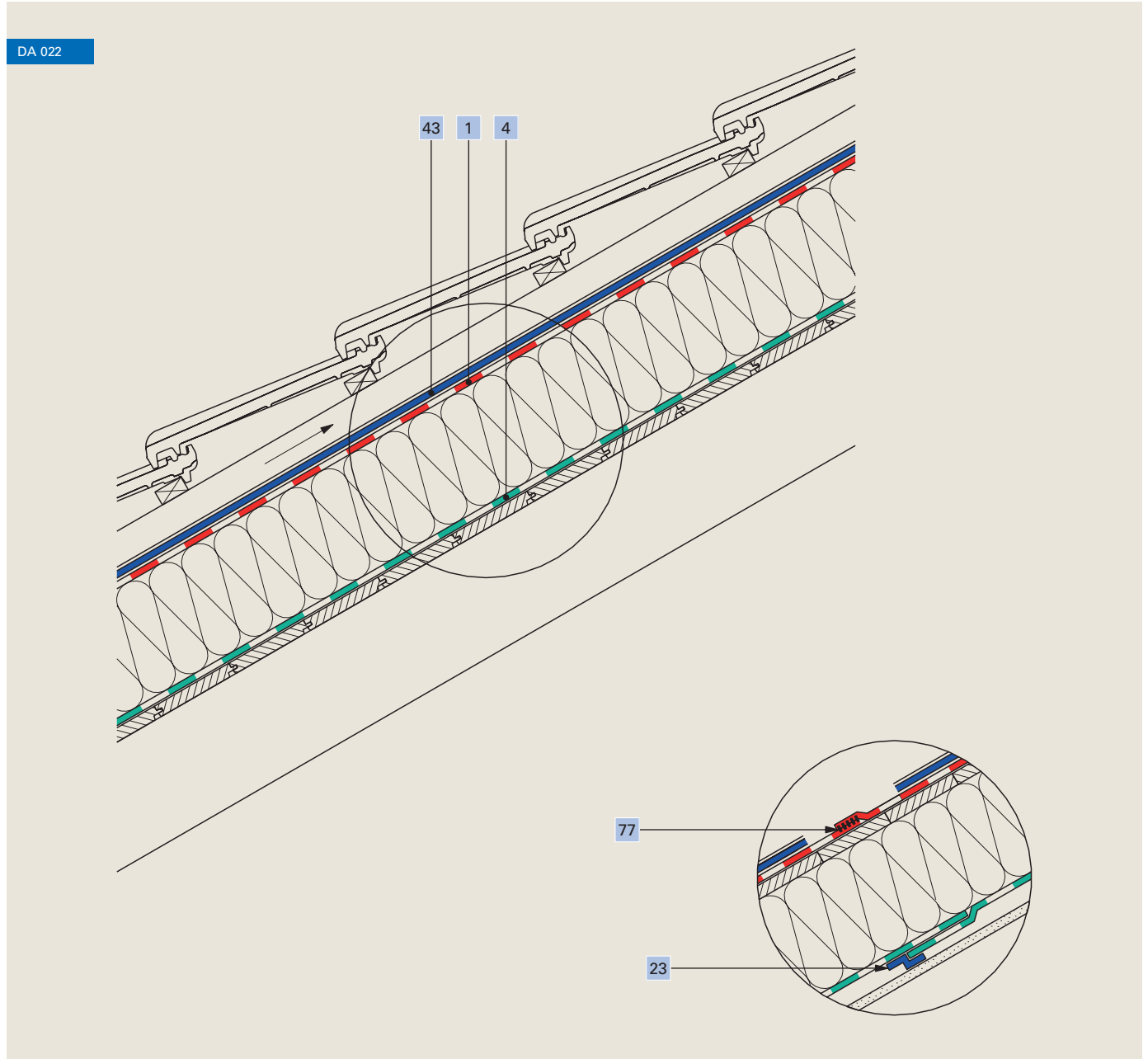
Penetration with sleeve



1	Roof membrane Ampatop® Protecta (plus)	43	Nail sealing tape Ampacoll® ND.Band
10	Vapour check Ampatex® DB 90	83	Internal cladding
31	Sleeve Ampacoll® Install 100	89	Ventilation duct Ø 100 – 130 mm
33	Adhesive tape Ampacoll® BK 535, 50 mm		

Roof, rafter-mounted insulation

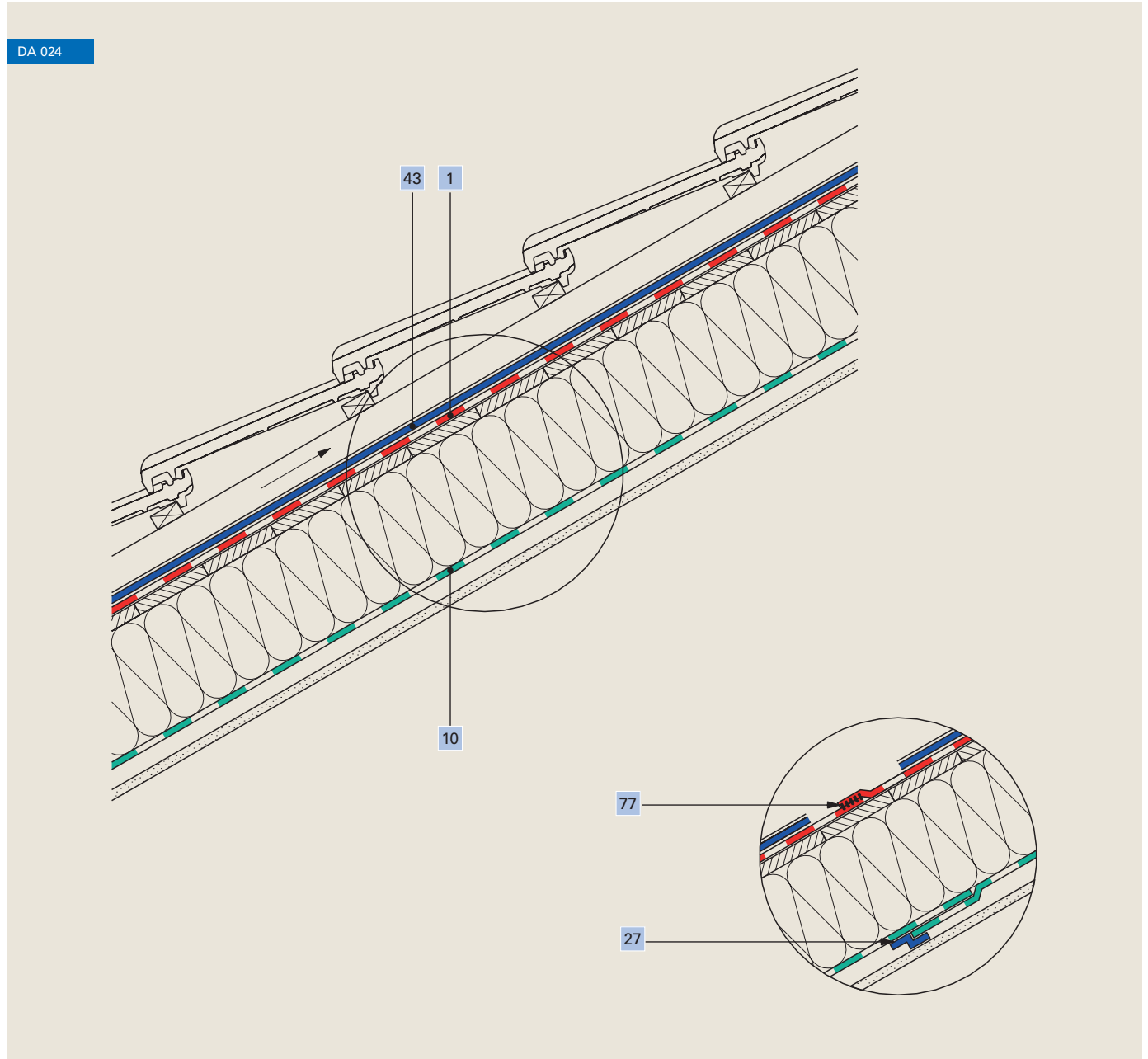
Weldable roof membrane



1	Weldable Roof membrane Ampatop® Seal	43	Nail sealing tape Ampacoll® ND.Band , from a roof pitch of 25°
4	Formwork membrane Ampatex® Solero	77	Sealing by means of Ampacoll® LiquiSeal or heat
23	Adhesive tape Ampacoll® XT , 60 mm		

Roof, full rafter insulation

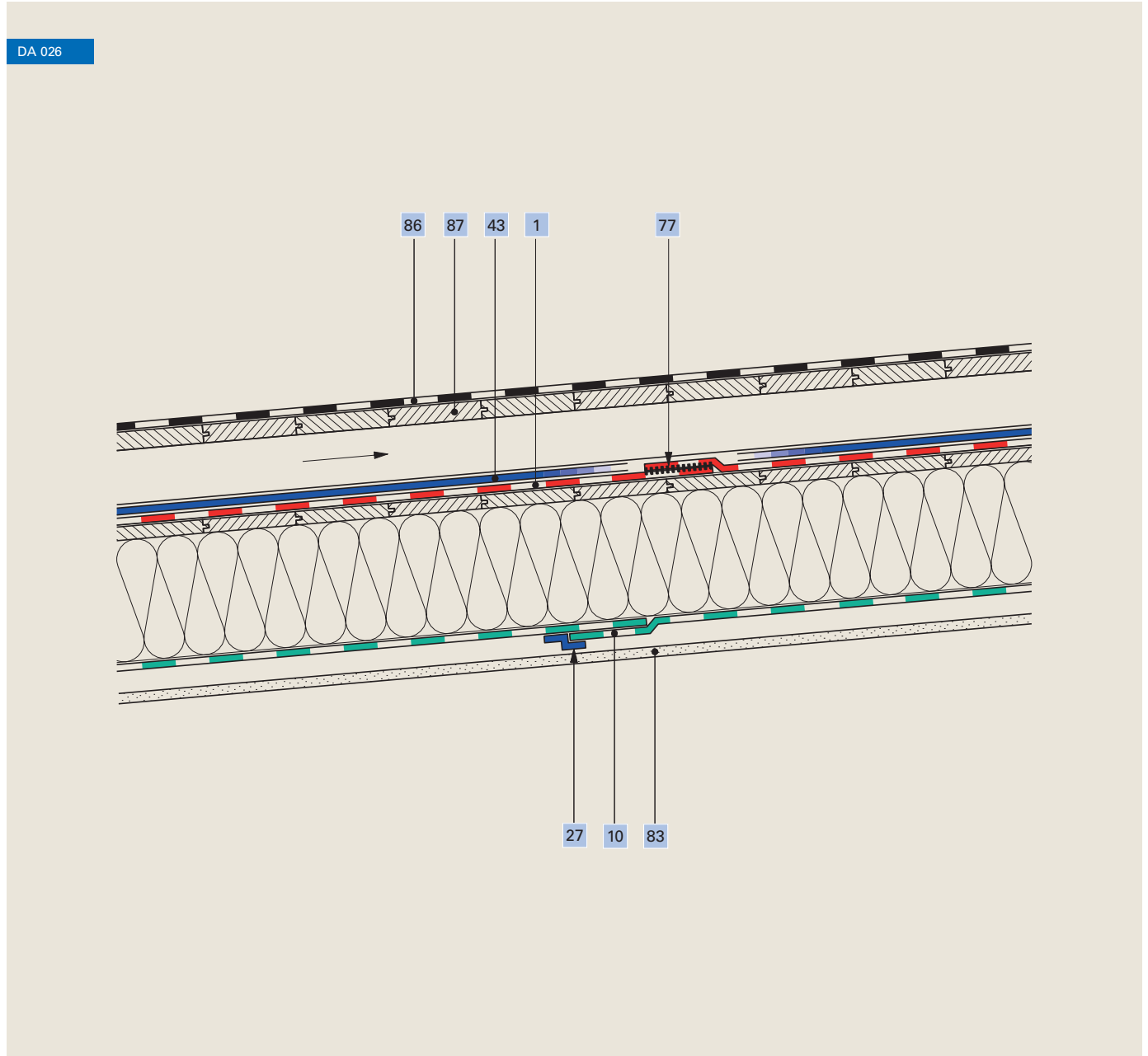
Weldable roof membrane



1	Weldable Roof membrane Ampatop® Seal	43	Nail sealing tape Ampacoll® ND.Band , from a roof pitch of 25°
10	Vapour check Ampatex® DB 90	77	Sealing by means of Ampacoll® LiquiSeal or heat
27	Adhesive tape Ampacoll® INT		

Roof

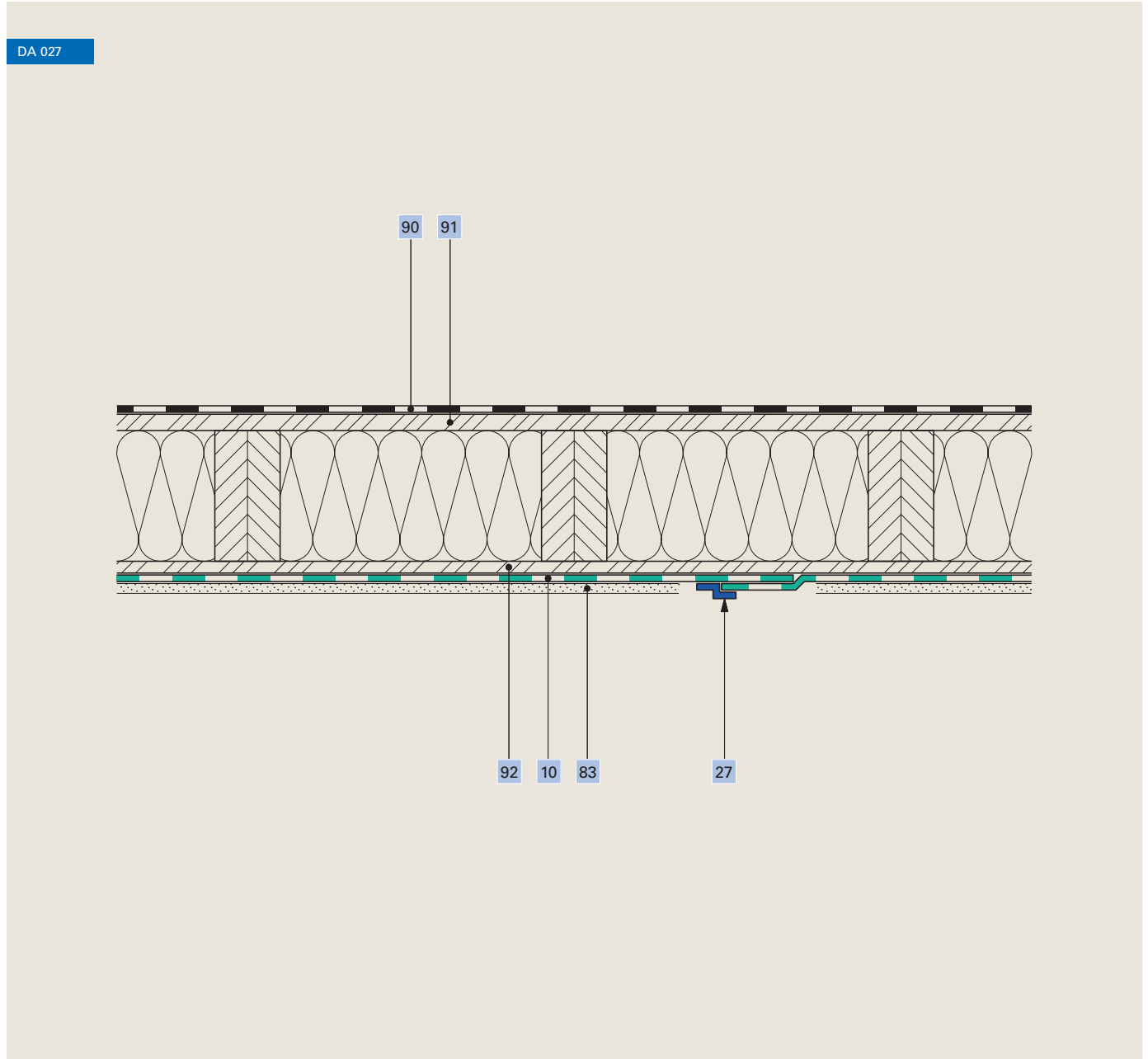
▀ Hipped roof with rear ventilation, roof pitch $\geq 5^\circ$



1	Weldable Roof membrane Ampatop® Seal		
10	Vapour check Ampatex® DB 90	43	Roof pitch < 25°: Ampacoll® ND duo Roof pitch $\geq 25^\circ$: Ampacoll® ND.Band
27	Adhesive tape Ampacoll® INT	77	Sealing by means of Ampacoll® LiquiSeal or heat
		83	Internal cladding
		86	Bitumen strip
		87	Formwork

Roof

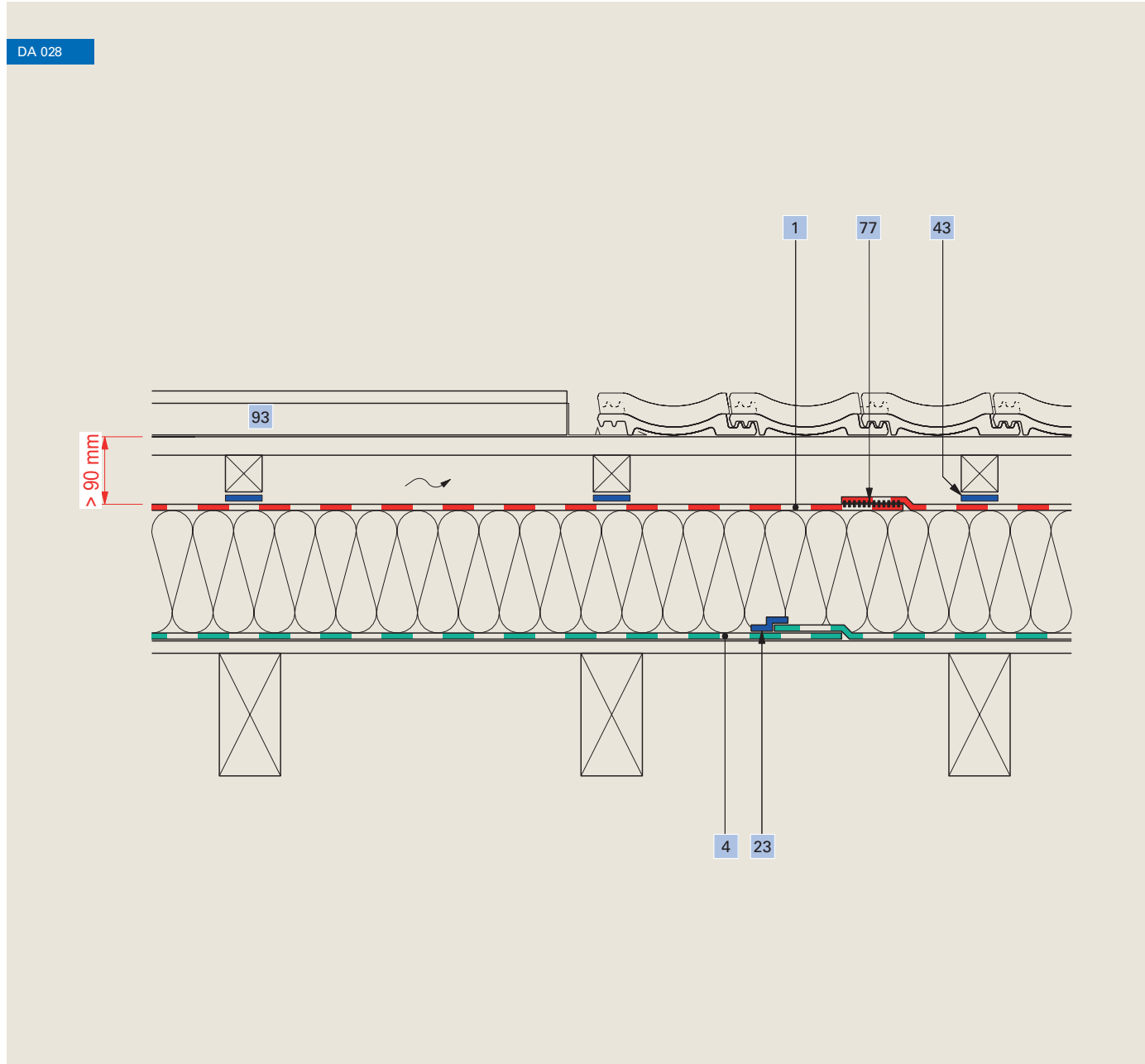
Flat roof with bituminous surface



10	Vapour check Ampatex® Variano (observe climatic and local conditions)	90	EPDM sealant
27	Adhesive tape Ampacoll® INT	91	OSB-3-board 25 mm
83	Internal cladding	92	OSB-3-board 18 mm

Roof

Solar and PV installations



1	Weldable Roof membrane Ampatop® Seal		Nail sealing tape
4	Formwork membrane Ampatex® Solero	43	Roof pitch < 25°: Ampacoll® ND duo Roof pitch ≥ 25°: Ampacoll® ND.Band
23	Adhesive tape Ampacoll® XT , 60 mm	77	Sealing by means of Ampacoll® LiquiSeal or heat
		93	Solar thermal installation