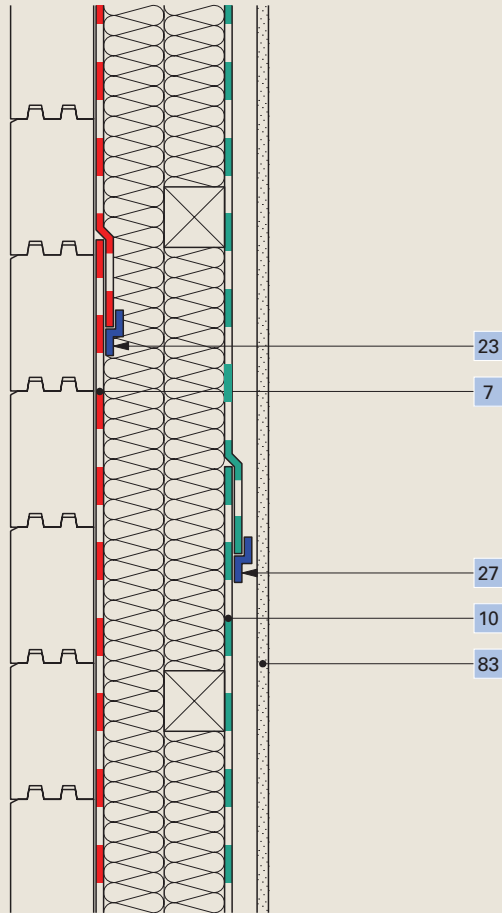


Façade, wood-panel wall

Supplementary internal insulation

FA 001



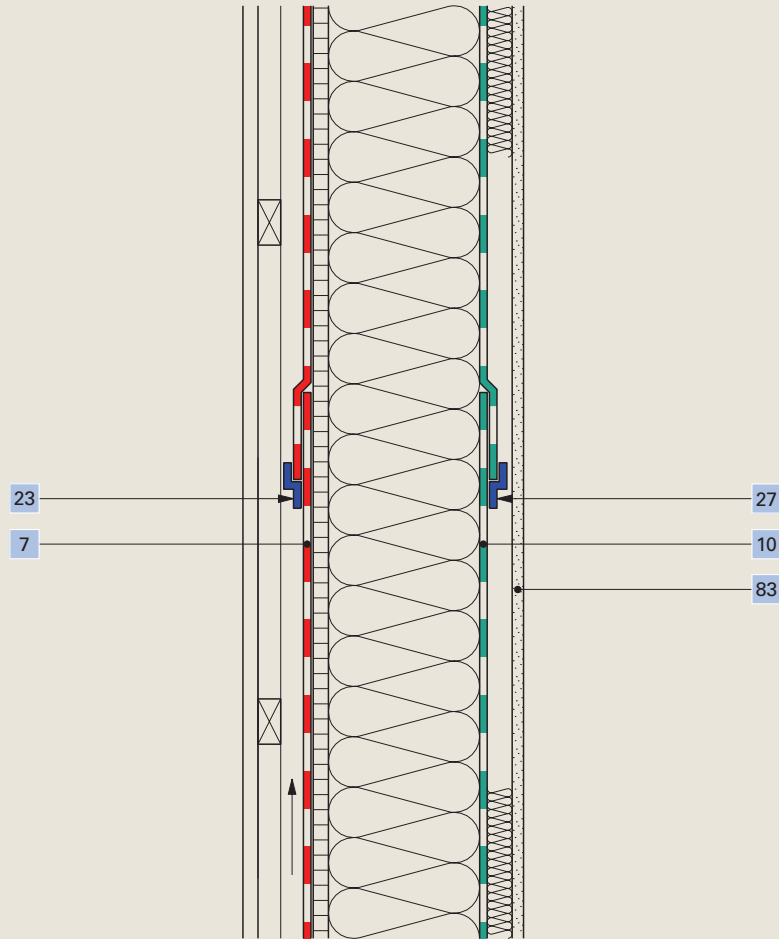
- 7 Wall membrane **Ampatop® Aero**
- 10 Vapour check **Ampatex® DB 90**
- 23 Adhesive tape **Ampacoll® XT, 60 mm**

- 27 Adhesive tape **Ampacoll® INT**
- 83 Inner cladding

Façade, stud wall

Back-ventilated

FA 002

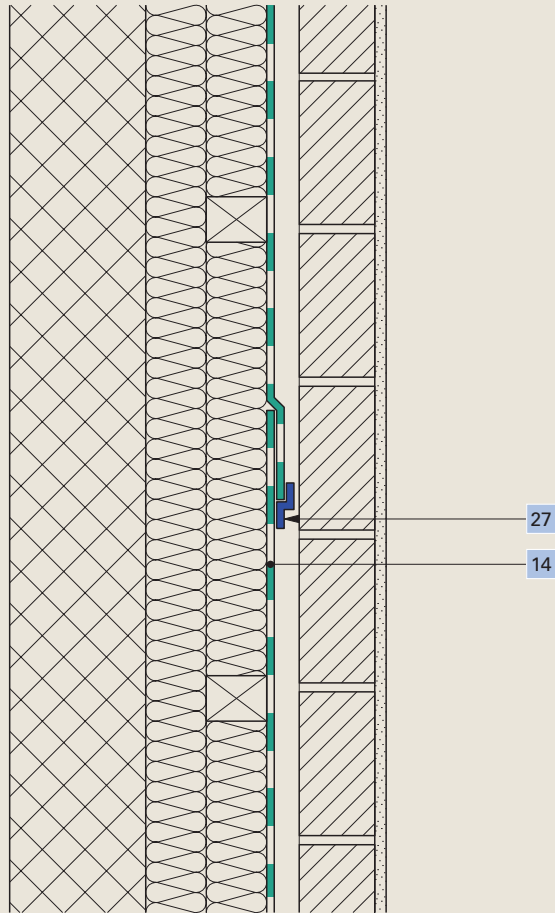


7	Wall membrane Ampatop® Aero	27	Adhesive tape Ampacoll® INT
10	Vapour check Ampatex® DB 90	83	Inner cladding
23	Adhesive tape Ampacoll® XT, 60 mm		

Façade, concrete wall

Internal insulation and facing wall

FA 003



14 Vapour barrier **Sisalex® 518**

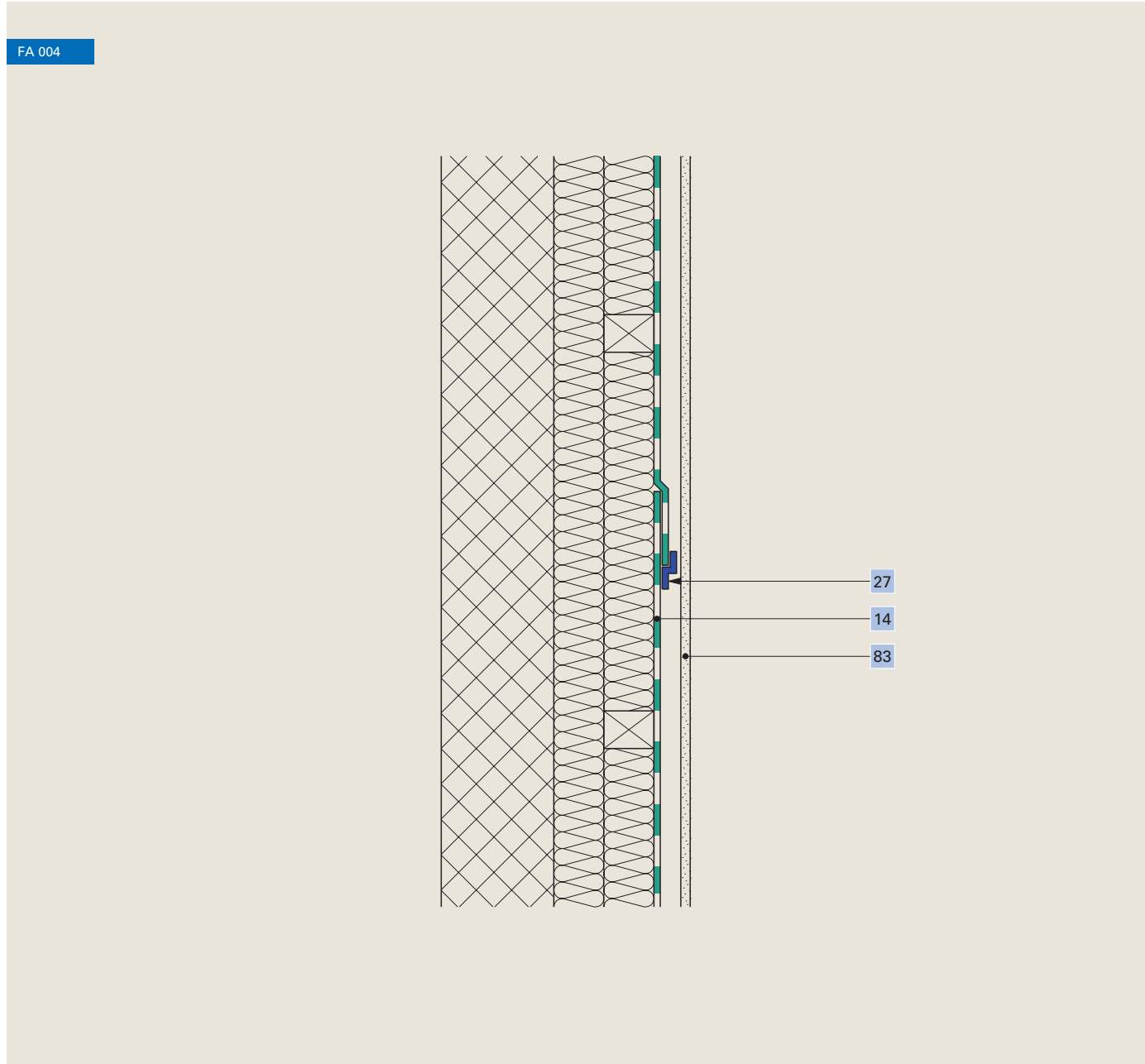
27 Adhesive tape **Ampacoll® INT**

Ampack Switzerland:
+41 (0)71 858 38 00
www.ampack.eu



Façade, concrete wall

Internal insulation with decorative shell and installation layers

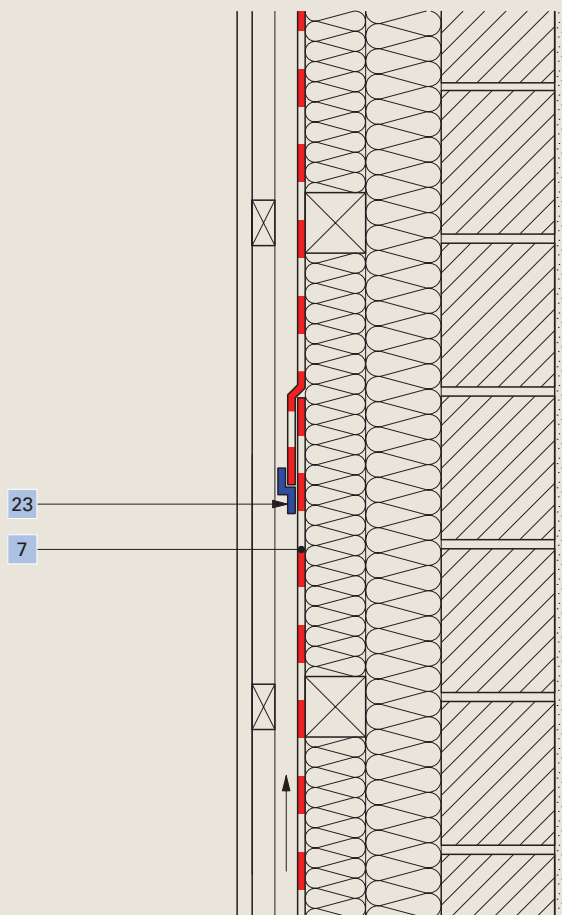


14	Vapour barrier Sisalex® 518
27	Adhesive tape Ampacoll® INT
83	Inner cladding

Façade, masonry

External insulation, back-ventilated

FA 005



7 Wall membrane **Ampatop® Aero**

23 Adhesive tape **Ampacoll® XT**, 60 mm

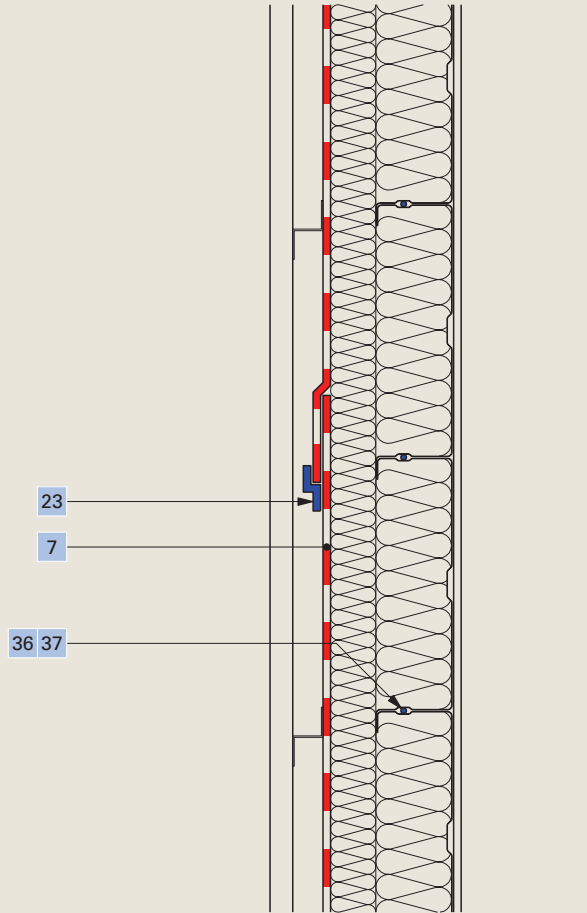
Ampack Switzerland:
+41 (0)71 858 38 00
www.ampack.eu



Façade, steel construction

External insulation with metal façade

FA 006



7 Wall membrane **Ampatop® Aero**

23 Adhesive tape **Ampacoll® XT**, 60 mm

36 Round cord **Ampacoll® RS**, 6 mm

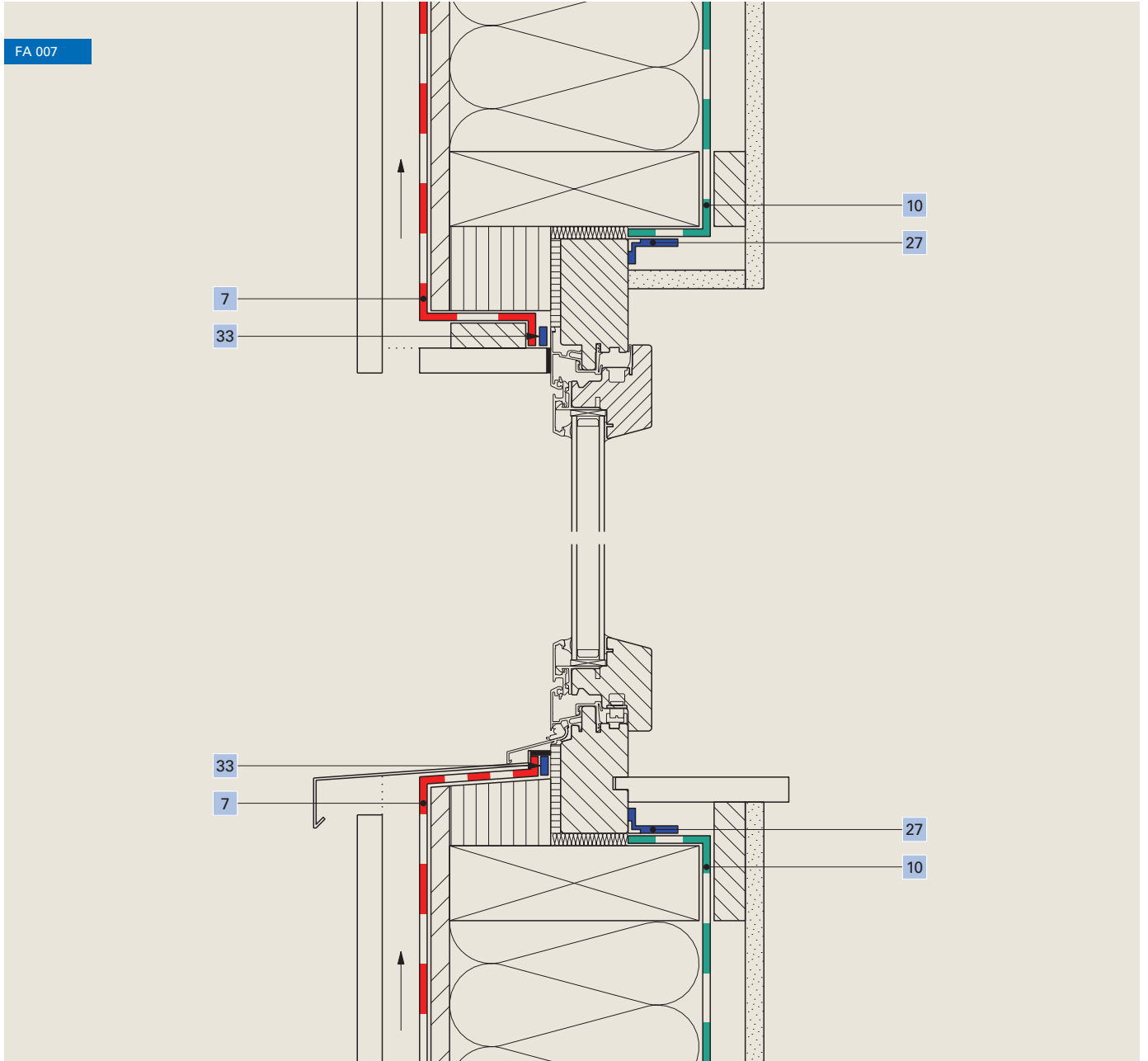
37 Round cord **Ampacoll® RS**, 10 mm

Ampack Switzerland:
+41 (0)71 858 38 00
www.ampack.eu



Façade, wood construction

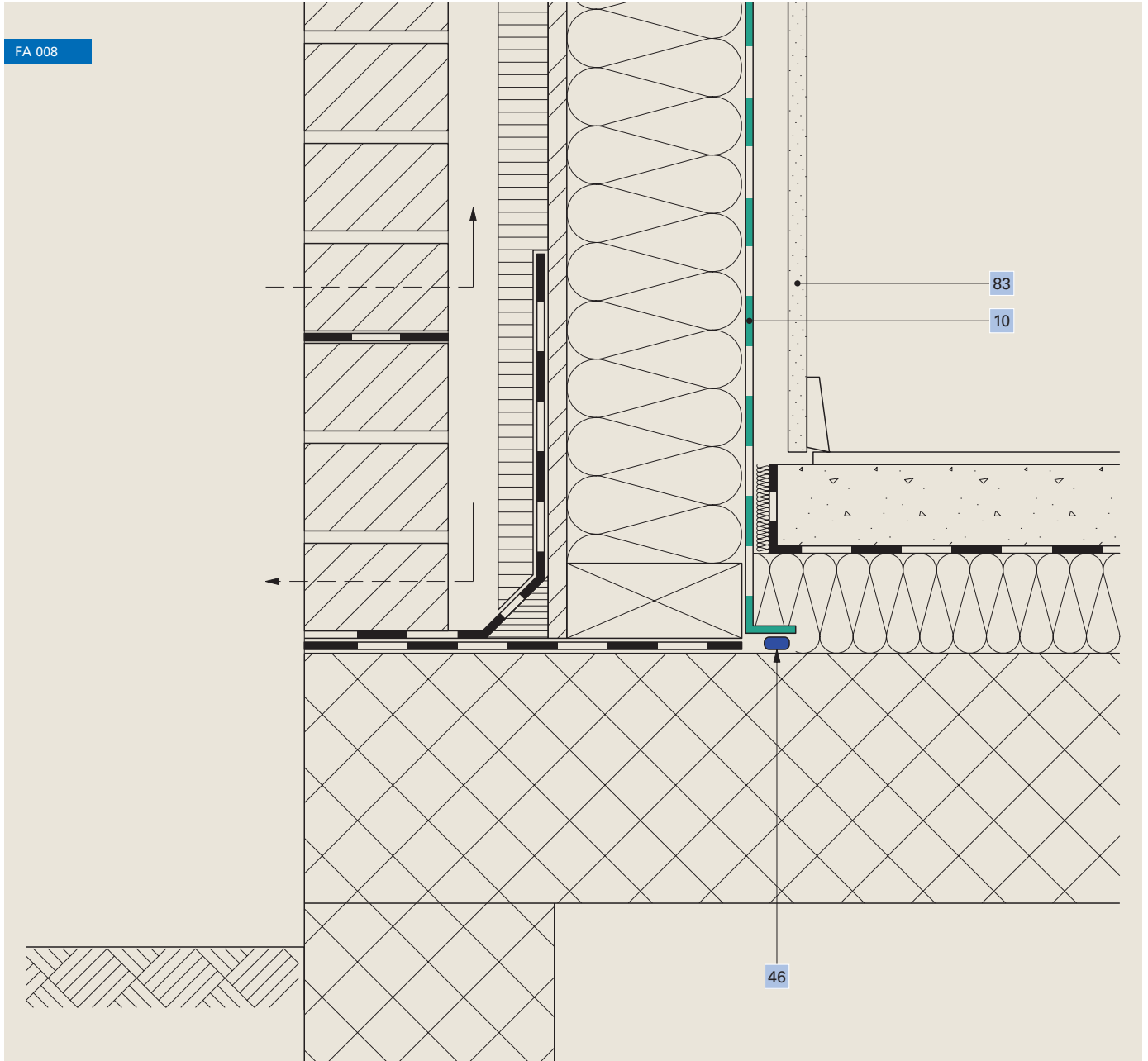
Bond between wind seal and window



7	Wall membrane Ampatop® Aero	27	Adhesive tape Ampacoll® FE
10	Vapour check Ampatex® DB 90	33	Adhesive tape Ampacoll® BK 530, 15 mm

Façade, brick façade

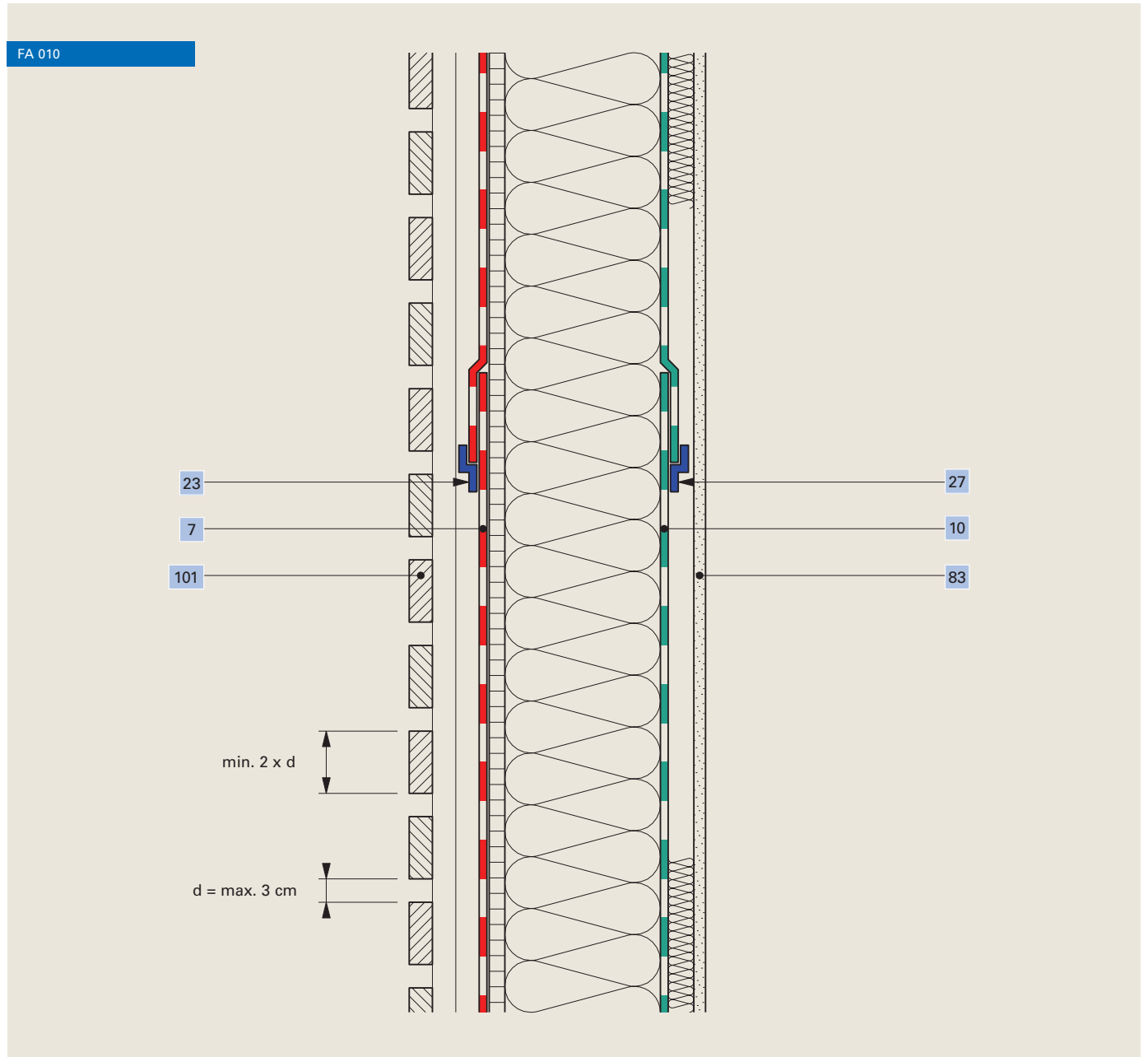
Skirting board detail, wood construction



10	Vapour check Ampatex® DB 90
46	Liquid adhesive Ampacoll® Superfix
83	Inner cladding

Façade, stud wall

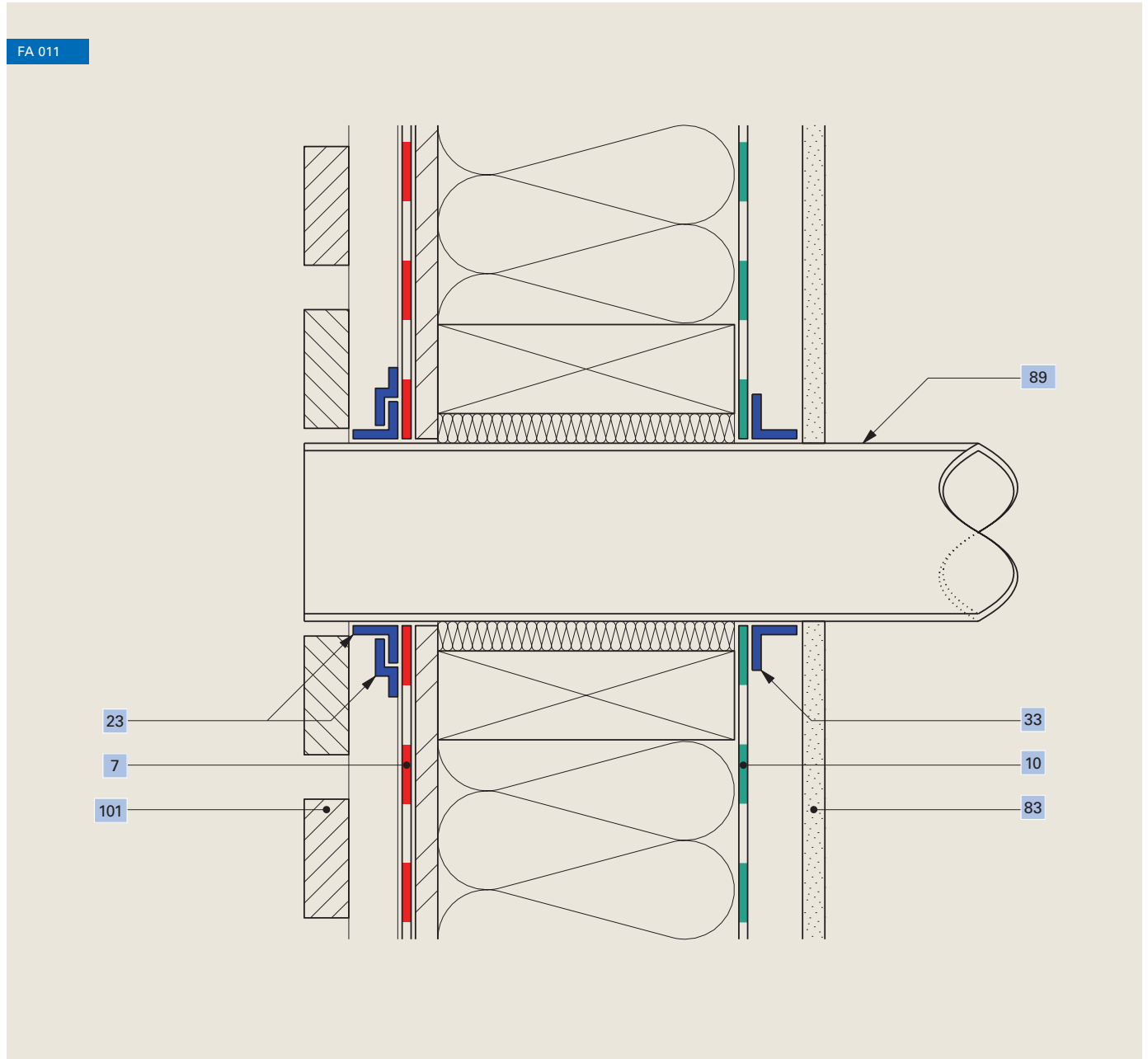
■ Façade with open gaps



7	Wall membrane Ampatop® F black	27	Adhesive tape Ampacoll® INT
10	Vapour check Ampatex® DB 90	83	Internal cladding
23	Adhesive tape Ampacoll® UV	101	External cladding

Façade, stud wall

► Façade with open gaps, penetration



7	Wall membrane Ampatop® F black	83	Internal cladding
10	Vapour check Ampatex® DB 90	89	Ventilation duct
23	Adhesive tape Ampacoll® UV	101	External cladding
33	Adhesive tape Ampacoll® BK 535, 50 mm		