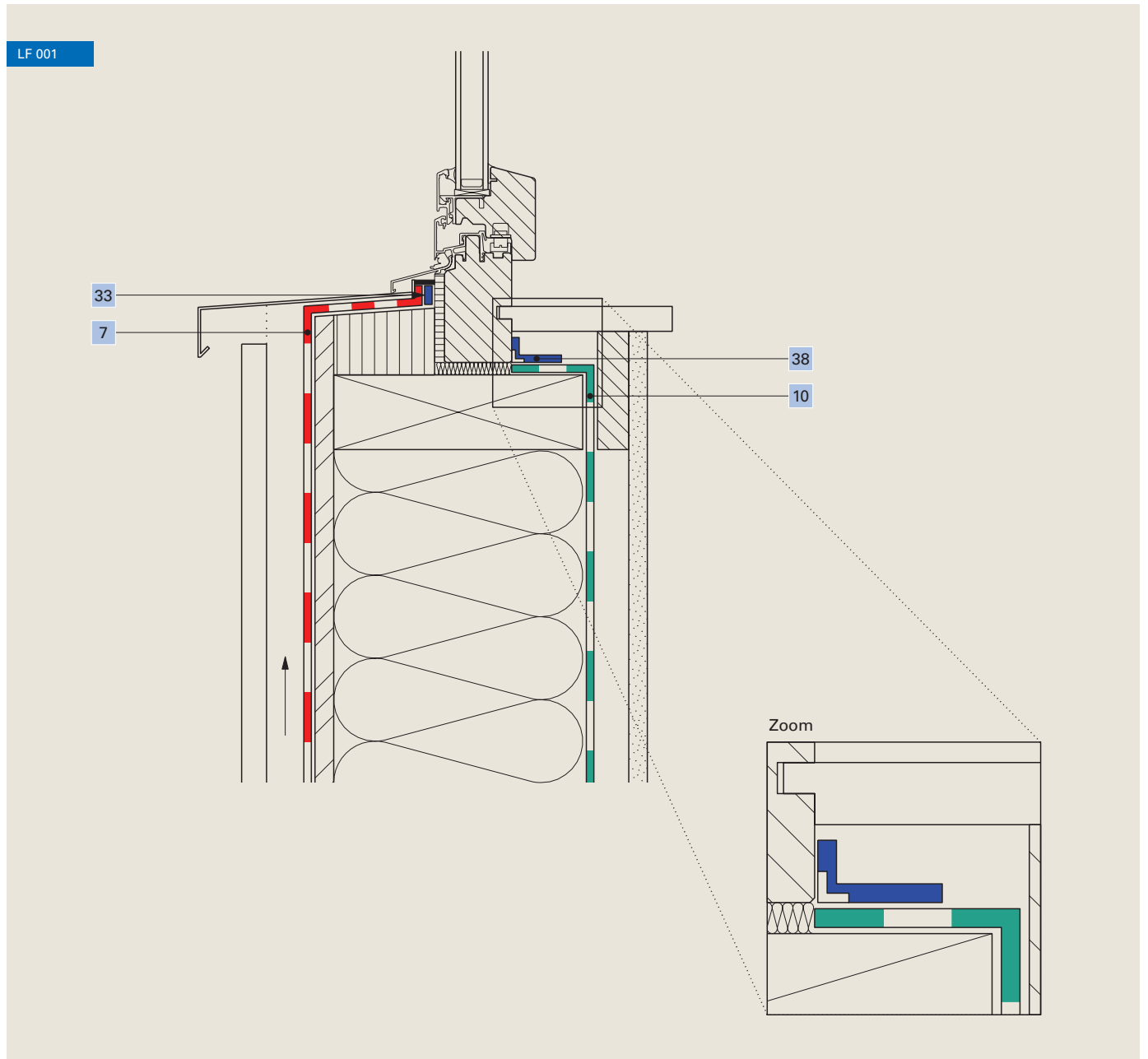


# Air tightness, window installation, parapet

Use of special tapes, wood construction

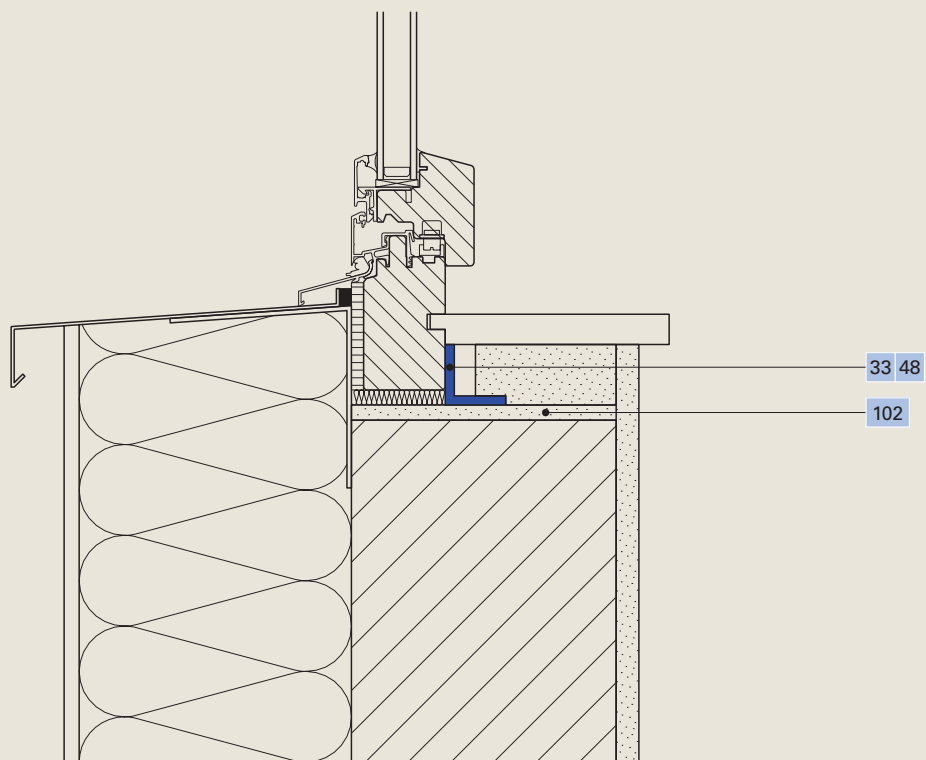


7	Wall membrane <b>Ampatop® Aero (plus)</b>	33	Adhesive tape <b>Ampacoll® BK 530</b> , 15 mm
10	Vapour check <b>Ampatex® DB 90</b>	38	Adhesive tape <b>Ampacoll® FE</b>

# Air tightness, window installation, parapet

Use of special tapes, masonry construction

LF 002



33 48 Adhesive tape **Ampacoll® BK 535**, 80 mm/  
**Ampacoll® Primax**

102 Base plaster coat before fitting window

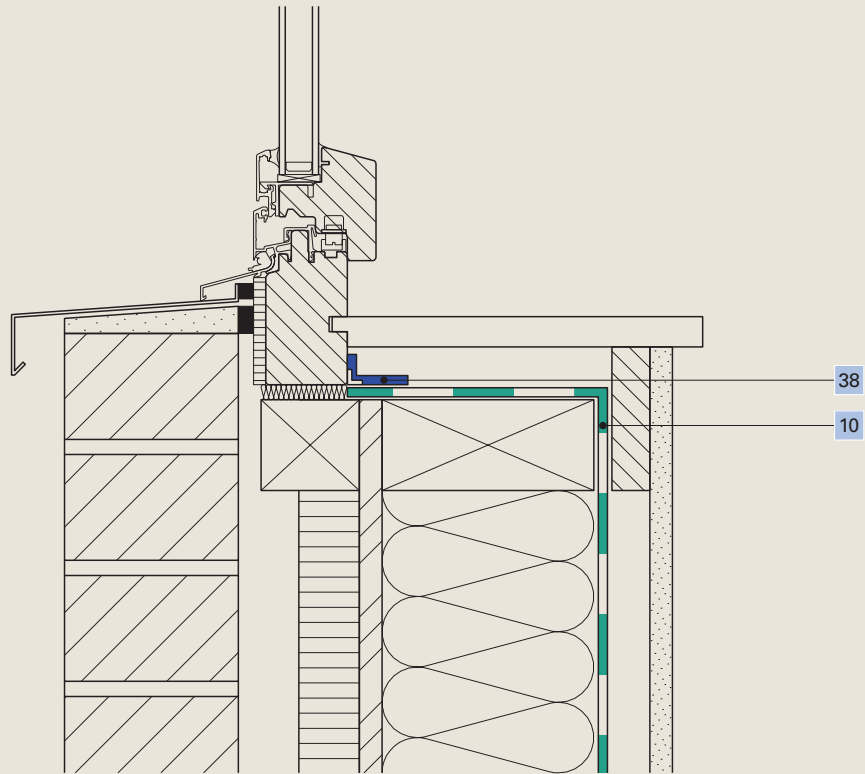
Ampack Switzerland:  
+41 (0)71 858 38 00  
www.ampack.eu



# Air tightness, window installation, parapet

Wood construction with clinker façade

LF 003



10 Vapour check **Ampatex® DB 90**

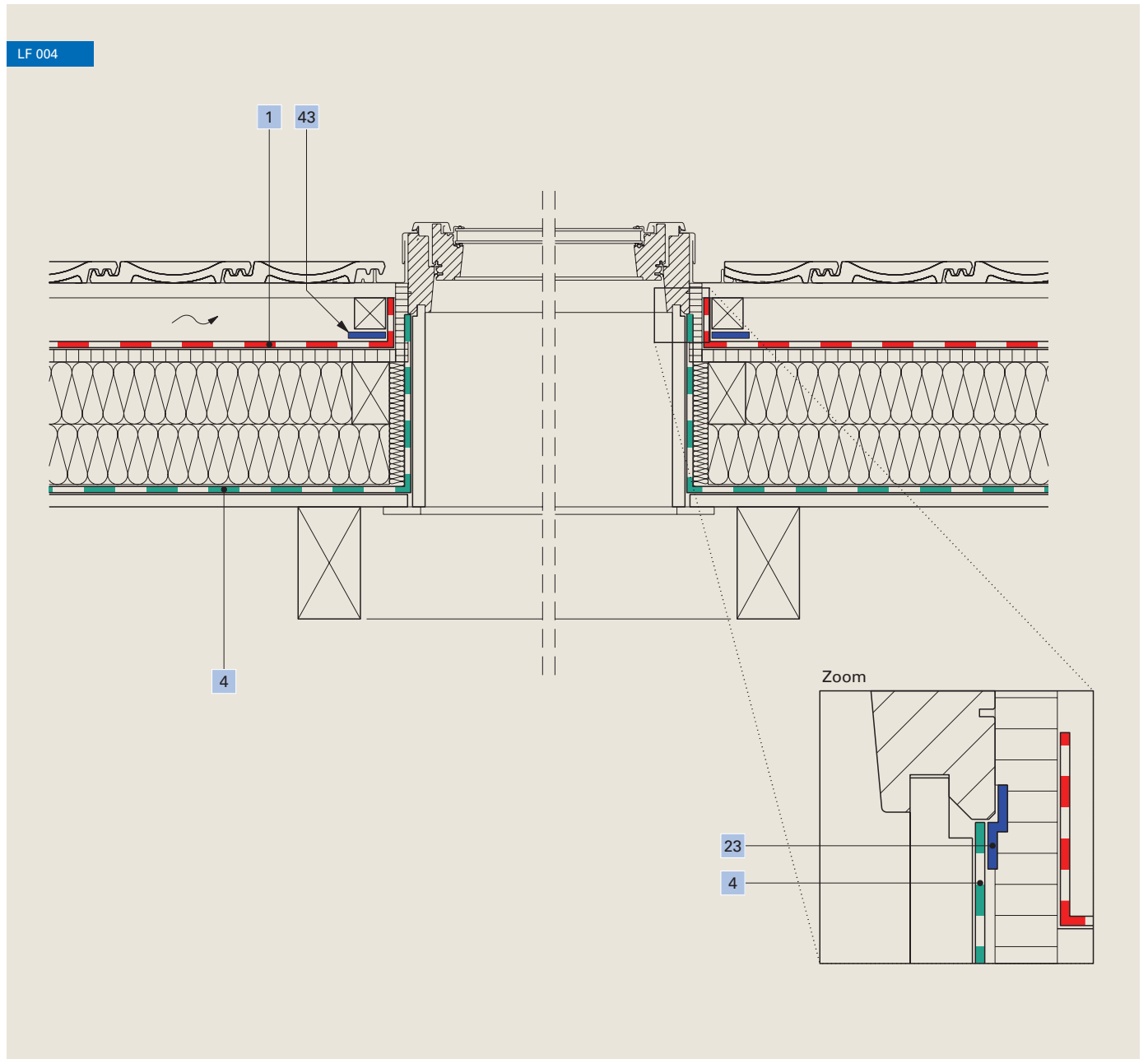
38 Adhesive tape **Ampacoll® FE**

Ampack Switzerland:  
+41 (0)71 858 38 00  
www.ampack.eu



# Air tightness, window installation, dormer window

Side reveal, rafter-mounted insulation



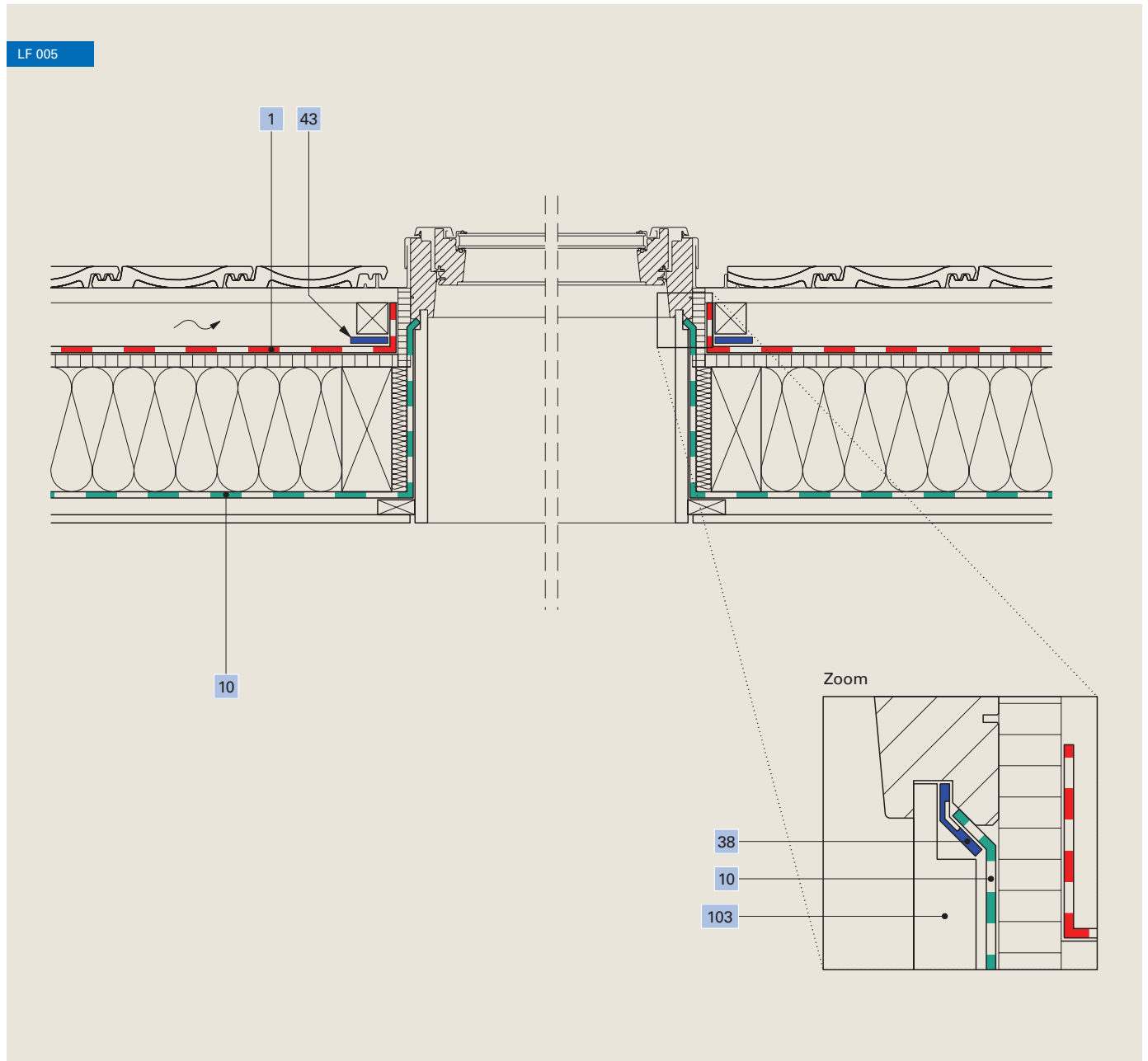
1	Roof membrane <b>Ampatop® Protecta (plus)</b>	23	Adhesive tape <b>Ampacoll® XT</b> , 60 mm
4	Formwork membrane <b>Ampatex® Solero</b>	43	Nail sealing tape <b>Ampacoll® ND.Band</b>

Ampack Switzerland:  
+41 (0)71 858 38 00  
www.ampack.eu



# Air tightness, window installation, dormer window

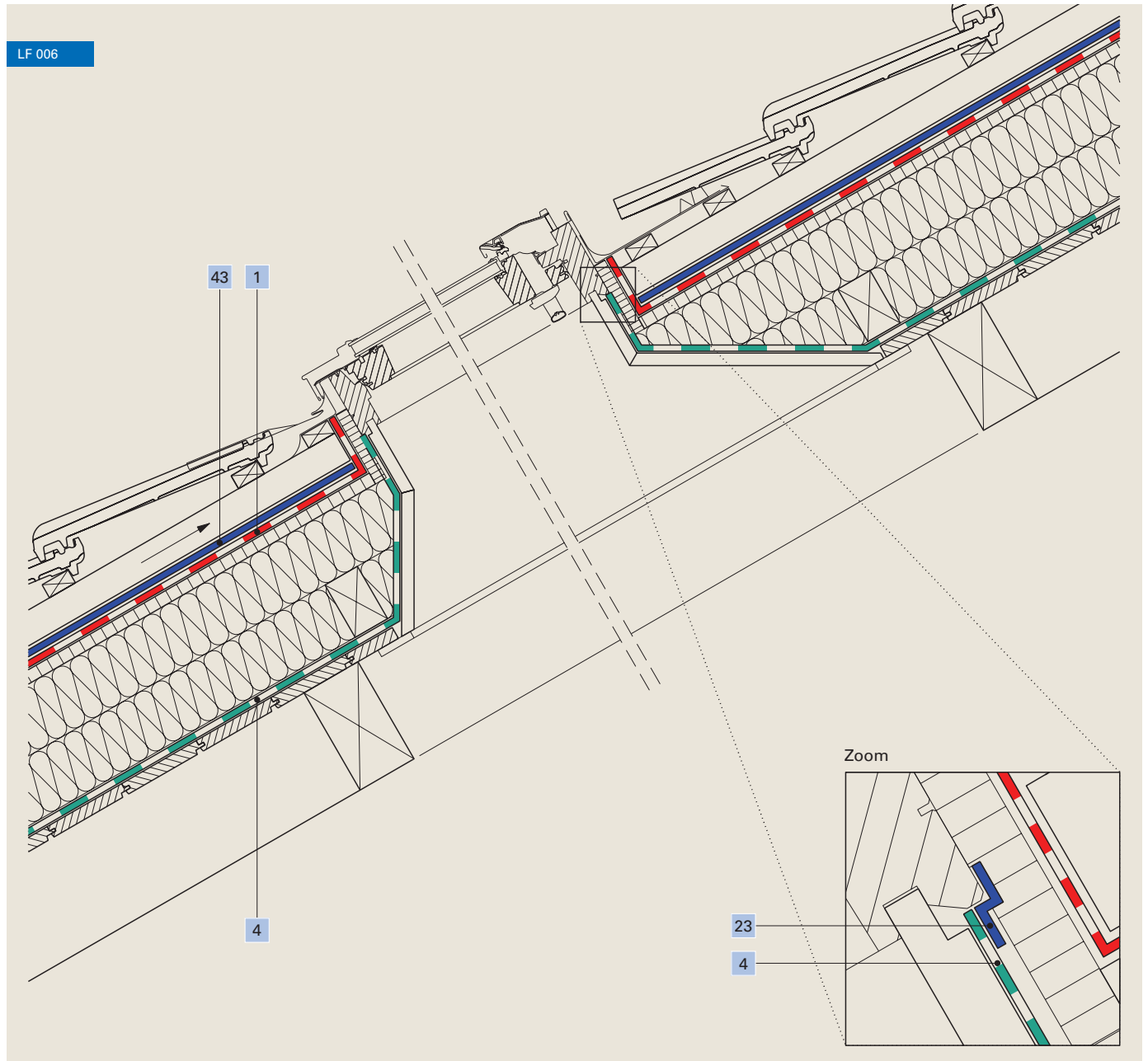
Side reveal, insulation between rafters



1	Roof membrane <b>Ampatop® Protecta (plus)</b>	43	Nail sealing tape <b>Ampacoll® ND.Band</b>
10	Vapour check <b>Ampatex® DB 90</b>	103	Window frame
38	Adhesive tape <b>Ampacoll® FE</b> , with mechanical securing by window frame		

# Air tightness, window installation, dormer window

▀ Ledge and parapet, rafter-mounted insulation



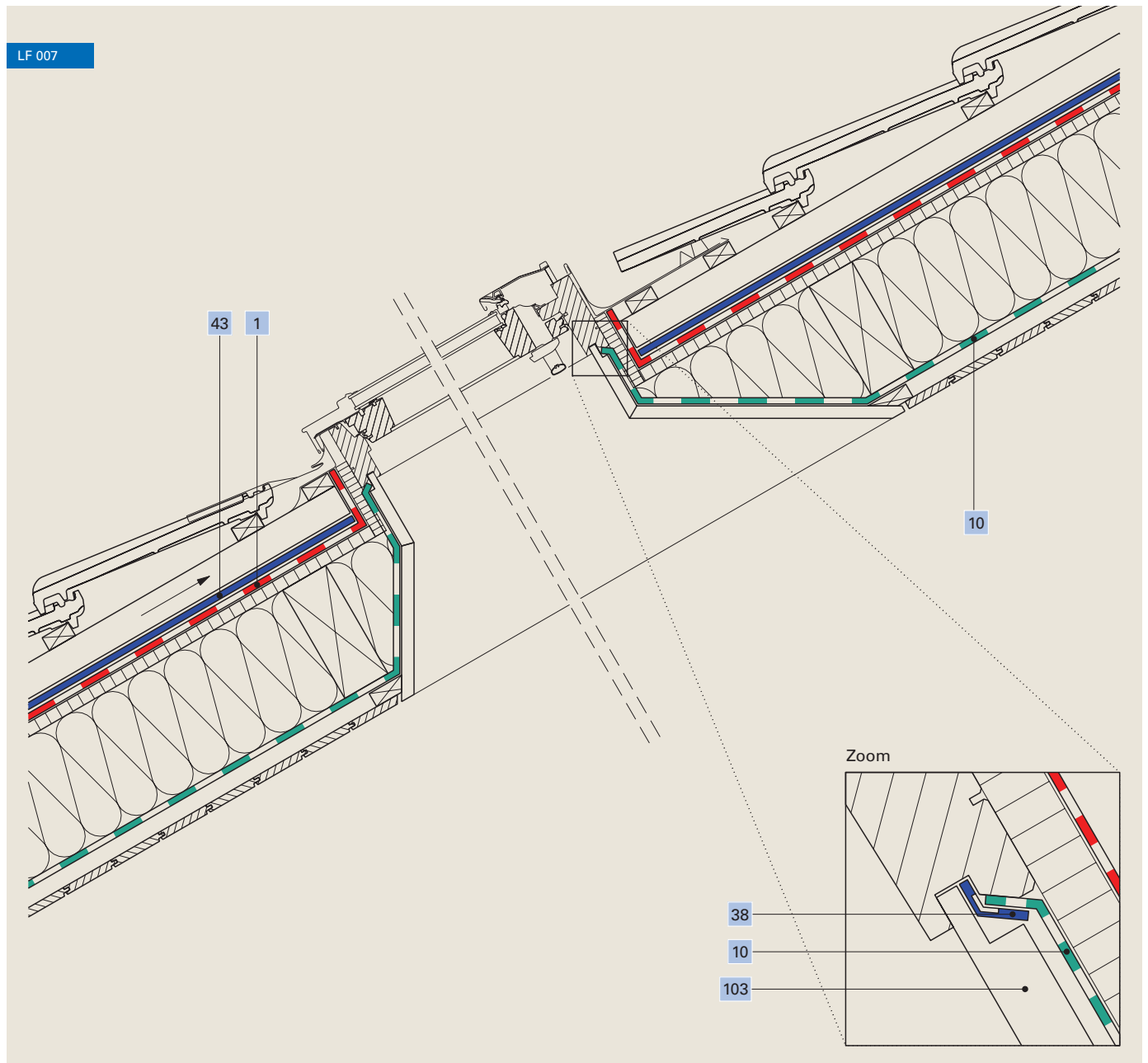
1	Roof membrane <b>Ampatop® Protecta (plus)</b>	23	Adhesive tape <b>Ampacoll® XT</b> , 60 mm
4	Formwork membrane <b>Ampatex® Solero</b>	43	Nail sealing tape <b>Ampacoll® ND.Band</b>

Ampack Switzerland:  
+41 (0)71 858 38 00  
www.ampack.eu



# Air tightness, window installation, dormer window

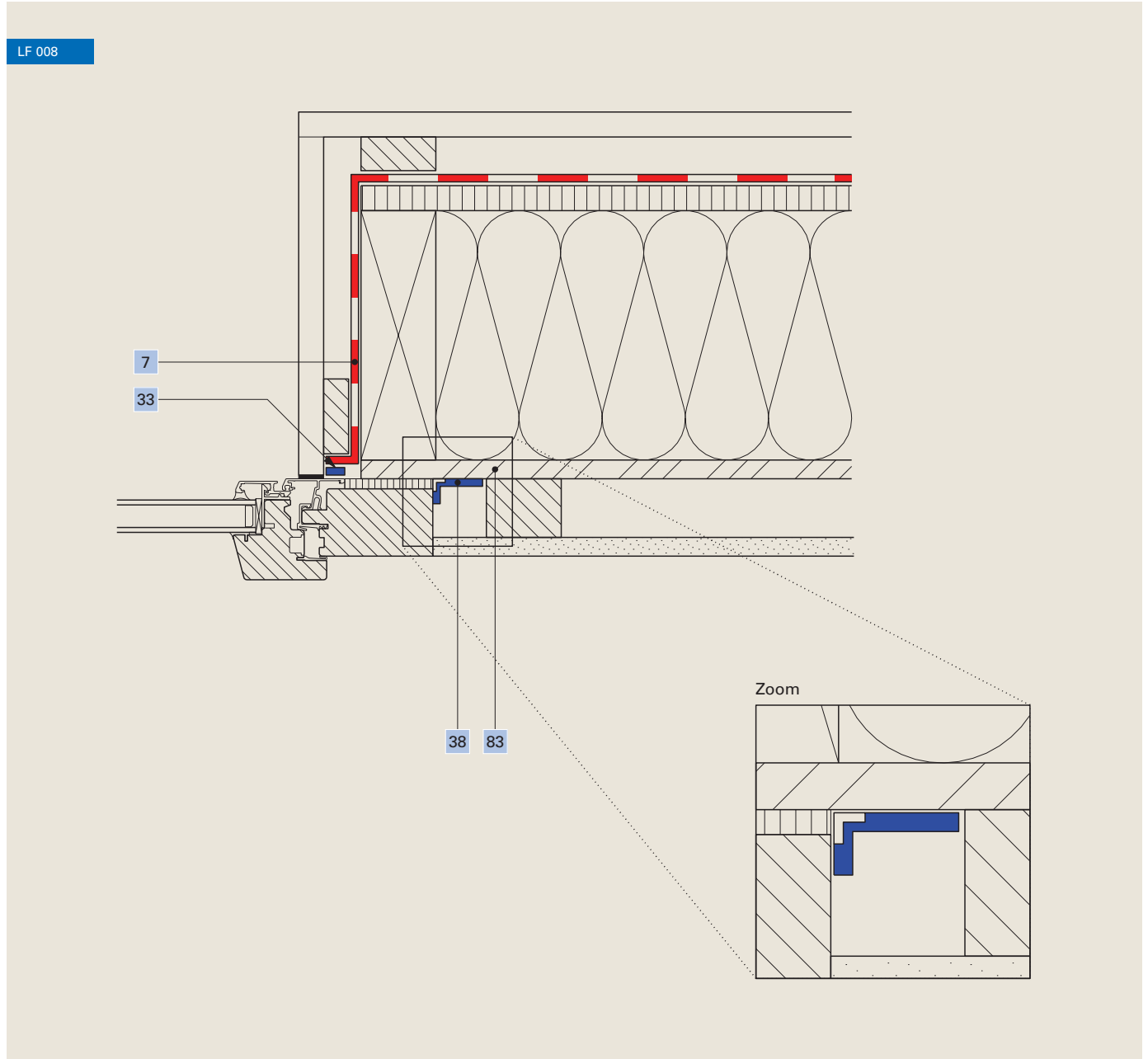
▀ Ledge and parapet, rafter-mounted insulation



1	Roof membrane <b>Ampatop® Protecta (plus)</b>	43	Nail sealing tape <b>Ampacoll® ND.Band</b>
10	Vapour check <b>Ampatex® DB 90</b>	103	Window frame
38	Adhesive tape <b>Ampacoll® FE</b> , with mechanical securing by window frame		

# Air tightness, window installation, fitted window

Use of special tapes, wood construction

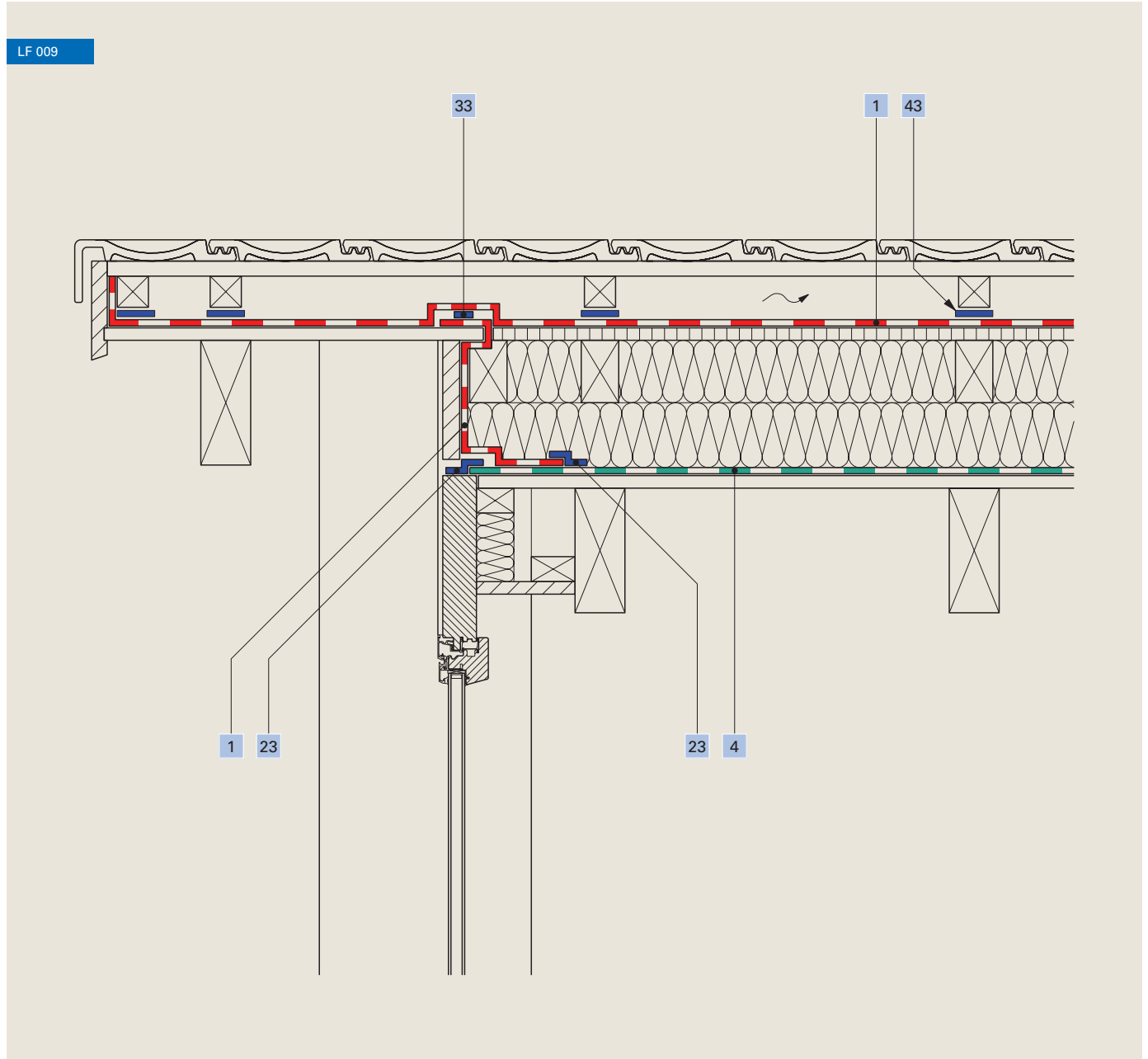


7	Wall membrane <b>Ampatop® Aero (plus)</b>	38	Adhesive tape <b>Ampacoll® FE</b>
33	Adhesive tape <b>Ampacoll® BK 530, 15 mm</b>	83	Inner cladding (airtight)



# Air tightness, window installation, gable window

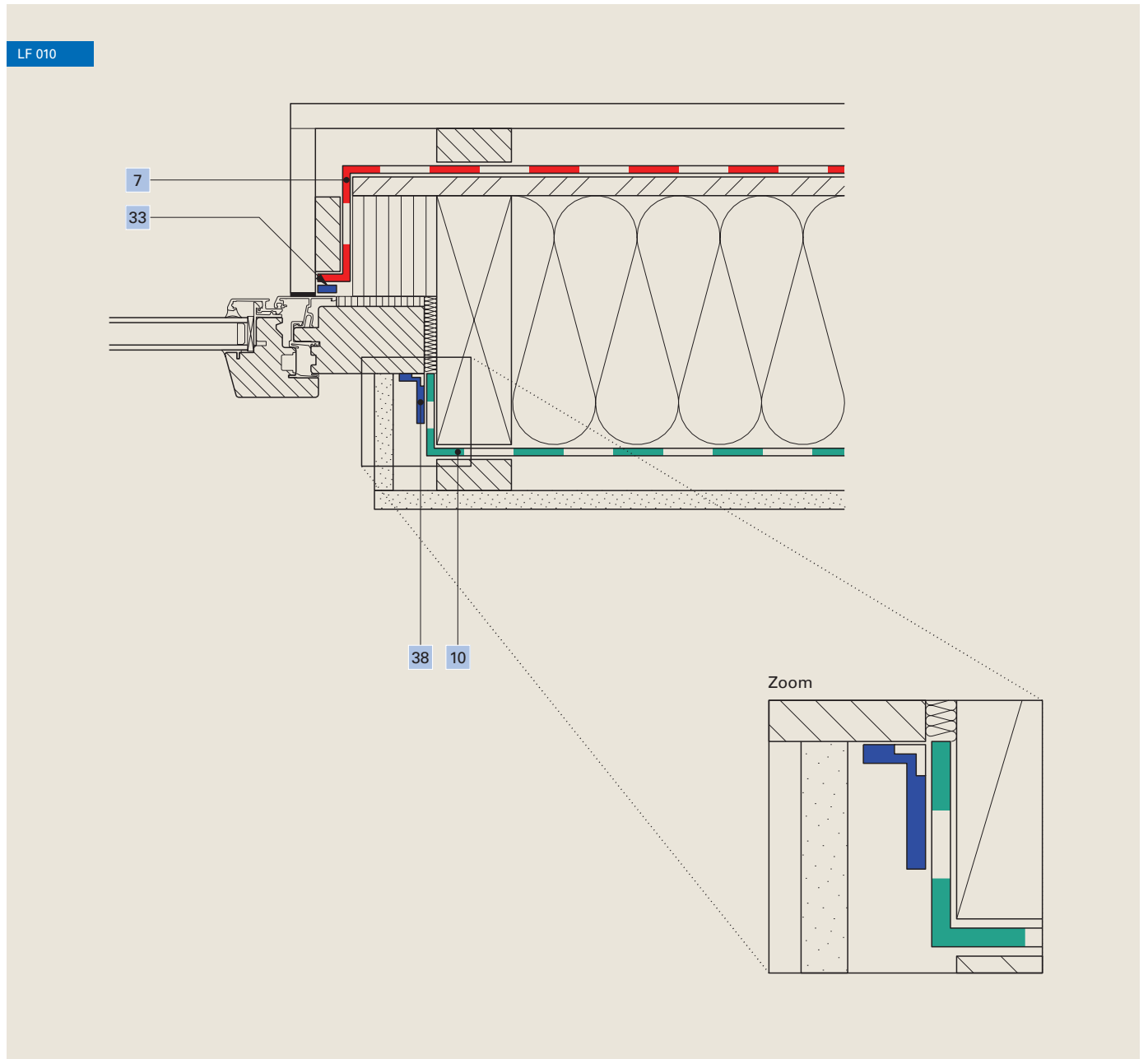
Rafter-mounted insulation



1	Roof membrane <b>Ampatop® Protecta (plus)</b>	33	Adhesive tape <b>Ampacoll® BK 530</b> , 20 mm
4	Formwork membrane <b>Ampatex® Solero</b>	43	Nail sealing tape <b>Ampacoll® ND.Band</b>
23	Adhesive tape <b>Ampacoll® XT</b> , 60 mm		

# Air tightness, window installation, reveal

Use of special tapes, wood construction

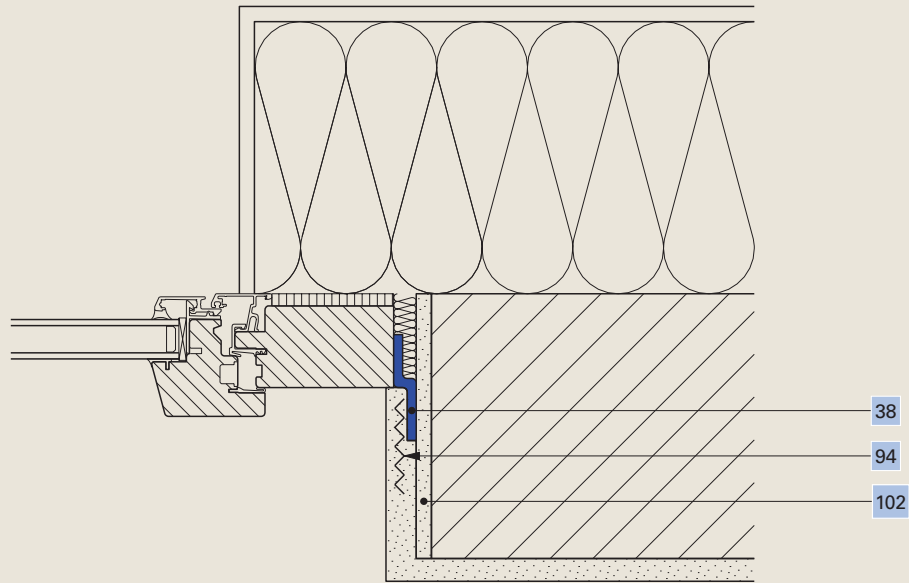


7	Wall membrane <b>Ampatop® Aero (plus)</b>	33	Adhesive tape <b>Ampacoll® BK 530</b> , 15 mm
10	Vapour check <b>Ampatex® DB 90</b>	38	Adhesive tape <b>Ampacoll® FE</b>

## Air tightness, window installation, reveal

Use of special tapes, masonry construction

LF 011

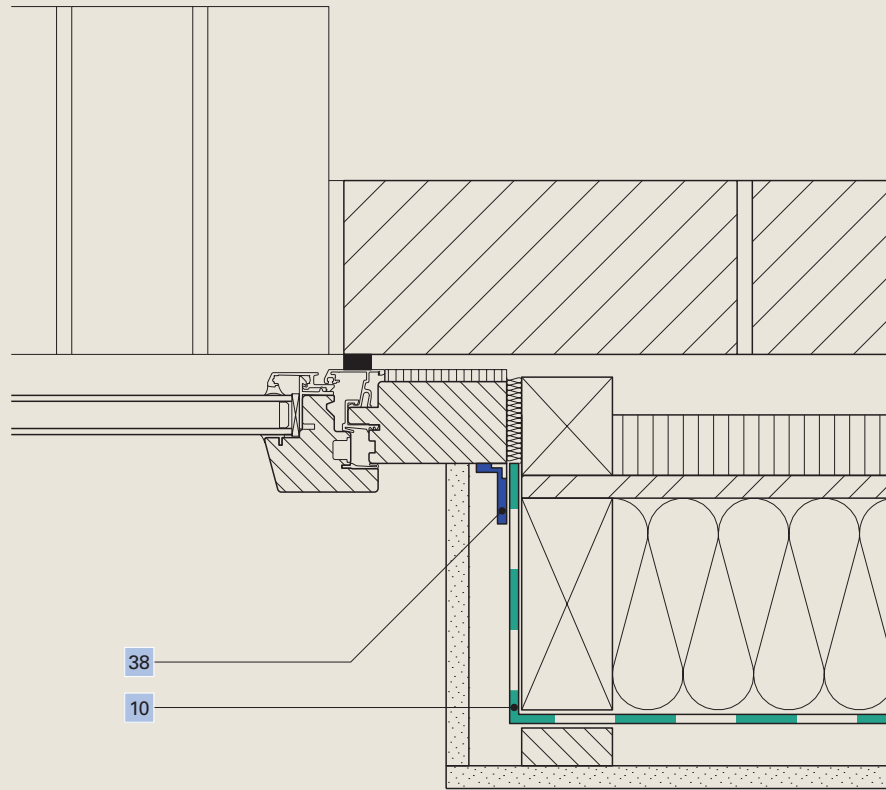


- |     |   |
|-----|---|
| 38  | Adhesive tape <b>Ampacoll® F</b>          |
| 94  | Support for plaster (e.g. expanded metal) |
| 102 | Base plaster coat before fitting window   |

# Air tightness, window installation, reveal

Wood construction with clinker façade

LF 012



10 Vapour check **Ampatex® DB 90**

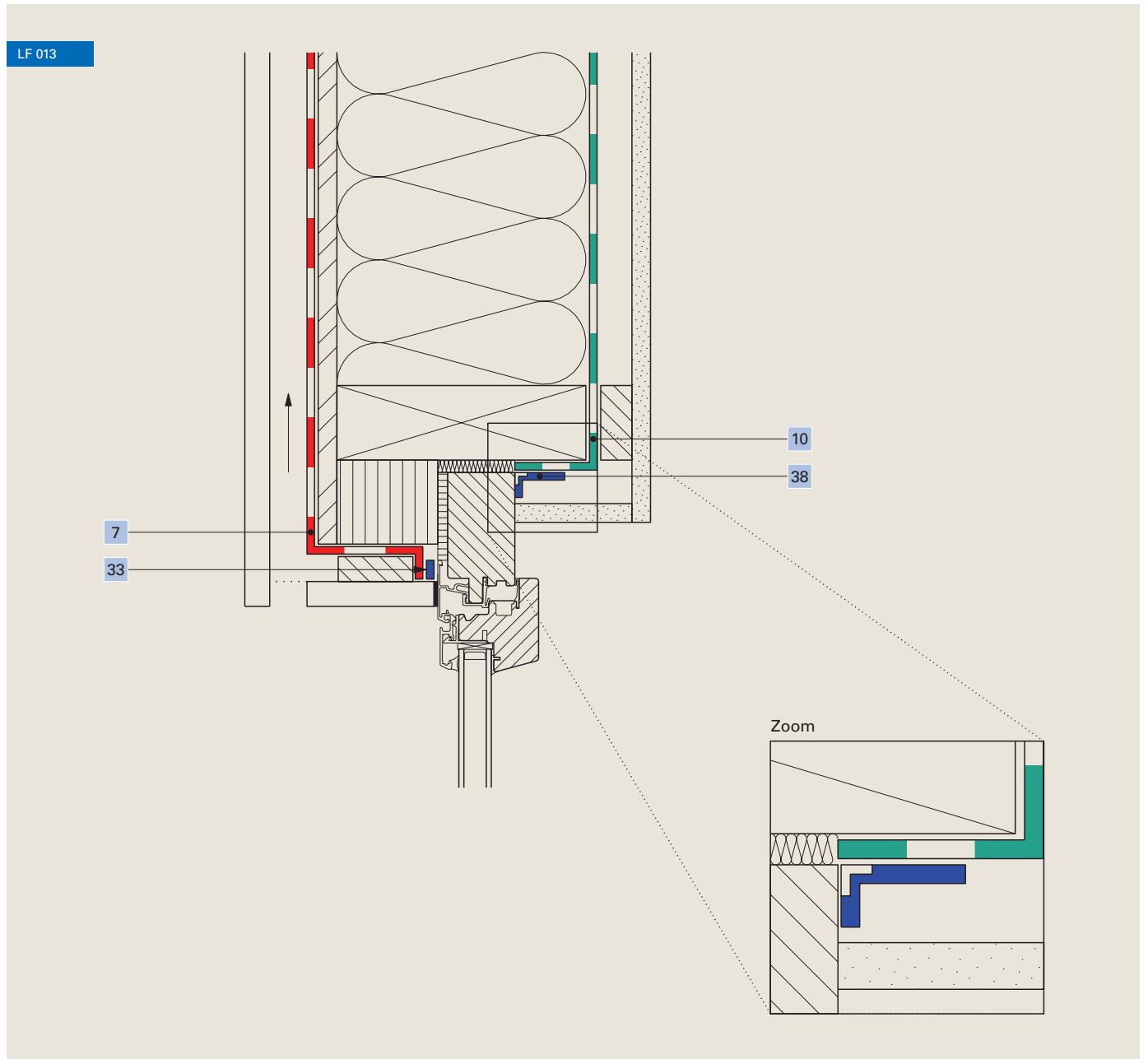
38 Adhesive tape **Ampacoll® FE**

Ampack Switzerland:  
+41 (0)71 858 38 00  
www.ampack.eu



# Air tightness, window installation, ledge

Use of special tapes, wood construction

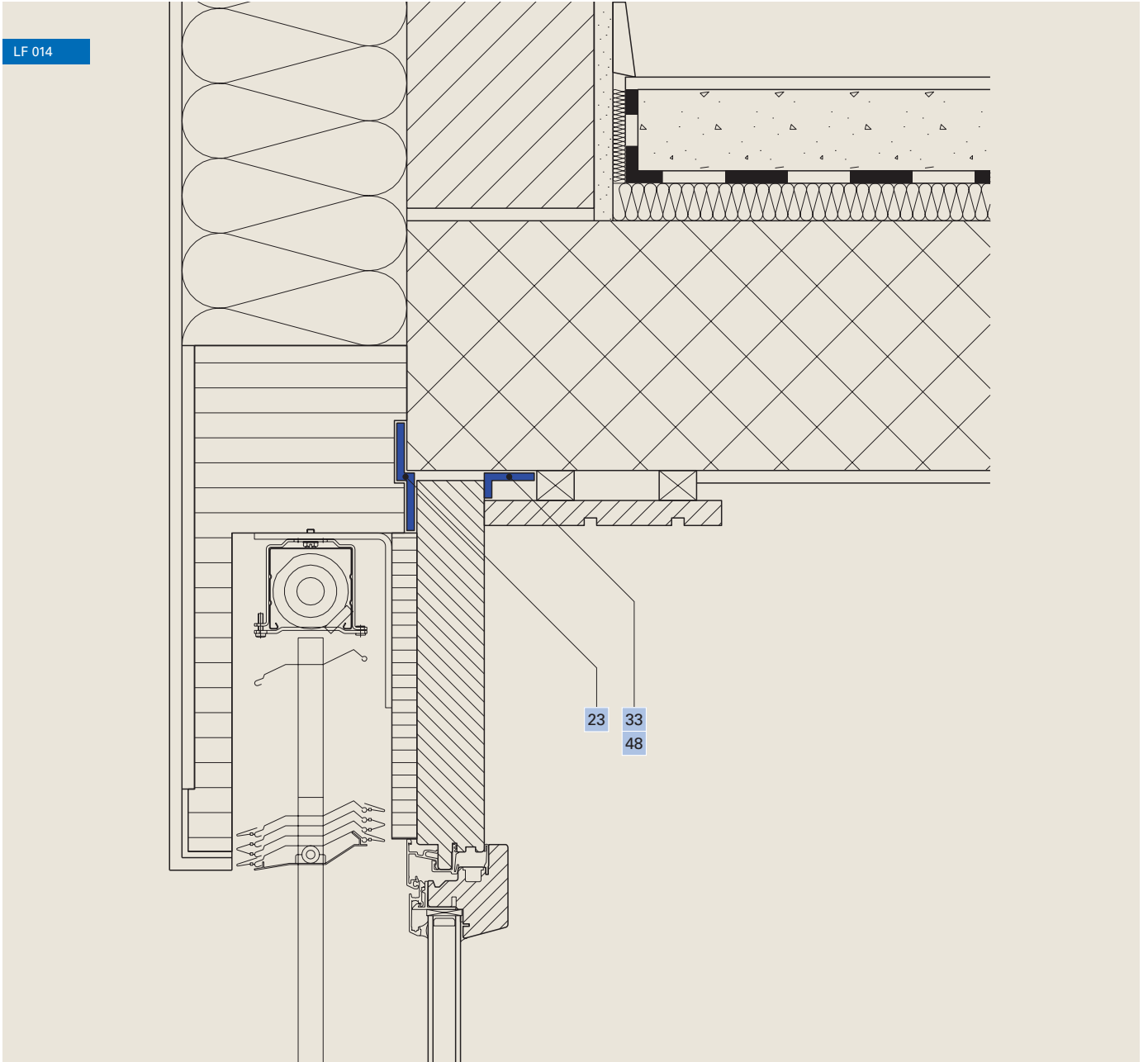


7	Wall membrane <b>Ampatop® Aero (plus)</b>	33	Adhesive tape <b>Ampacoll® BK 530</b> , 15 mm
10	Vapour check <b>Ampatex® DB 90</b>	38	Adhesive tape <b>Ampacoll® FE</b>

# Air tightness, window installation, ledge

Use of special tapes, masonry construction

LF 014



23 Adhesive tape **Ampacoll® XT**, 60 mm

33 48 Adhesive tape **Ampacoll® BK 535**, 50 mm/  
**Ampacoll® Primax**

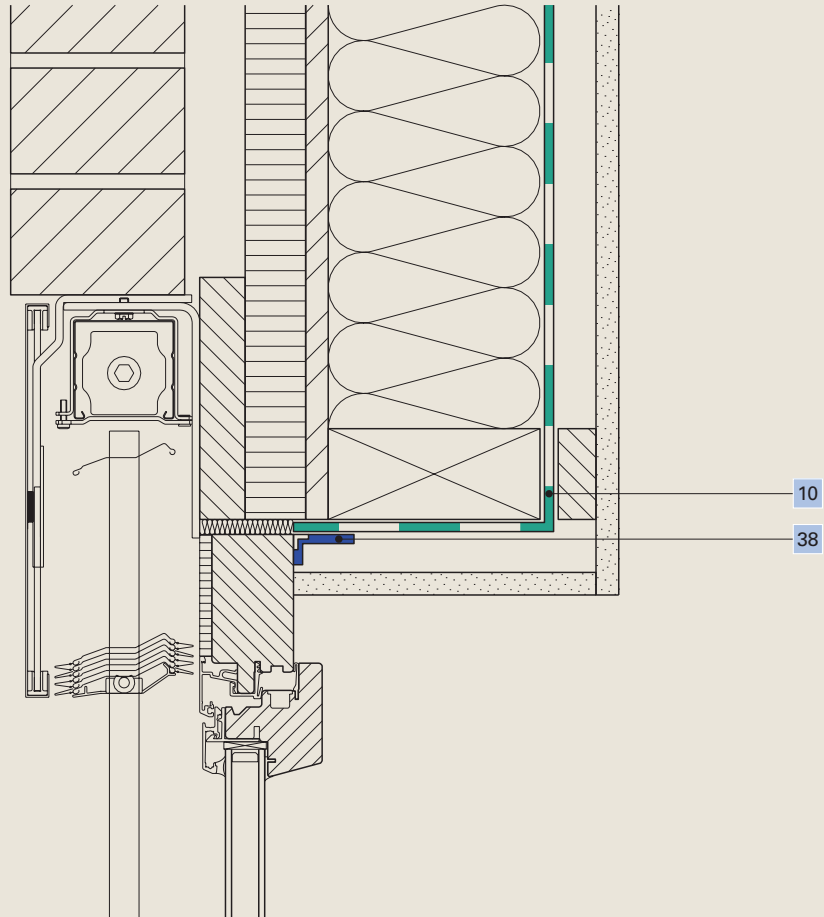
Ampack Switzerland:  
+41 (0)71 858 38 00  
www.ampack.eu



# Air tightness, window installation, ledge

Wood construction with clinker façade

LF 015



10 Vapour check **Ampatex® DB 90**

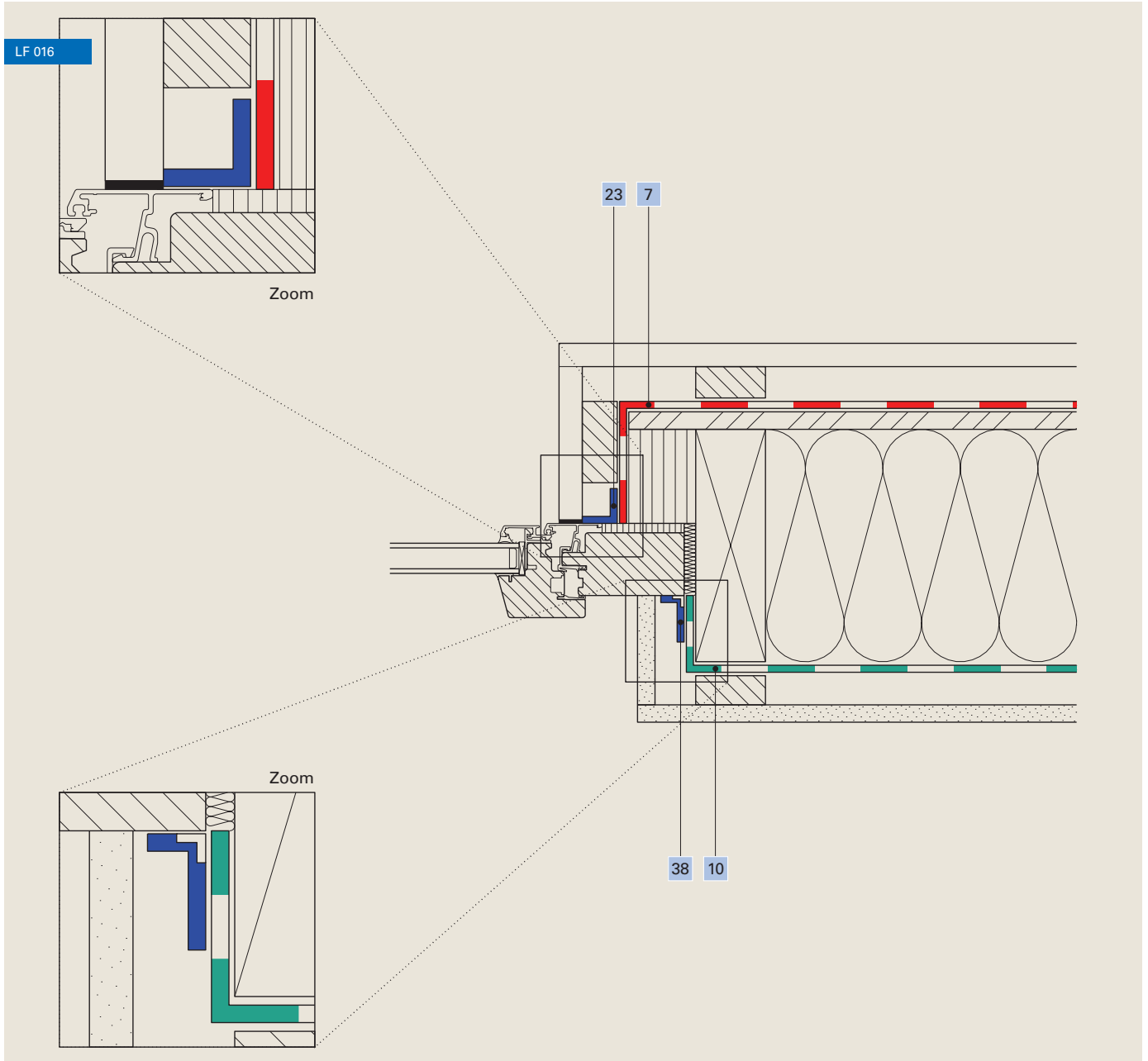
38 Adhesive tape **Ampacoll® FE**

Ampack Switzerland:  
+41 (0)71 858 38 00  
www.ampack.eu



# Air tightness, window installation, reveal

Use of special tapes, wood construction

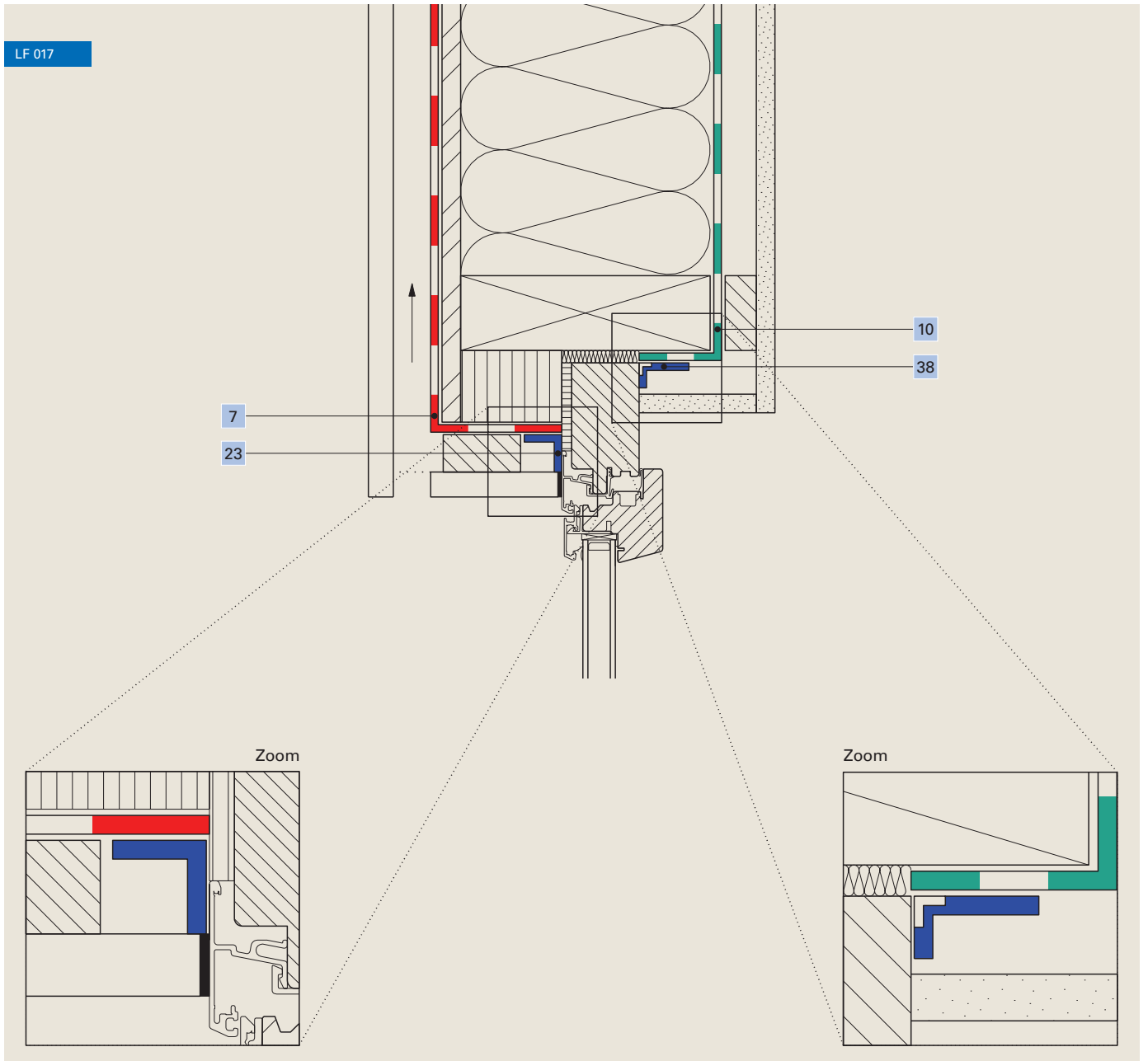


7	Wall membrane <b>Ampatop® Aero (plus)</b>	23	Adhesive tape <b>Ampacoll® XT</b> , 60 mm, double slit
10	Vapour check <b>Ampatex® DB 90</b>	38	Adhesive tape <b>Ampacoll® FE</b>



# Air tightness, window installation, ledge

Use of special tapes, wood construction

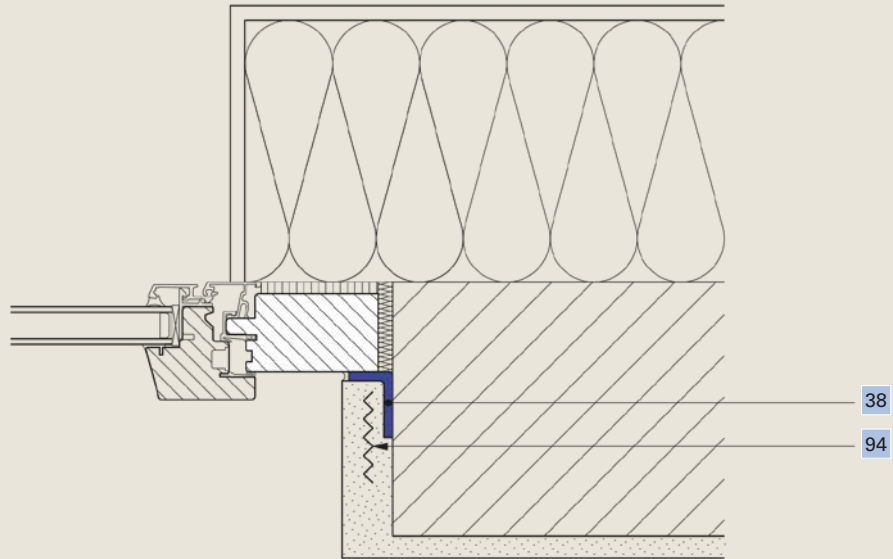


7	Wall membrane <b>Ampatop® Aero (plus)</b>	23	Adhesive tape <b>Ampacoll® XT</b> , 60 mm, double slit
10	Vapour check <b>Ampatex® DB 90</b>	38	Adhesive tape <b>Ampacoll® FE</b>

# Air tightness, window installation, reveal

Use of special tapes, masonry construction

LF 018



38 Adhesive tape **Ampacoll® BKF**

94 Support for plaster (e.g. expanded metal)