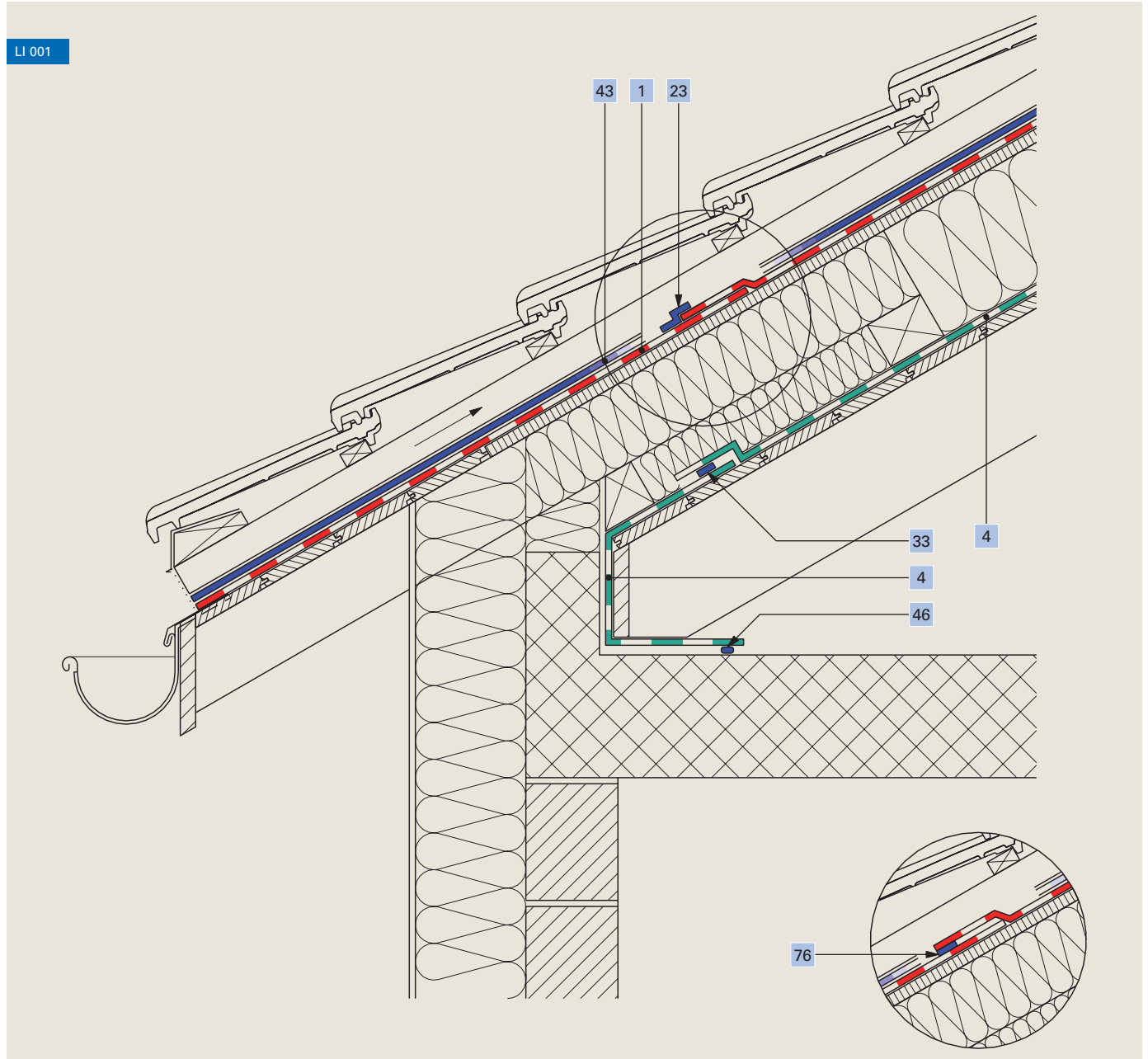


Air tightness interior construction, eaves

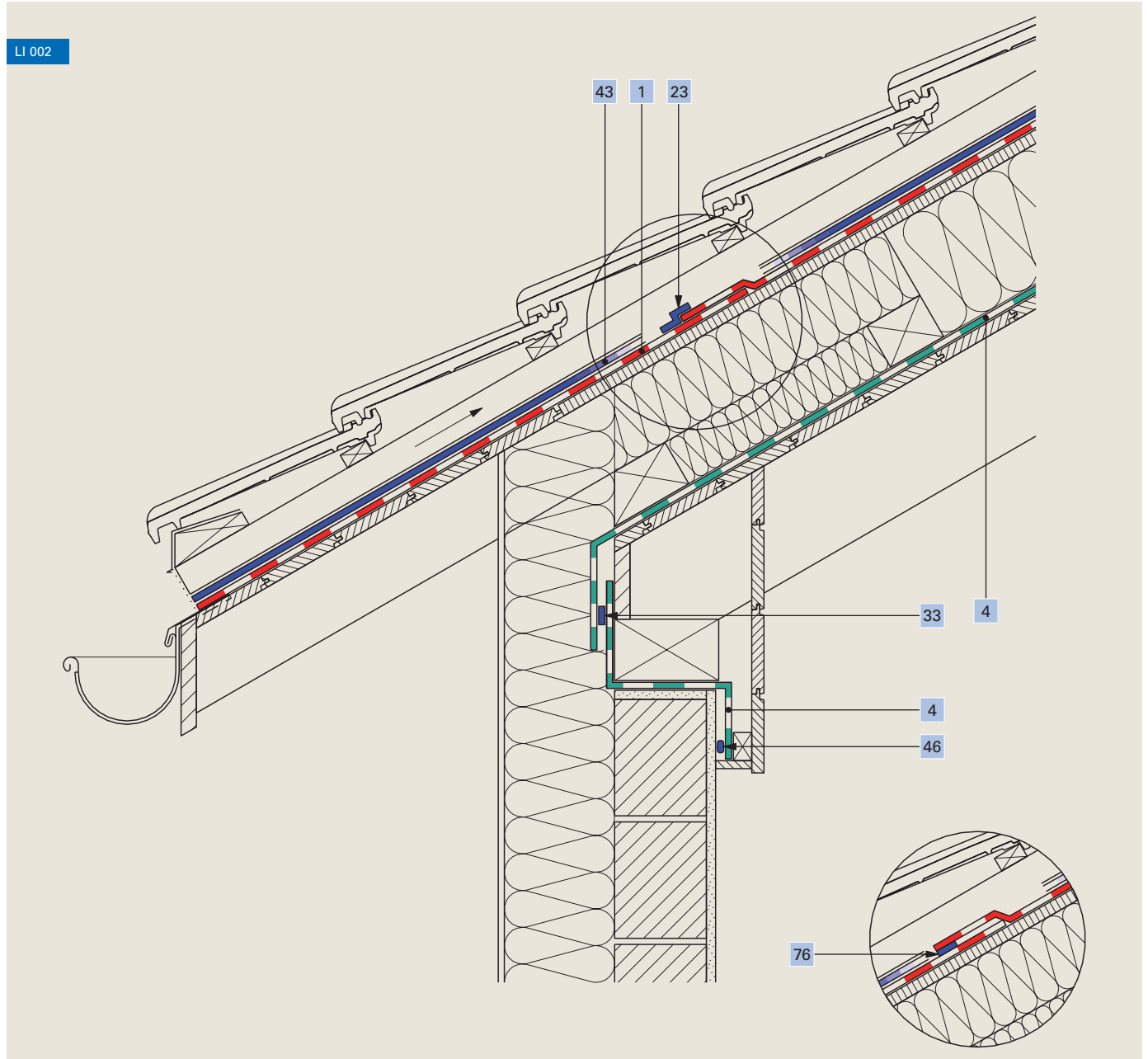
Rafter-mounted insulation with eaves block, concrete holder



1	Roof membrane Ampatop® Protecta (plus)	43	Nail sealing tape Ampacoll® ND.Band
4	Formwork membrane Ampatex® Solero	46	Edge connection adhesive Ampacoll® RA
23	Adhesive tape Ampacoll® XT , 60 mm	76	Alternative bonding: Integrated tapes (Ampatop® Protecta plus)
33	Adhesive tape Ampacoll® BK 530 , 15 mm		

Air tightness interior construction, eaves

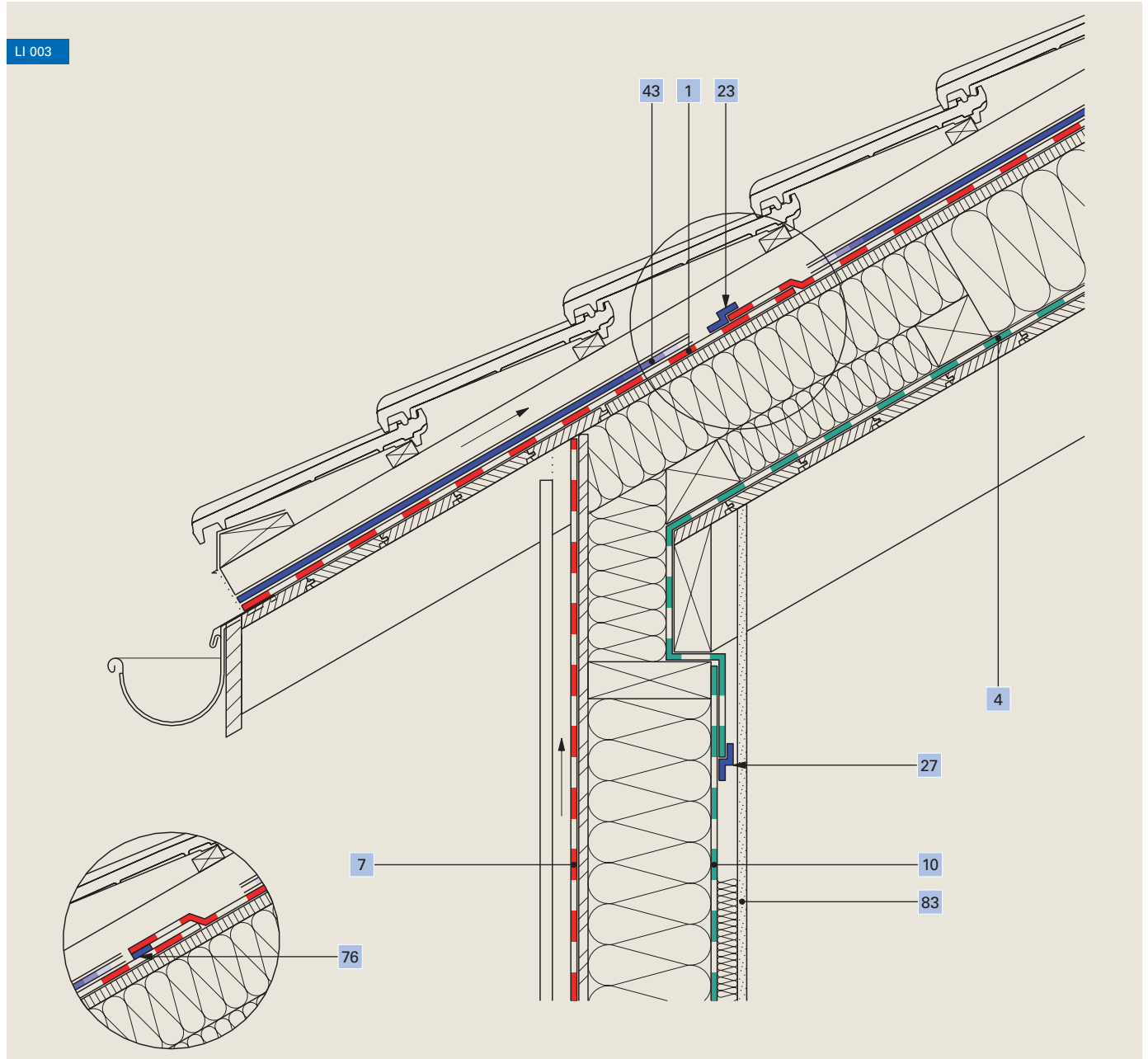
Rafter-mounted insulation with eaves block, single-shell brickwork



1	Roof membrane Ampatop® Protecta (plus)	43	Nail sealing tape Ampacoll® ND.Band
4	Formwork membrane Ampatex® Solero	46	Edge connection adhesive Ampacoll® RA
23	Adhesive tape Ampacoll® XT , 60 mm	76	Alternative bonding: Integrated tapes (Ampatop® Protecta plus)
33	Adhesive tape Ampacoll® BK 530 , 15 mm		

Air tightness interior construction, eaves

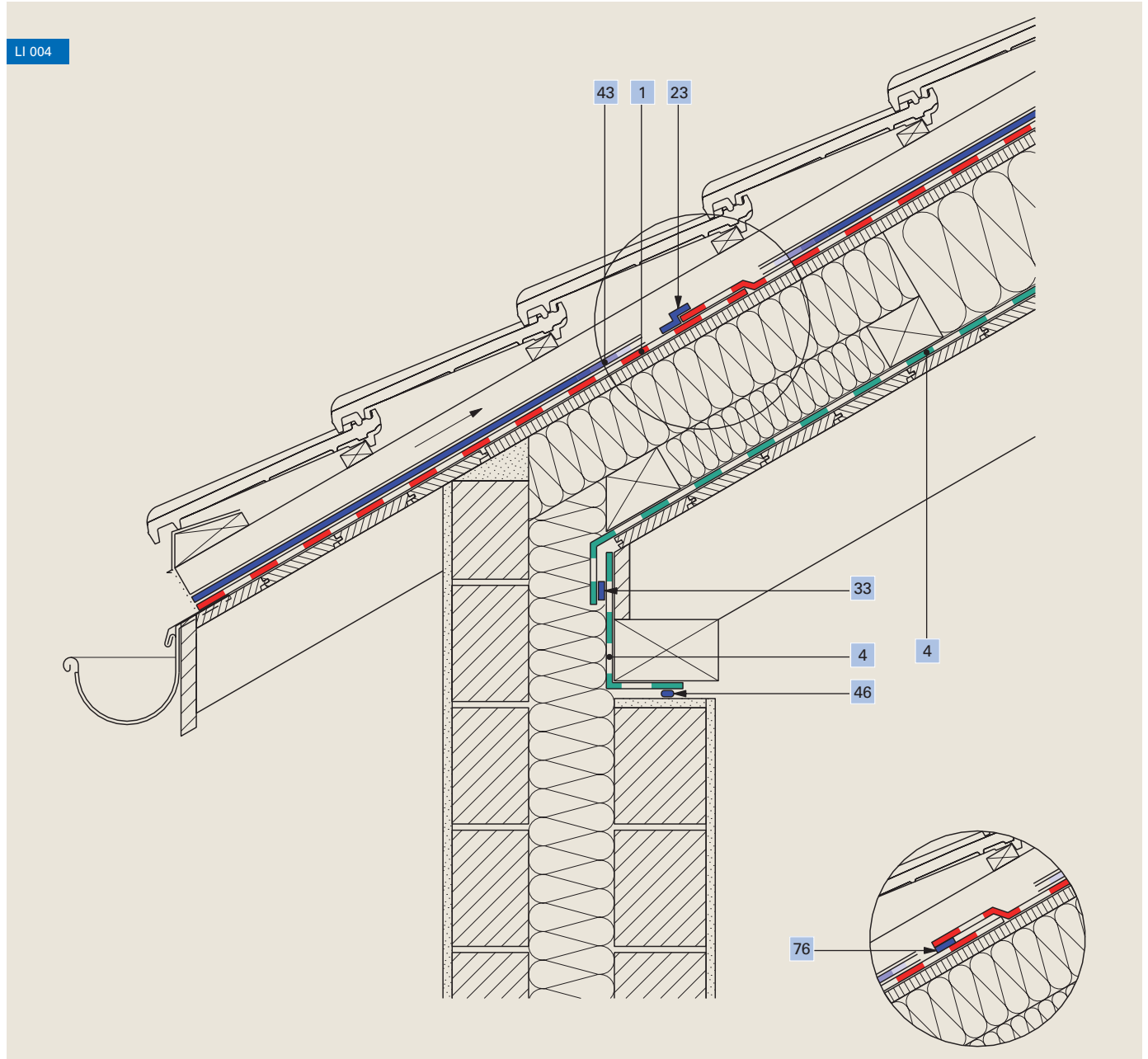
Rafter-mounted insulation with eaves block, wood construction



1	Roof membrane Ampatop® Protecta (plus)	27	Adhesive tape Ampacoll® INT
4	Formwork membrane Ampatex® Solero	43	Nail sealing tape Ampacoll® ND.Band
7	Wall membrane Ampatop® Aero	76	Alternative bonding: Integrated tapes (Ampatop® Protecta plus)
10	Vapour check Ampatex® DB 90	83	Inner cladding
23	Adhesive tape Ampacoll® XT, 60 mm		

Air tightness interior construction, eaves

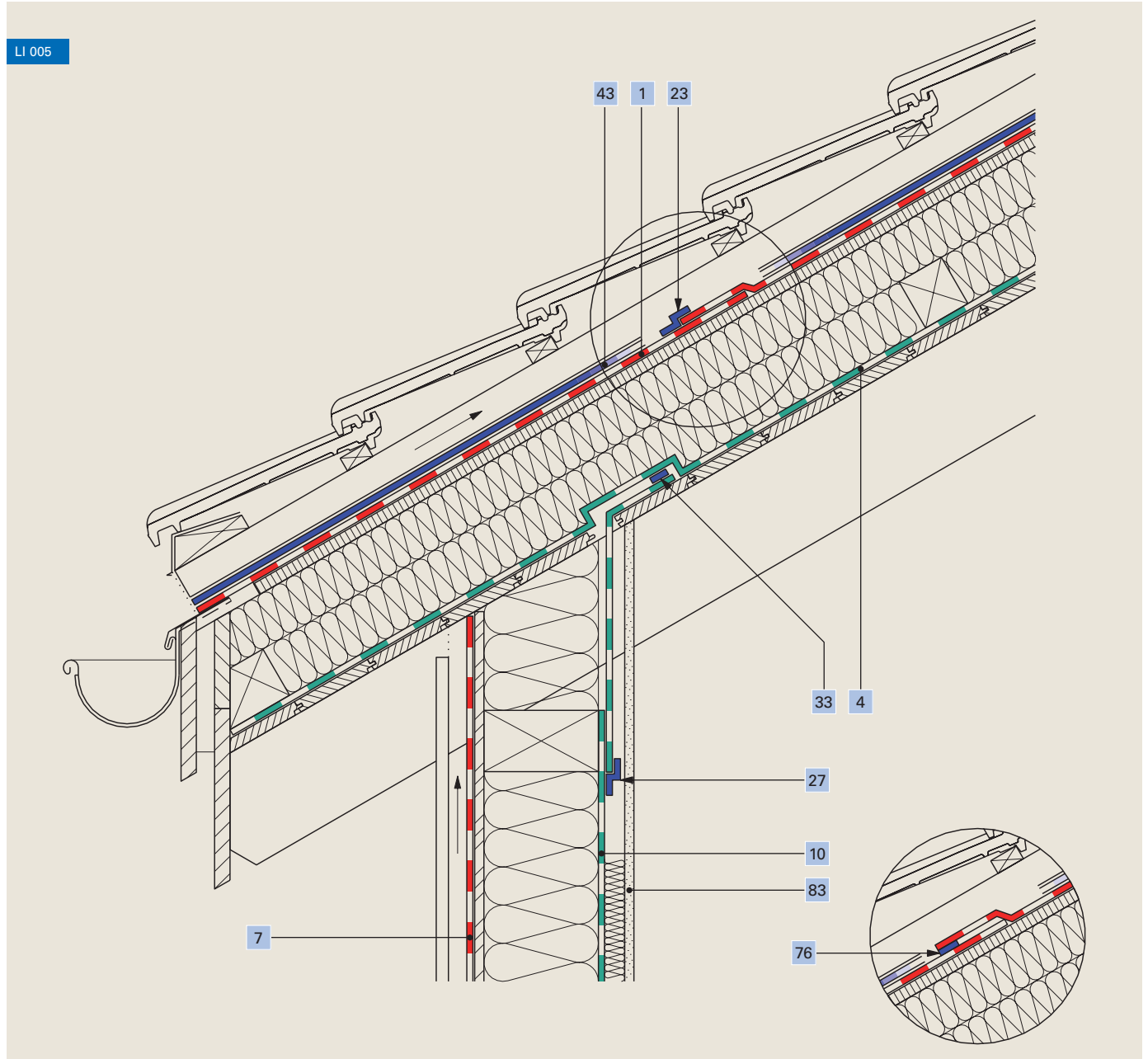
Rafter-mounted insulation with eaves block, double-shell brickwork



1	Roof membrane Ampatop® Protecta (plus)	43	Nail sealing tape Ampacoll® ND.Band
4	Formwork membrane Ampatex® Solero	46	Liquid adhesive Ampacoll® Superfix
23	Adhesive tape Ampacoll® XT, 60 mm	76	Alternative bonding: Integrated tapes (Ampatop® Protecta plus)
33	Adhesive tape Ampacoll® BK 530, 15 mm		

Air tightness interior construction, eaves

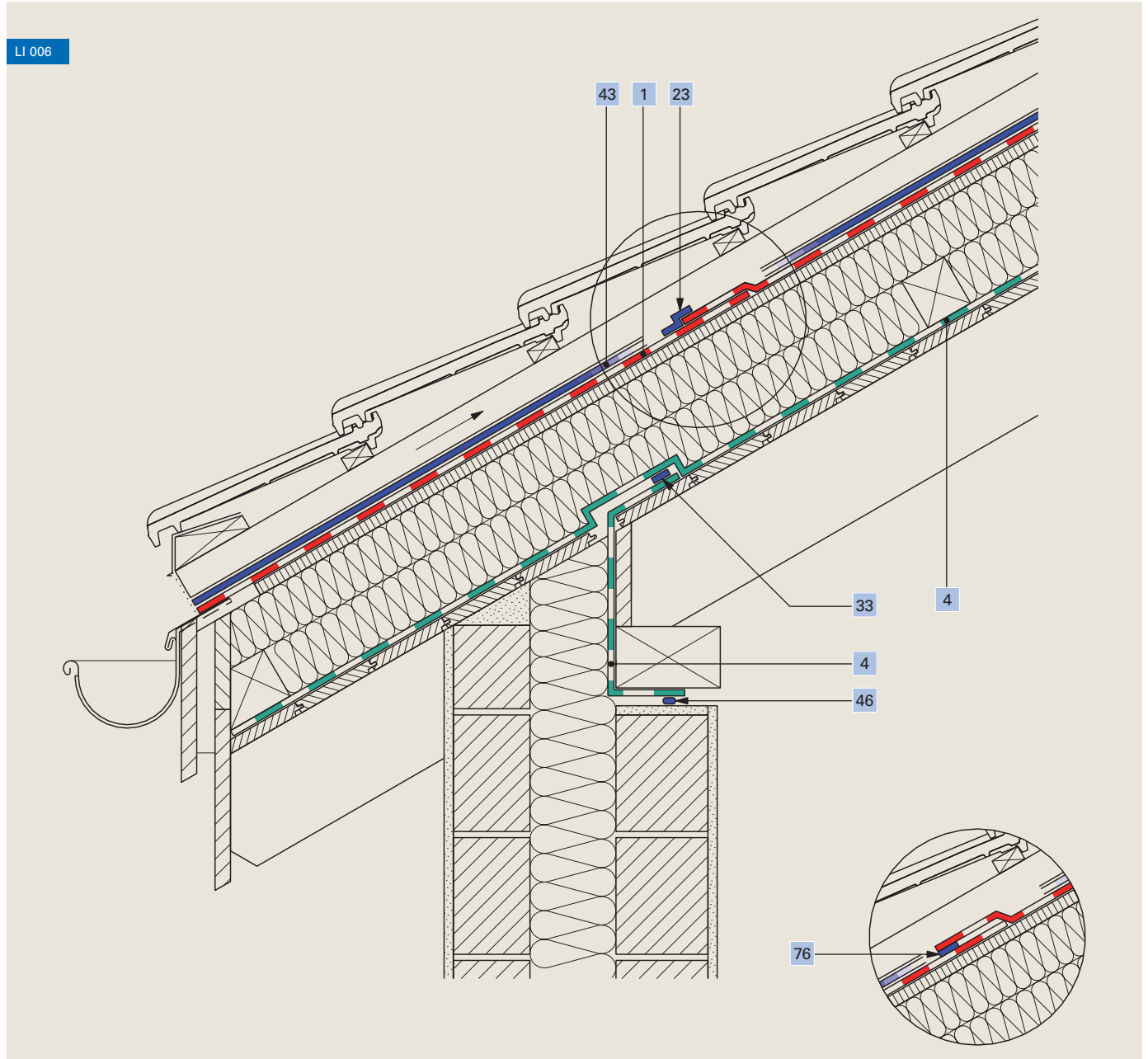
Rafter-mounted insulation without eaves block, wood construction



1	Roof membrane Ampatop® Protecta (plus)	33	Adhesive tape Ampacoll® BK 530 , 15 mm
4	Formwork membrane Ampatex® Solero	43	Nail sealing tape Ampacoll® ND.Band
7	Wall membrane Ampatop® Aero	76	Alternative bonding: Integrated tapes (Ampatop® Protecta plus)
10	Vapour check Ampatex® DB 90	83	Inner cladding
23	Adhesive tape Ampacoll® XT , 60 mm		
27	Adhesive tape Ampacoll® INT		

Air tightness interior construction, eaves

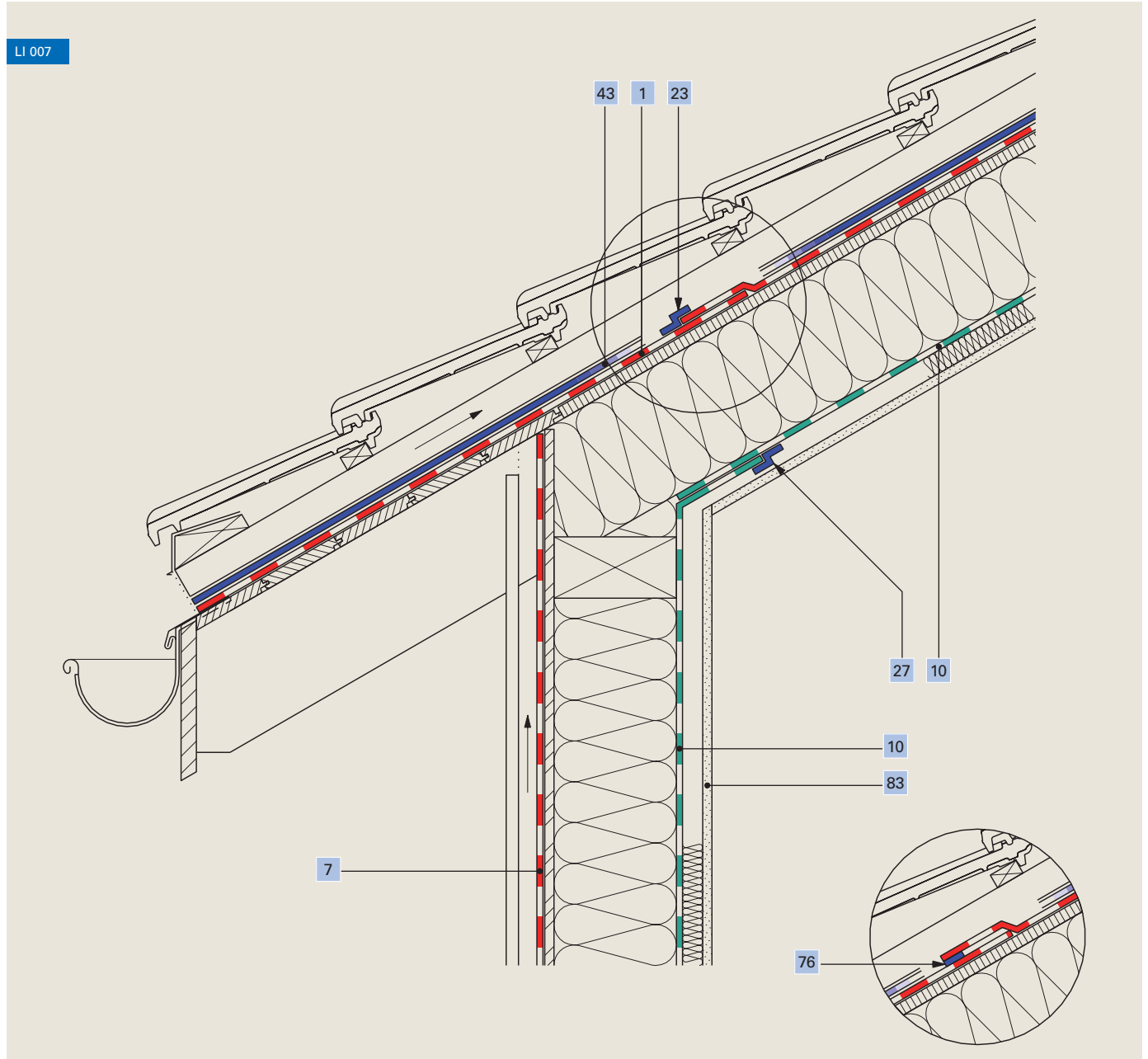
Rafter-mounted insulation without eaves block, double-shell brickwork



1	Roof membrane Ampatop® Protecta (plus)	43	Nail sealing tape Ampacoll® ND.Band
4	Formwork membrane Ampatex® Solero	46	Liquid adhesive Ampacoll® Superfix
23	Adhesive tape Ampacoll® XT, 60 mm	76	Alternative bonding: Integrated tapes (Ampatop® Protecta plus)
33	Adhesive tape Ampacoll® BK 530, 15 mm		

Air tightness interior construction, eaves

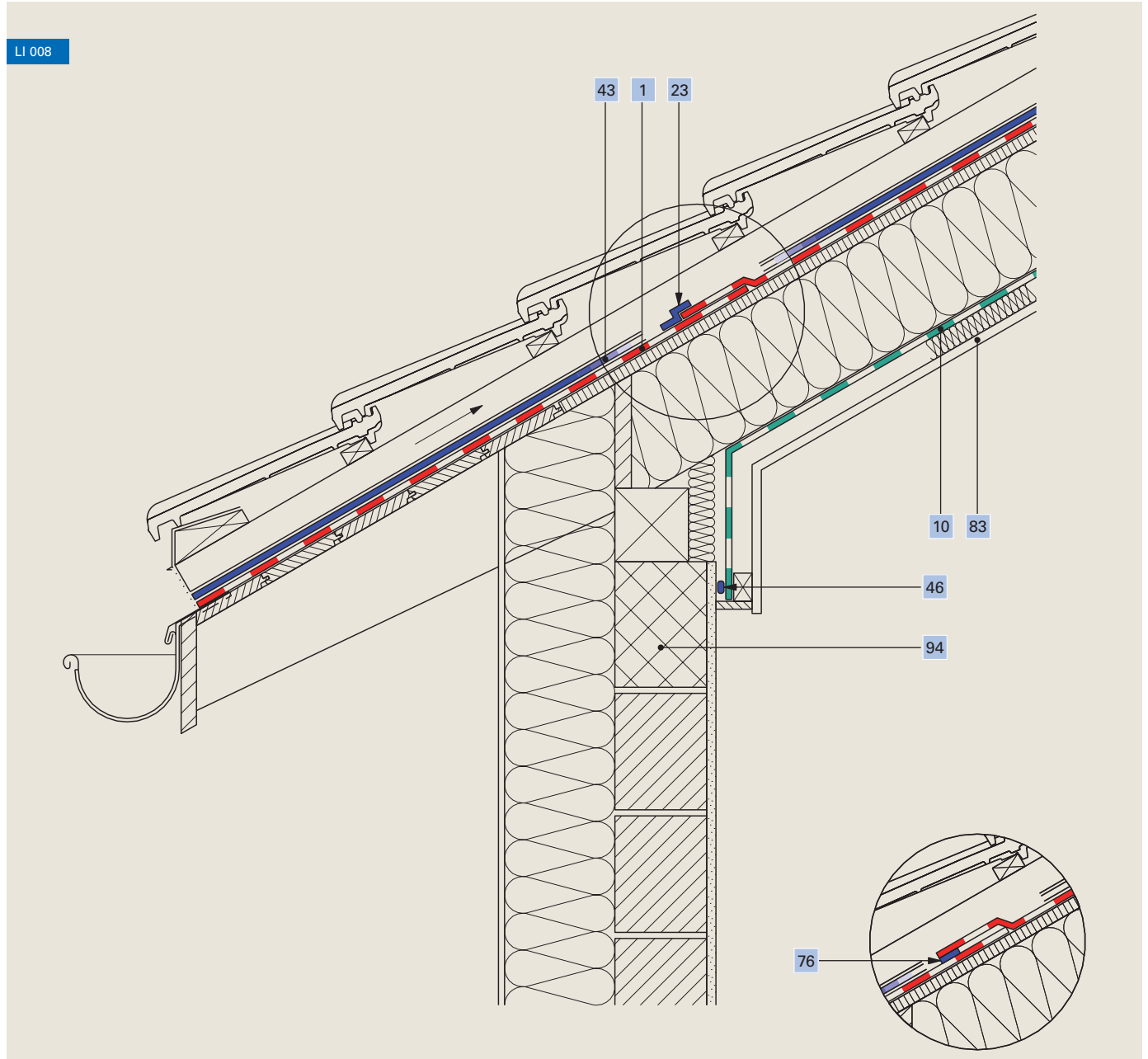
Insulation mounted between the rafters, wood construction



1	Roof membrane Ampatop® Protecta (plus)	43	Nail sealing tape Ampacoll® ND.Band
7	Wall membrane Ampatop® Aero	76	Alternative bonding: Integrated tapes (Ampatop® Protecta plus)
10	Vapour check Ampatex® DB 90	83	Inner cladding
23	Adhesive tape Ampacoll® XT, 60 mm		
27	Adhesive tape Ampacoll® INT		

Air tightness interior construction, eaves

Insulation mounted between the rafters with ring armature, single-shell brickwork

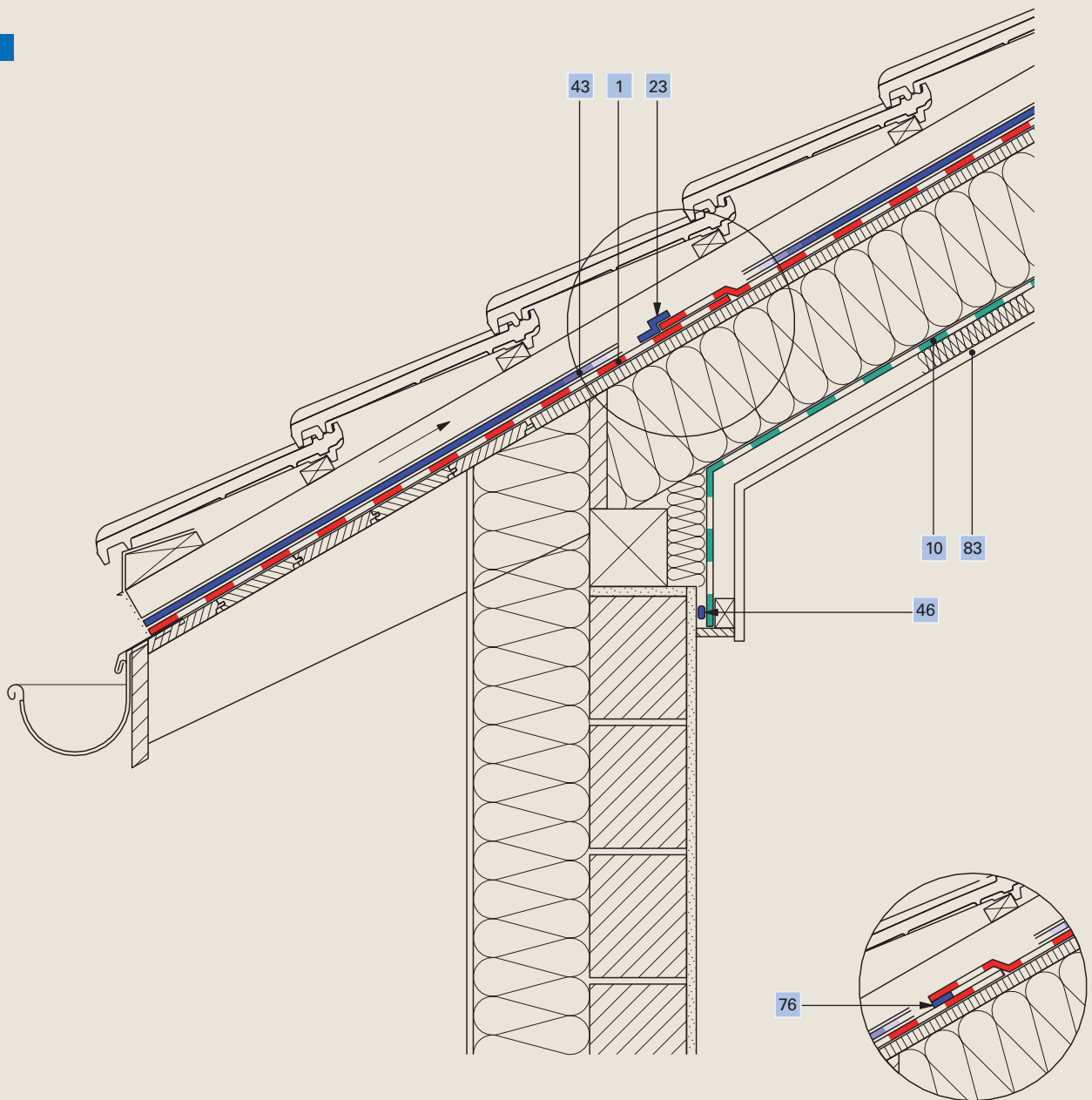


1	Roof membrane Ampatop® Protecta (plus)	76	Alternative bonding: Integrated tapes (Ampatop® Protecta plus)
10	Vapour check Ampatex® DB 90	83	Inner cladding
23	Adhesive tape Ampacoll® XT, 60 mm	94	Concrete ring anchor
43	Nail sealing tape Ampacoll® ND.Band		
46	Edge connection adhesive Ampacoll® RA		

Air tightness interior construction, eaves

Insulation mounted between the rafters, single-shell brickwork

LI 009

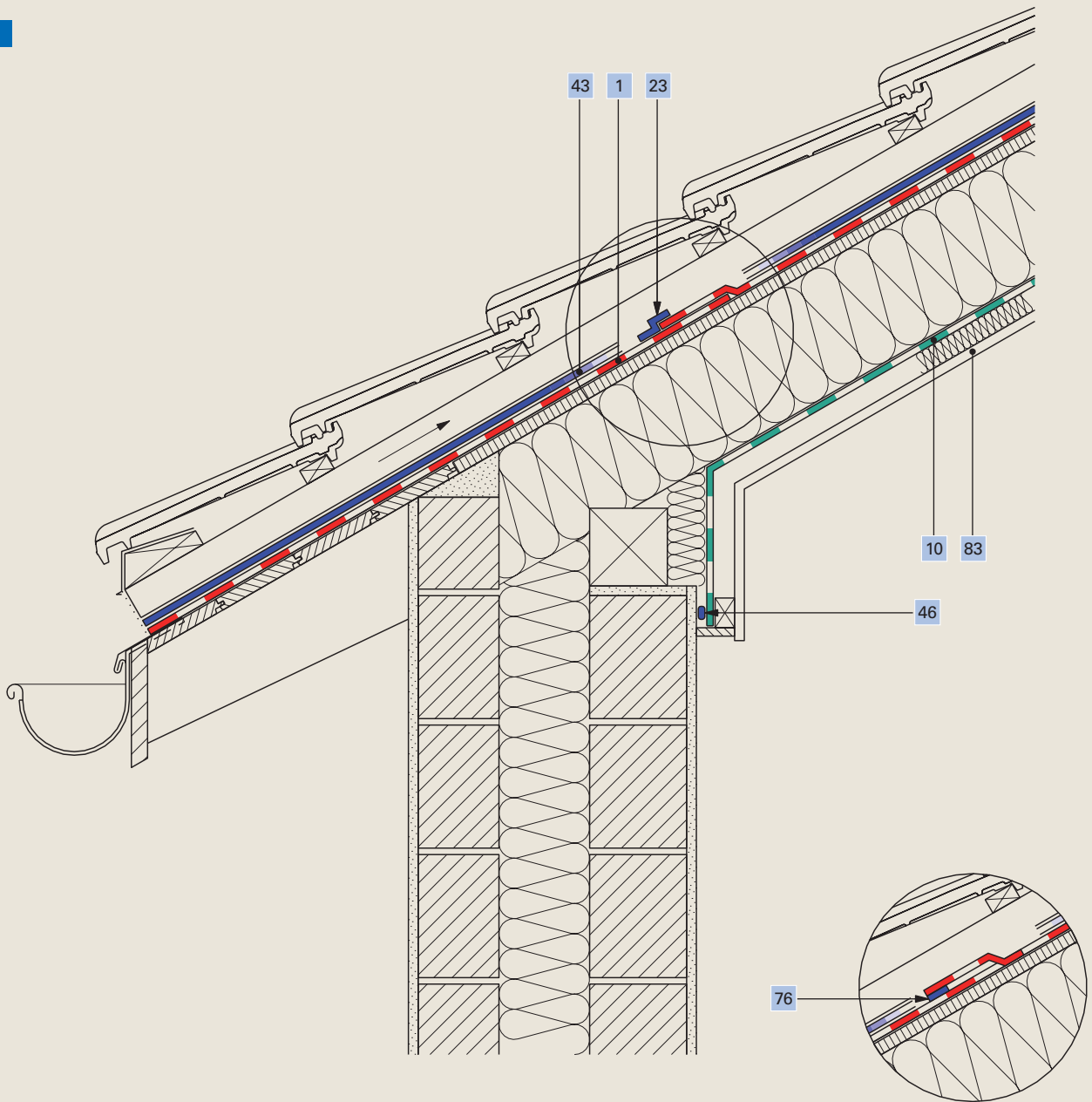


1	Roof membrane Ampatop® Protecta (plus)	46	Edge connection adhesive Ampacoll® RA
10	Vapour check Ampatex® DB 90	76	Alternative bonding: Integrated tapes (Ampatop® Protecta plus)
23	Adhesive tape Ampacoll® XT, 60 mm	83	Inner cladding
43	Nail sealing tape Ampacoll® ND.Band		

Air tightness interior construction, eaves

Insulation mounted between the rafters, double-shell brickwork

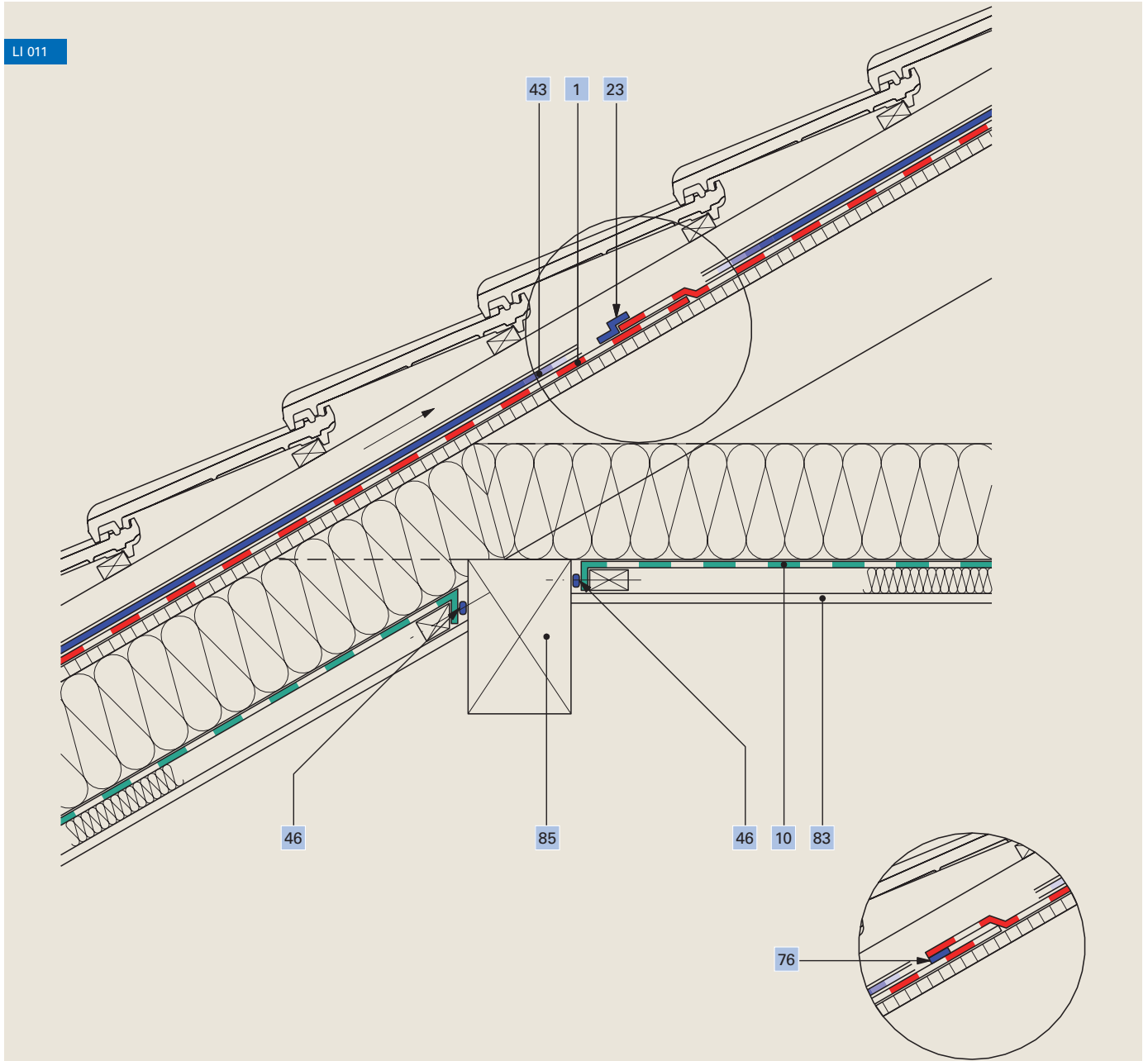
LI 010



1	Roof membrane Ampatop® Protecta (plus)	46	Edge connection adhesive Ampacoll® RA
10	Vapour check Ampatex® DB 90	76	Alternative bonding: Integrated tapes (Ampatop® Protecta plus)
23	Adhesive tape Ampacoll® XT, 60 mm	83	Inner cladding
43	Nail sealing tape Ampacoll® ND.Band		

Air tightness interior construction, purlin connection

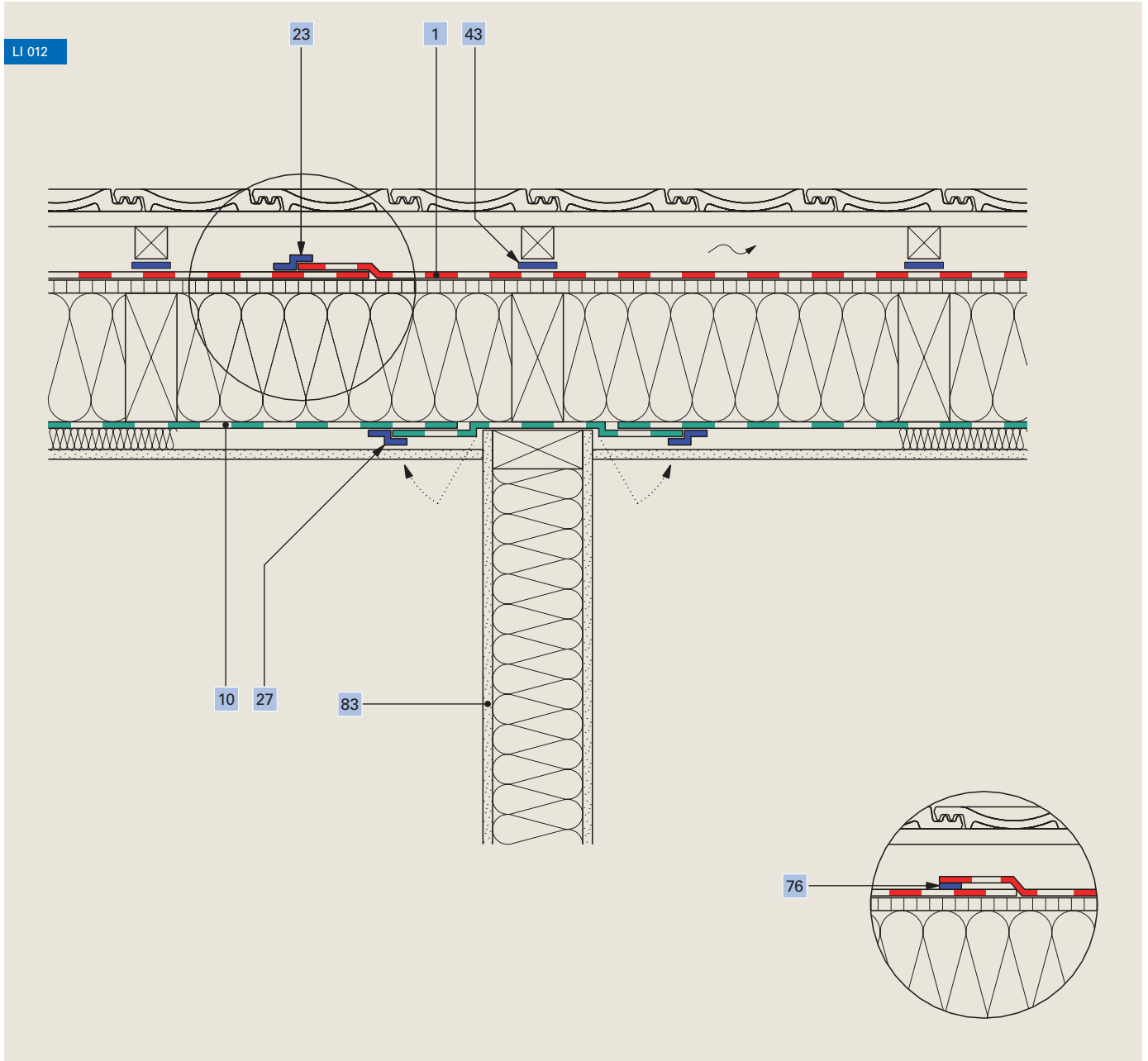
Membrane bonded to purlin



1	Roof membrane Ampatop® Protecta (plus)	76	Alternative bonding: Integrated tapes (Ampatop® Protecta plus)
10	Vapour check Ampatex® DB 90	83	Inner cladding
23	Adhesive tape Ampacoll® XT, 60 mm	85	Flawless construction
43	Nail sealing tape Ampacoll® ND.Band		
46	Edge connection adhesive Ampacoll® RA		

Air tightness interior construction

Connection between internal wall and roof pitch

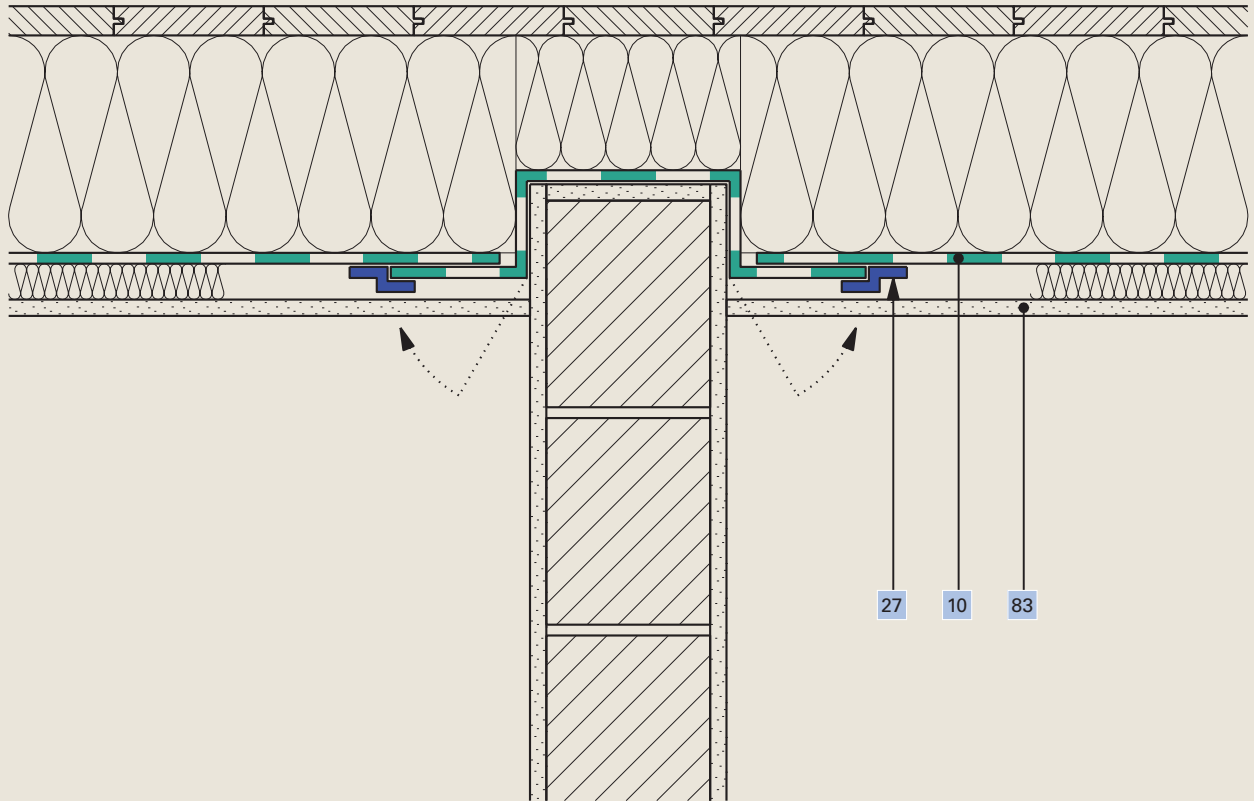


1	Roof membrane Ampatop® Protecta (plus)	43	Nail sealing tape Ampacoll® ND.Band
10	Vapour check Ampatex® DB 90	76	Alternative bonding: Integrated tapes (Ampatop® Protecta plus)
23	Adhesive tape Ampacoll® XT, 60 mm	83	Inner cladding
27	Adhesive tape Ampacoll® INT		

Air tightness interior construction

Integration of internal wall into ceiling structure

LI 013

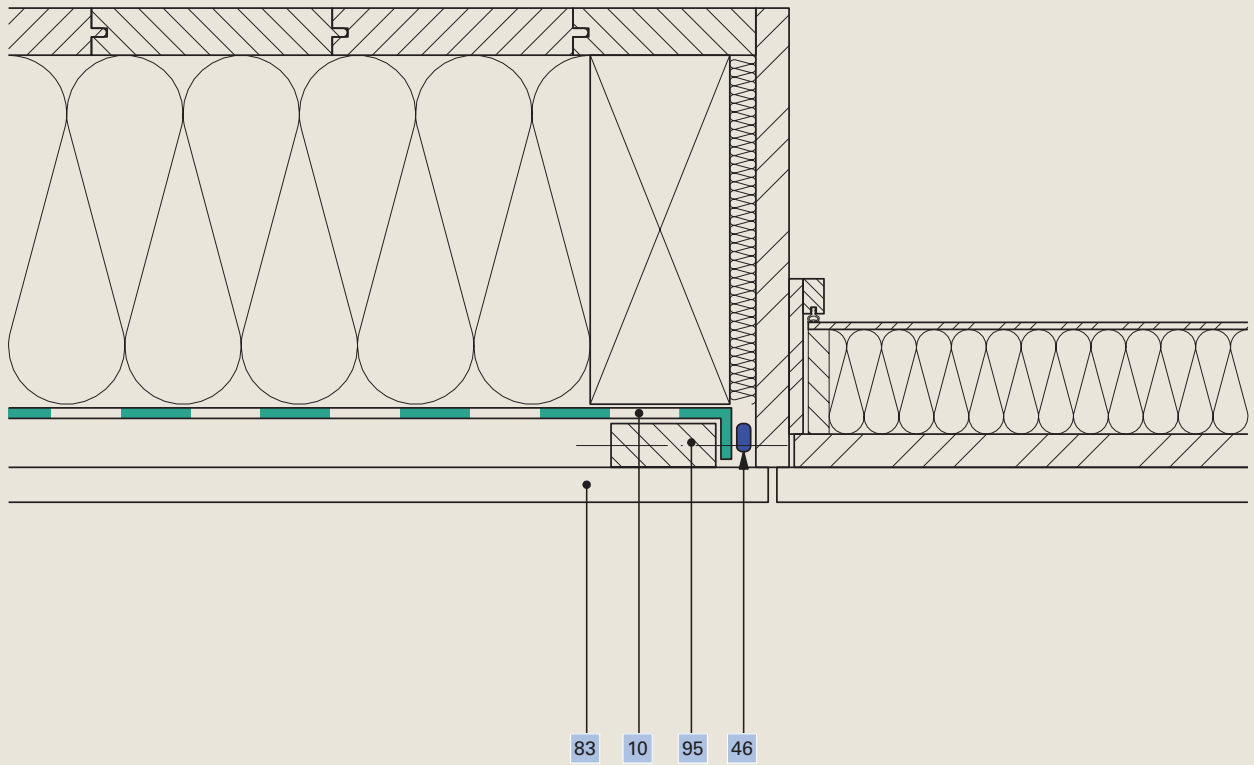


- | | |
|----|------------------------------------|
| 10 | Vapour check Ampatex® DB 90 |
| 27 | Adhesive tape Ampacoll® INT |
| 83 | Inner cladding |

Air tightness interior construction, pull-out steps

Connection of vapour check

LI 014



10 Vapour check **Ampatex® DB 90**

46 Edge connection adhesive **Ampacoll® RA**

83 Inner cladding

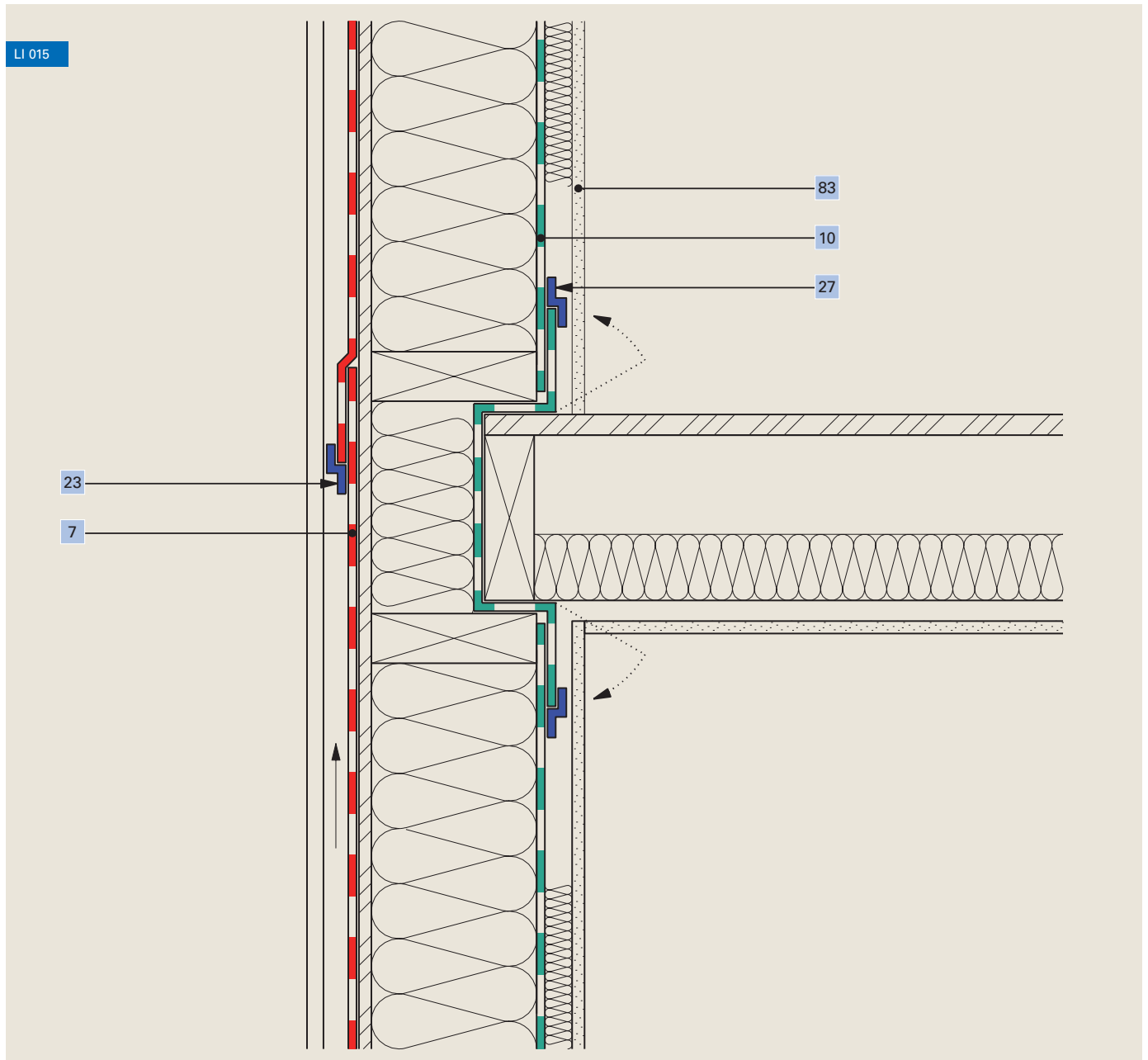
95 Press-on batten

Ampack AG:
+41 71 858 38 00
www.ampack.eu



Air tightness interior construction, ceiling connection

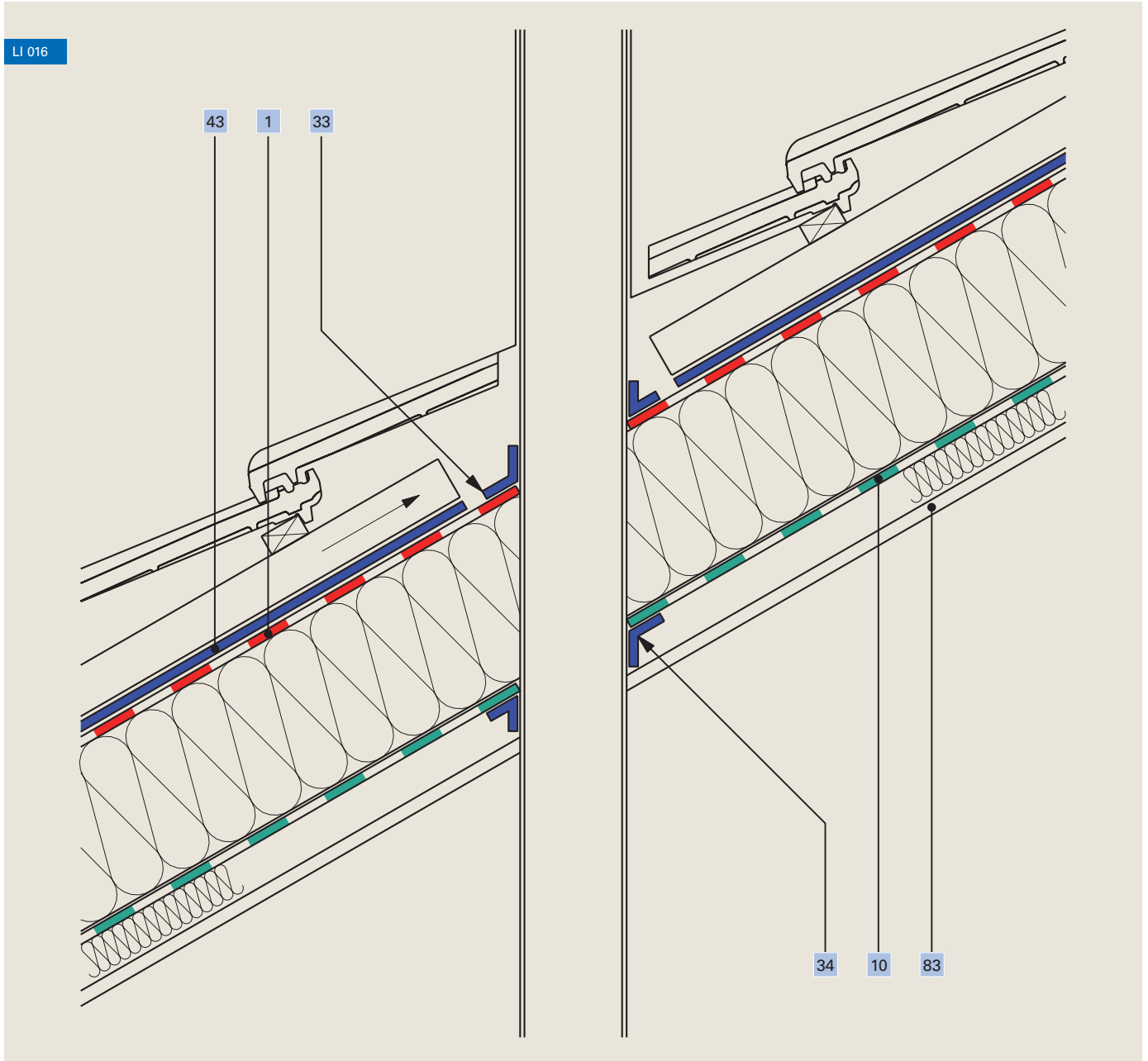
▀ Ceiling connection to element construction



7	Wall membrane Ampatop® Aero	27	Adhesive tape Ampacoll® INT
10	Vapour check Ampatex® DB 90	83	Inner cladding
23	Adhesive tape Ampacoll® XT, 60 mm		

Air tightness interior construction, penetration

With one-sided adhesive tape

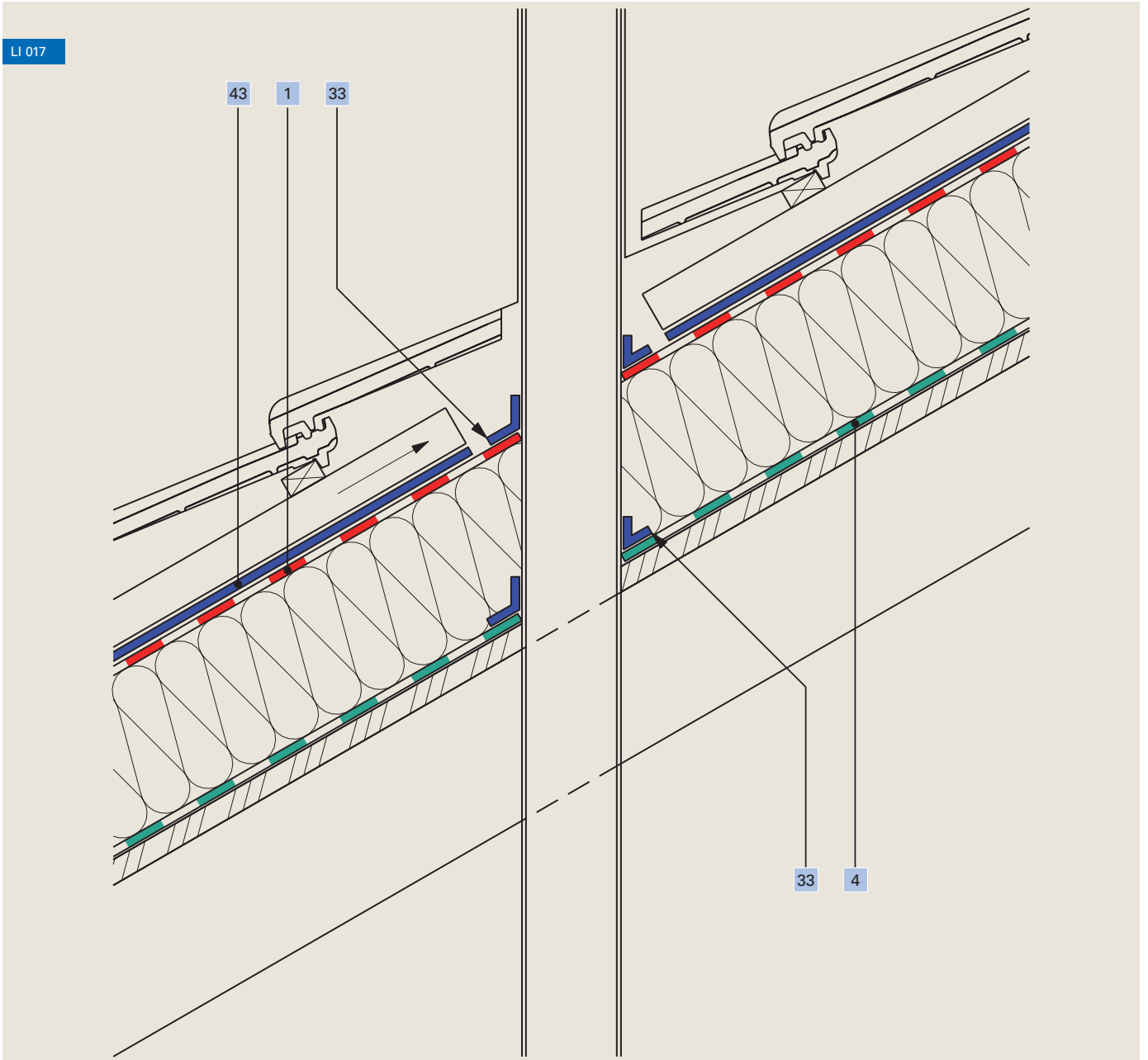


1	Roof membrane Ampatop® Protecta (plus)	34	Adhesive tape Ampacoll® BK 535 , 50 mm
10	Vapour check Ampatex® DB 90	43	Nail sealing tape Ampacoll® ND.Band
33	Adhesive tape Ampacoll® BK 535 , 80 mm	83	Inner cladding

Air tightness interior construction, penetration

With one-sided adhesive tape, rafter-mounted insulation

LI 017



1 Roof membrane **Ampatop® Protecta (plus)**

4 Formwork membrane **Ampatex® Solero**

33 Adhesive tape **Ampacoll® BK 535, 80 mm**

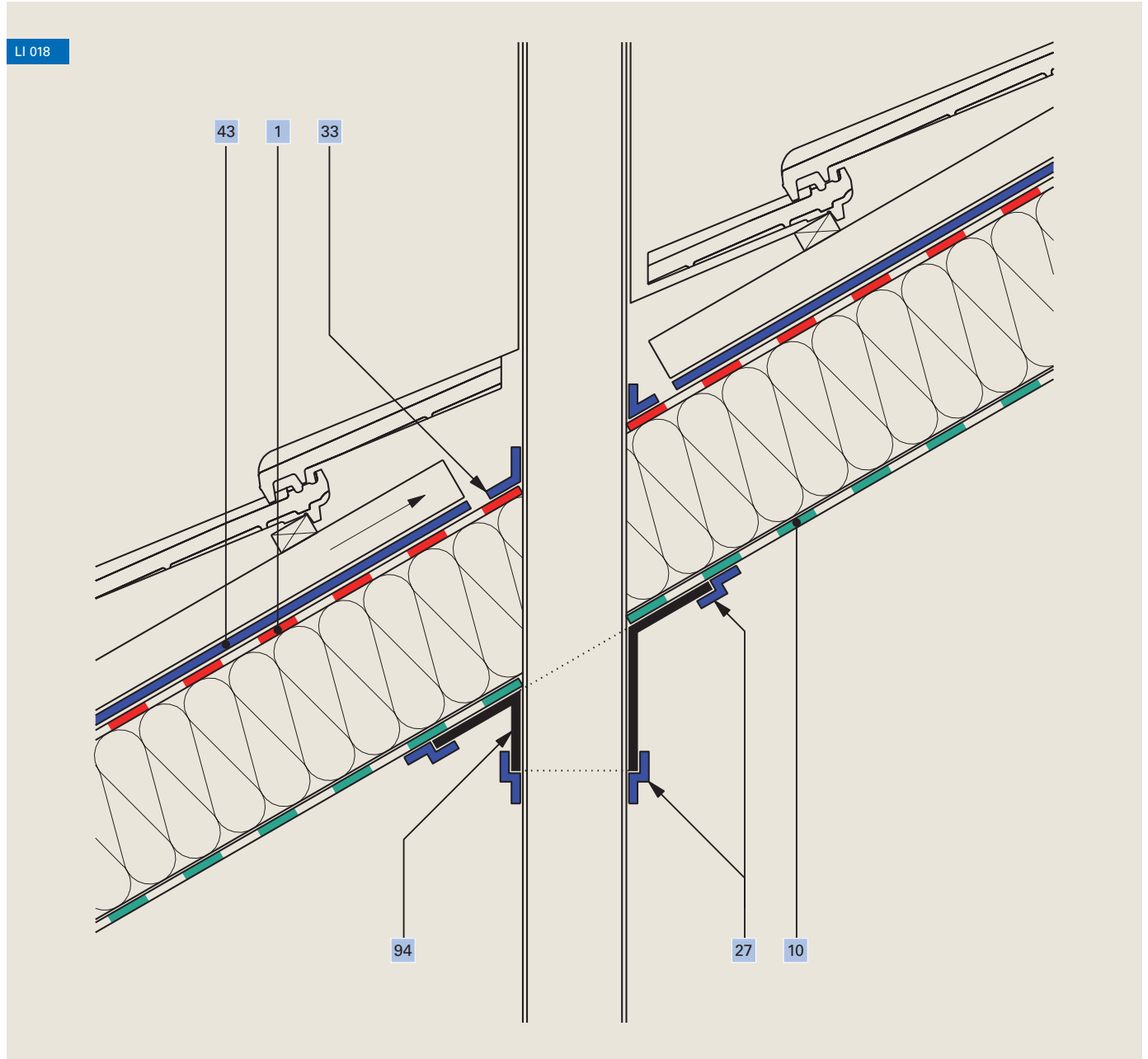
43 Nail sealing tape **Ampacoll® ND.Band**

Ampack AG:
+41 71 858 38 00
www.ampack.eu



Air tightness interior construction, penetration

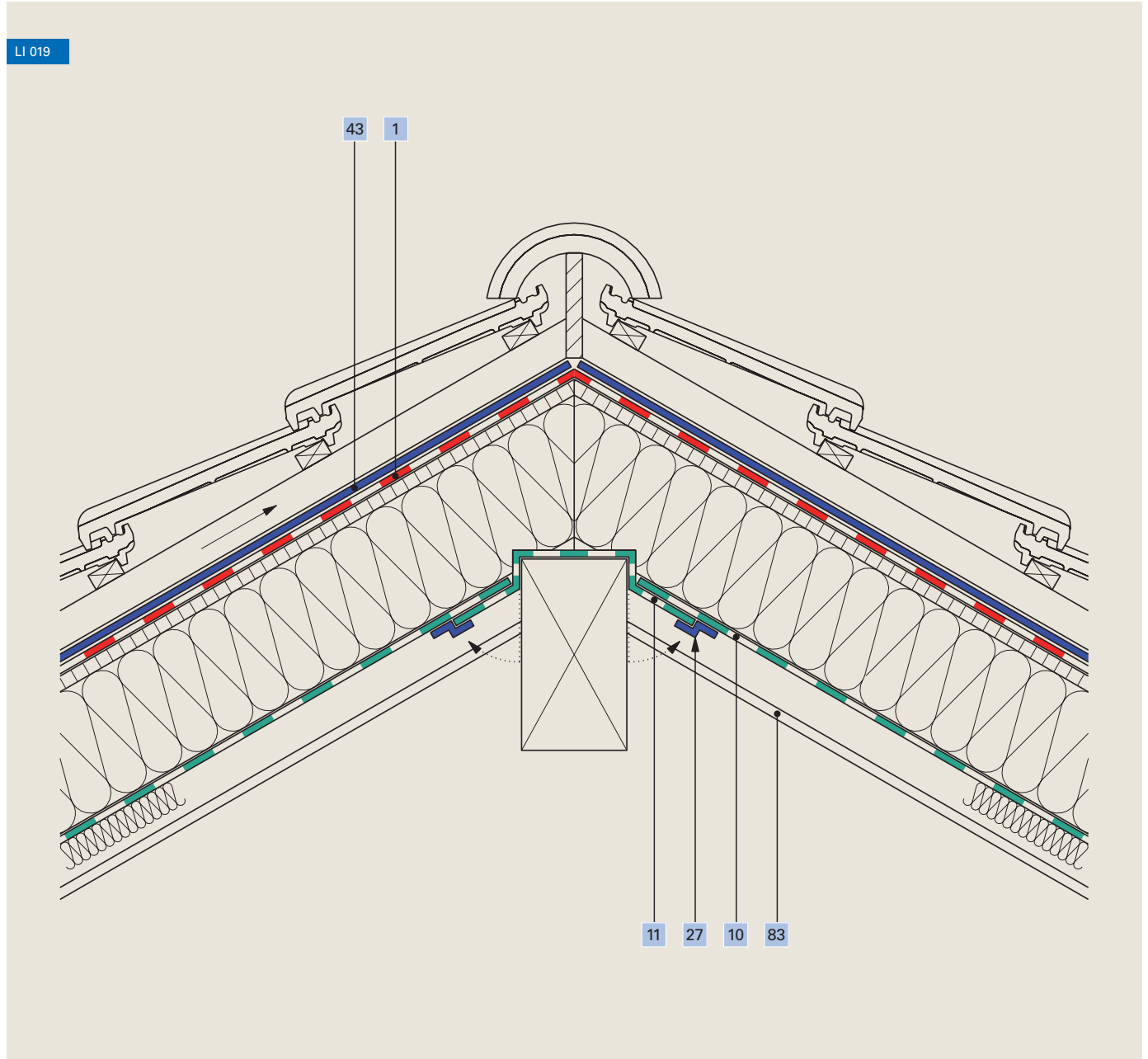
With sleeve and one-sided adhesive tape



1	Roof membrane Ampatop® Protecta (plus)	33	Adhesive tape Ampacoll® BK 535 , 80 mm
10	Vapour check Ampatex® DB 90	43	Nail sealing tape Ampacoll® ND.Band
27	Adhesive tape Ampacoll® INT	94	Prefabricated sleeve

Air tightness interior construction, ridge

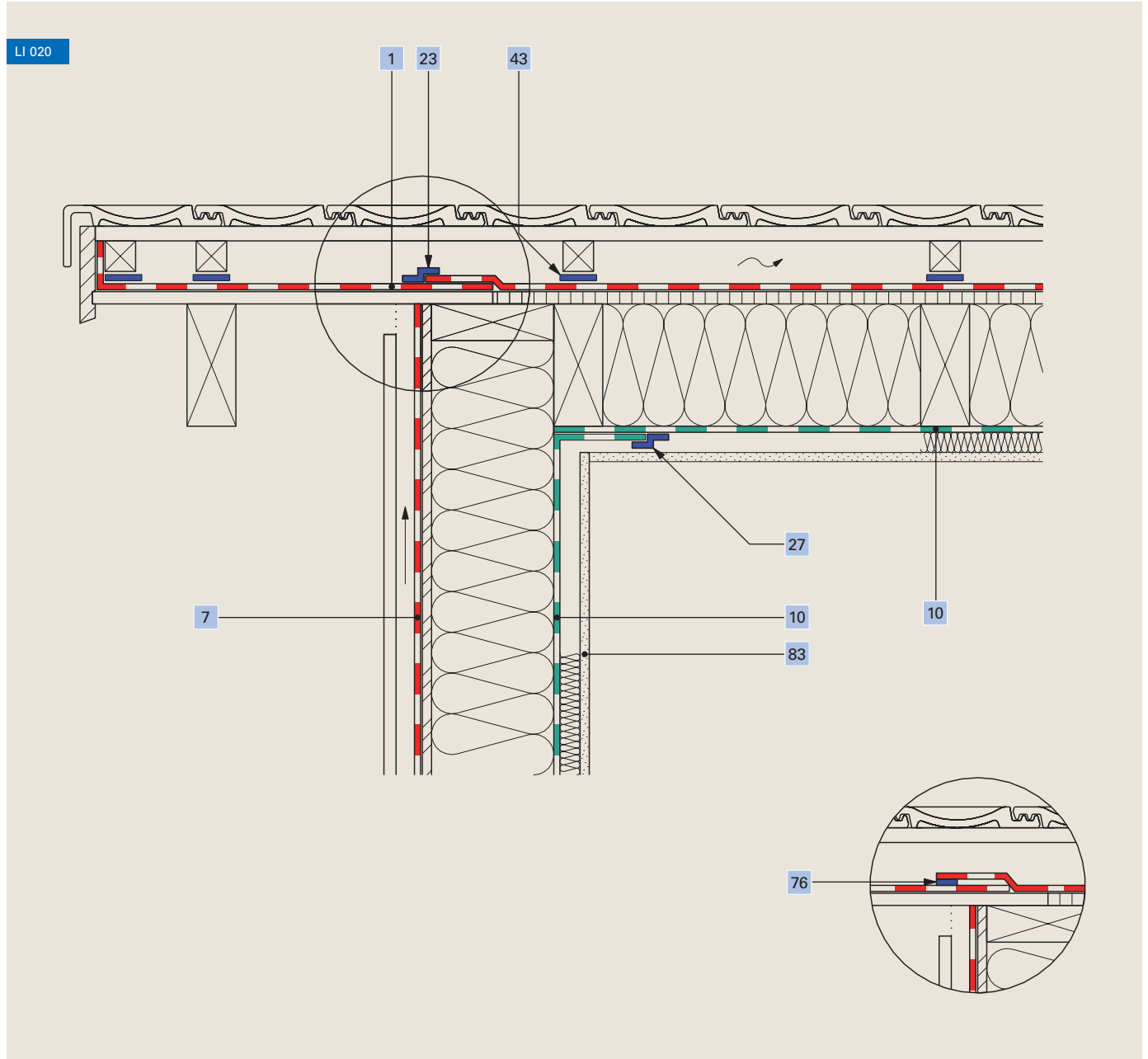
With strips, insulation mounted between the rafters



1	Roof membrane Ampatop® Protecta (plus)	27	Adhesive tape Ampacoll® INT
10	Vapour check Ampatex® DB 90	43	Nail sealing tape Ampacoll® ND.Band
11	Purlin connection strip Ampatex® DB 90	83	Inner cladding

Air tightness interior construction, gable

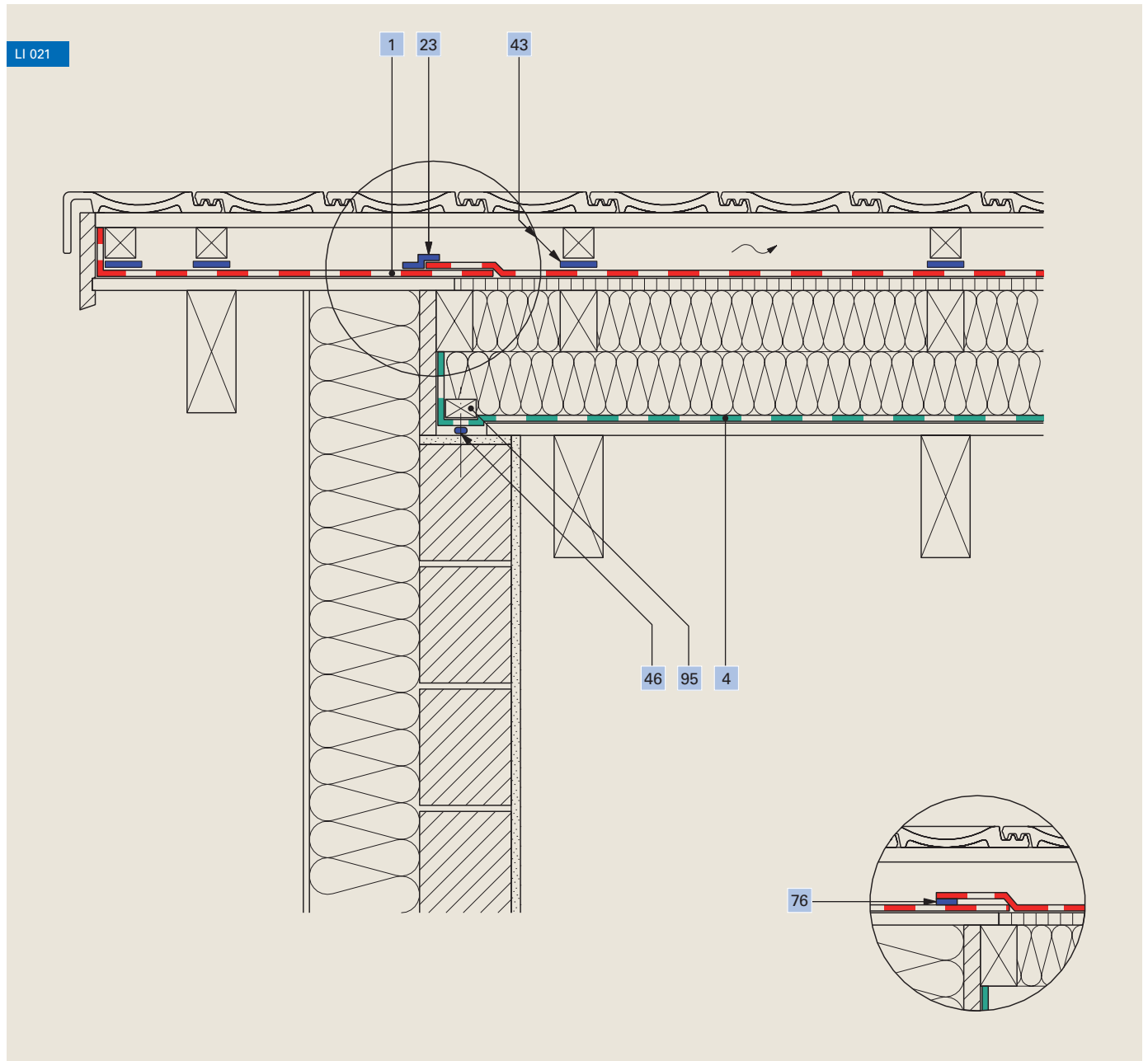
Connection to wooden wall



1	Roof membrane Ampatop® Protecta (plus)	43	Nail sealing tape Ampacoll® ND.Band
7	Wall membrane Ampatop® Aero	76	Alternative bonding: Integrated tapes (Ampatop® Protecta plus)
10	Vapour check Ampatex® DB 90	83	Inner cladding
23	Adhesive tape Ampacoll® XT, 60 mm		
27	Adhesive tape Ampacoll® INT		

Air tightness interior construction, gable

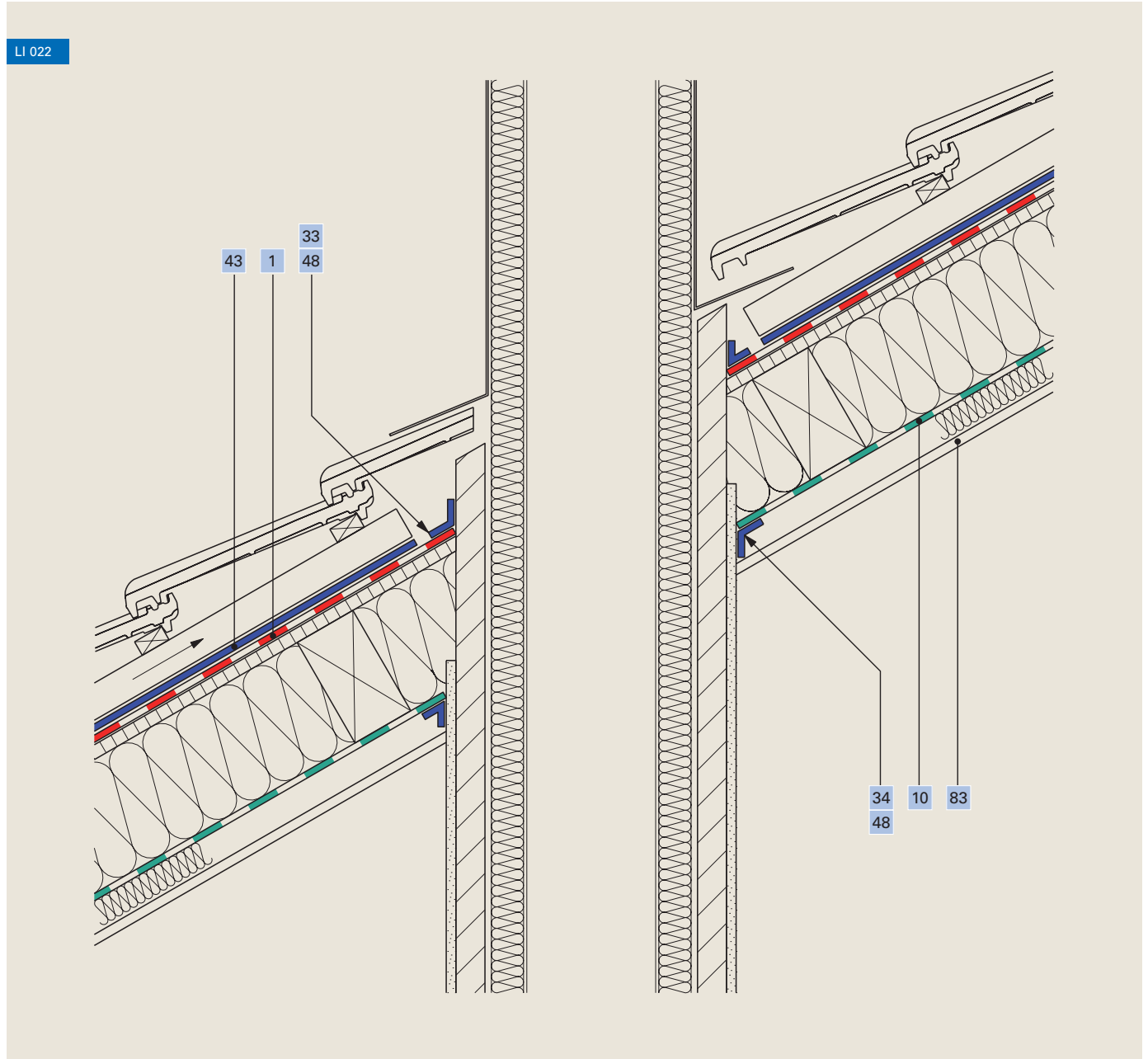
Connection to masonry crown



1	Roof membrane Ampatop® Protecta (plus)	46	Liquid adhesive Ampacoll® Superfix
4	Formwork membrane Ampatex® Solero	76	Alternative bonding: Integrated tapes (Ampatop® Protecta plus)
23	Adhesive tape Ampacoll® XT, 60 mm	95	Press-on batten
43	Nail sealing tape Ampacoll® ND.Band		

Air tightness interior construction, chimney

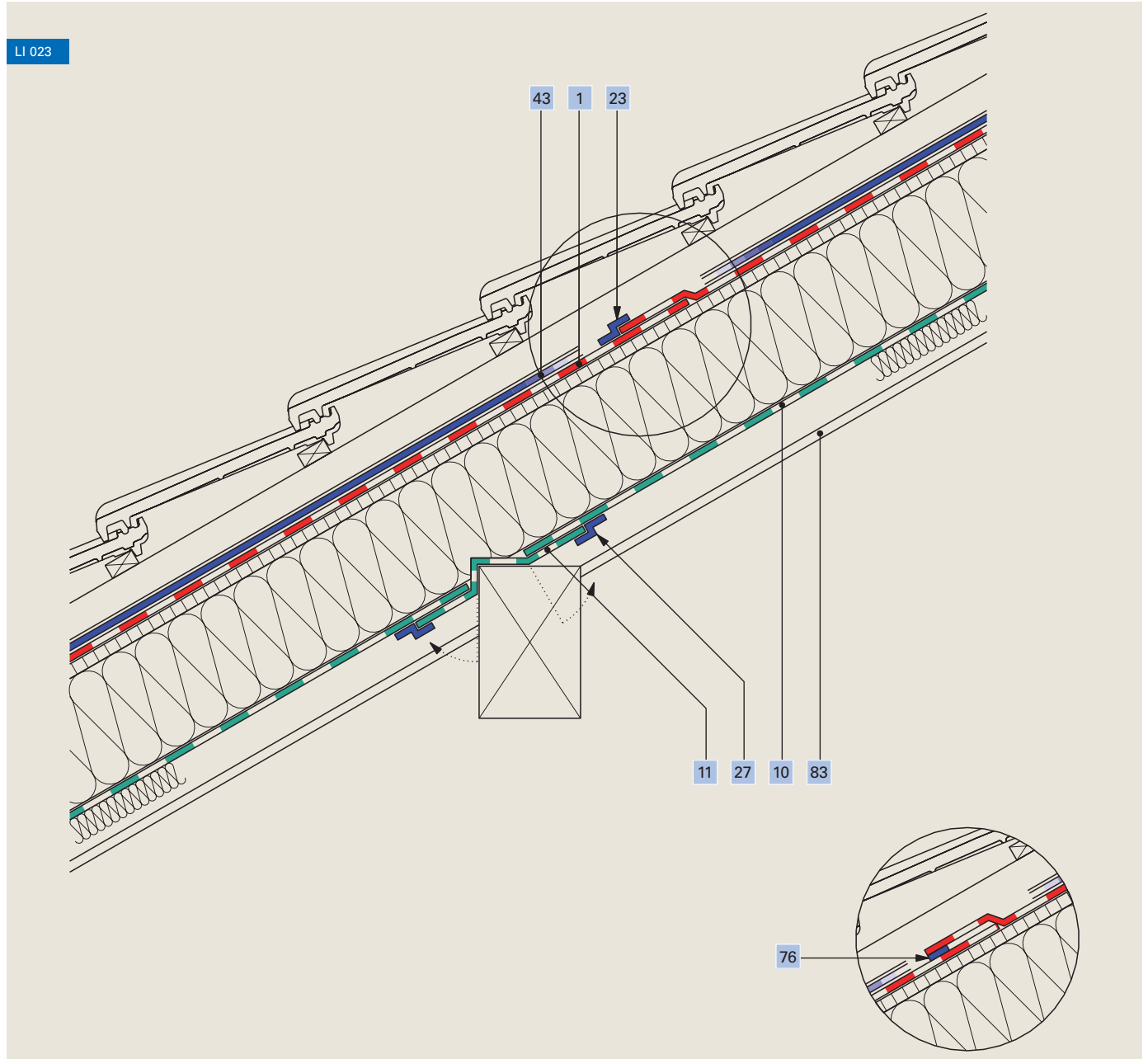
With one-sided adhesive tape



1	Roof membrane Ampatop® Protecta (plus)	43	Nail sealing tape Ampacoll® ND.Band
10	Vapour check Ampatex® DB 90	48	Primer Ampacoll® Airmax
33	Adhesive tape Ampacoll® BK 535, 80 mm	83	Inner cladding
34	Adhesive tape Ampacoll® BK 535, 50 mm		

Air tightness interior construction, purlin connection

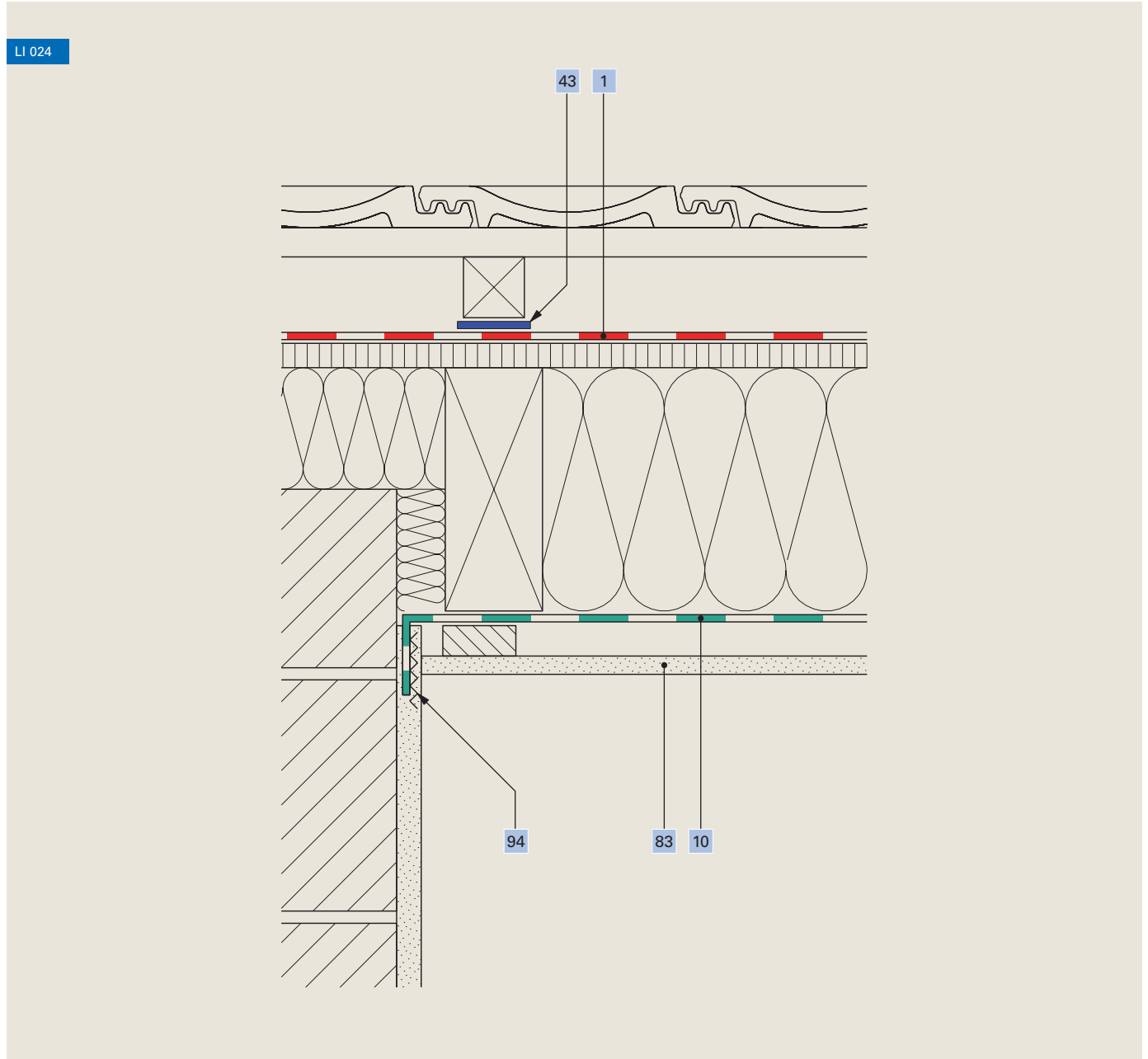
With strips



1	Roof membrane Ampatop® Protecta (plus)	43	Nail sealing tape Ampacoll® ND.Band
10	Vapour check Ampatex® DB 90	76	Alternative bonding: Integrated tapes (Ampatop® Protecta plus)
11	Purlin connection strip Ampatex® DB 90	83	Inner cladding
23	Adhesive tape Ampacoll® XT, 60 mm		
27	Adhesive tape Ampacoll® INT		

Air tightness interior construction, edge connection

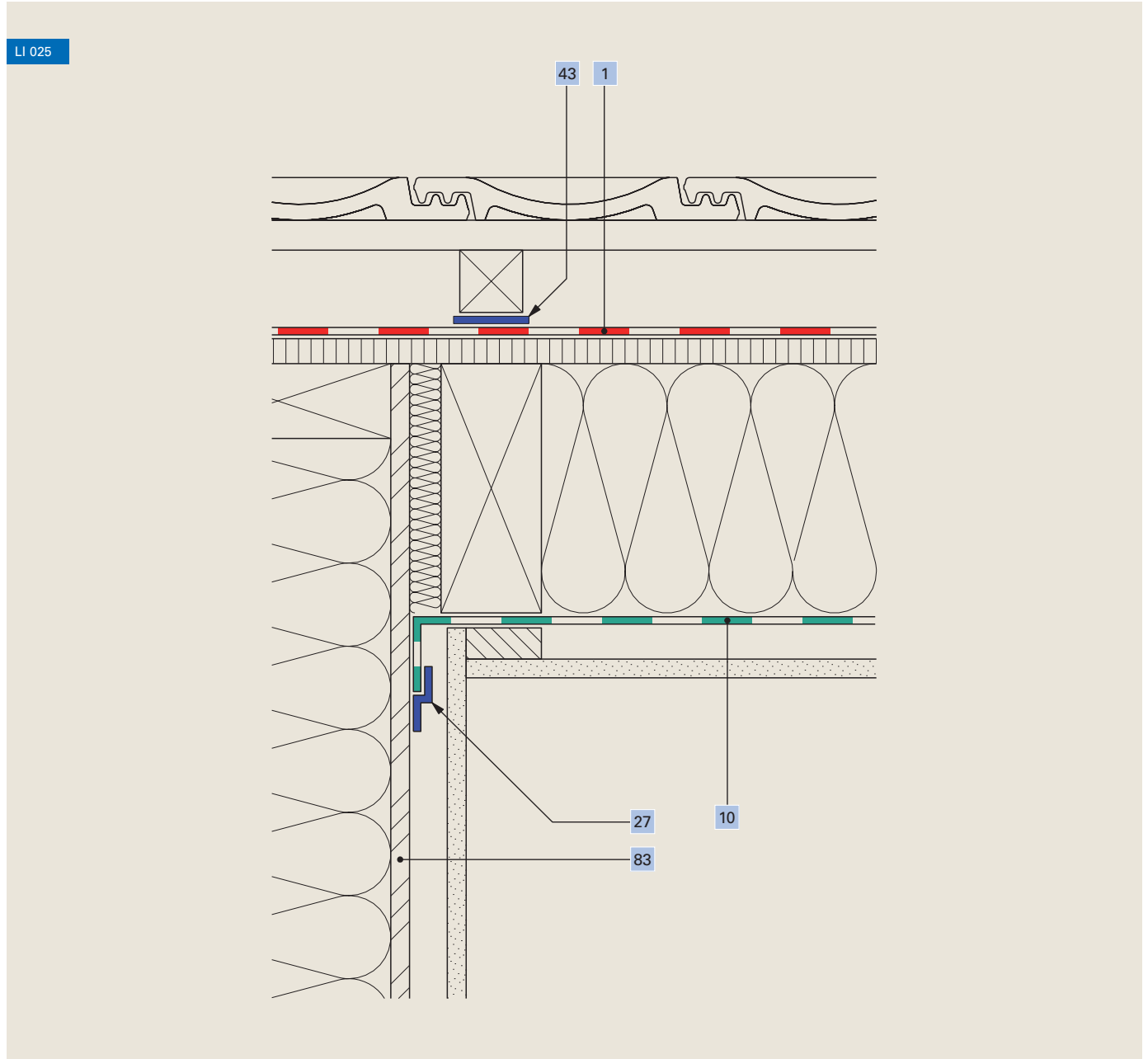
Plastered, masonry



1	Roof membrane Ampatop® Protecta (plus)	83	Inner cladding
10	Vapour check Ampatex® DB 90	94	Support for plaster (e.g. expanded metal)
43	Nail sealing tape Ampacoll® ND.Band		

Air tightness interior construction, edge connection

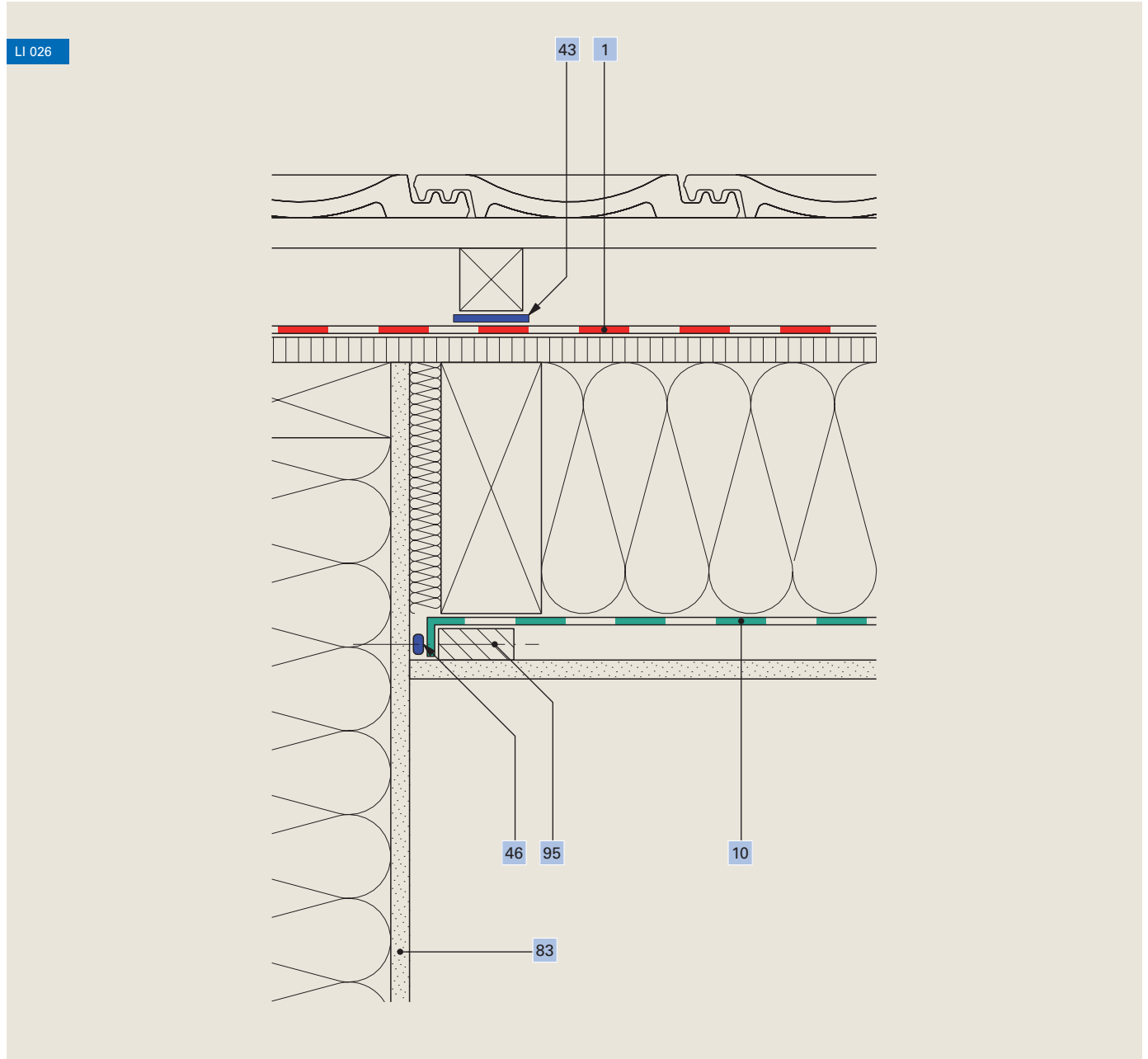
With adhesive tape, wood construction



1	Roof membrane Ampatop® Protecta (plus)	43	Nail sealing tape Ampacoll® ND.Band
10	Vapour check Ampatex® DB 90	83	Inner cladding (airtight)
27	Adhesive tape Ampacoll® INT		

Air tightness interior construction, edge connection

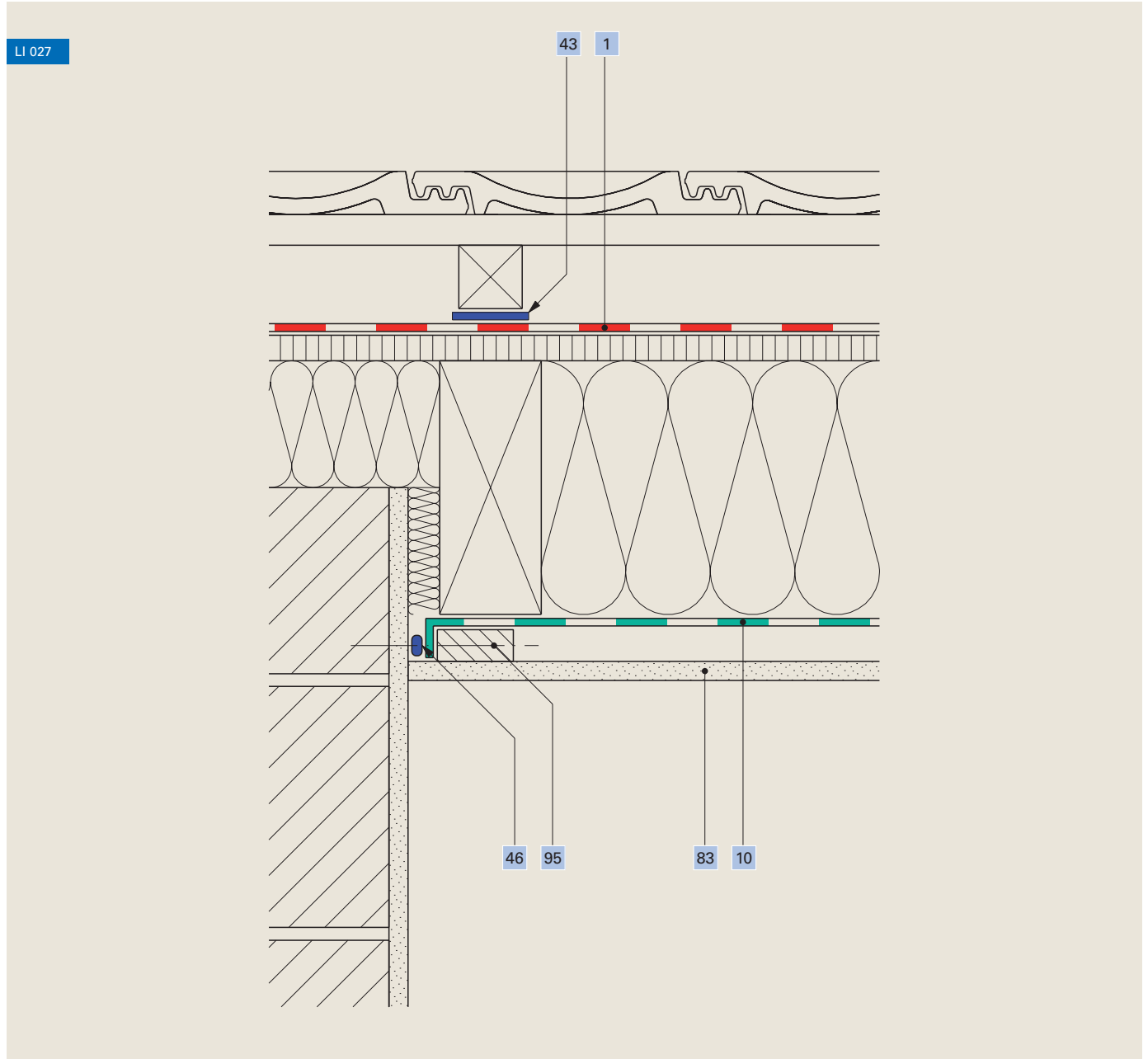
With adhesive mass, wood construction



1	Roof membrane Ampatop® Protecta (plus)	46	Edge connection adhesive Ampacoll® RA
10	Vapour check Ampatex® DB 90	83	Inner cladding (airtight)
43	Nail sealing tape Ampacoll® ND.Band	95	Press-on batten

Air tightness interior construction, edge connection

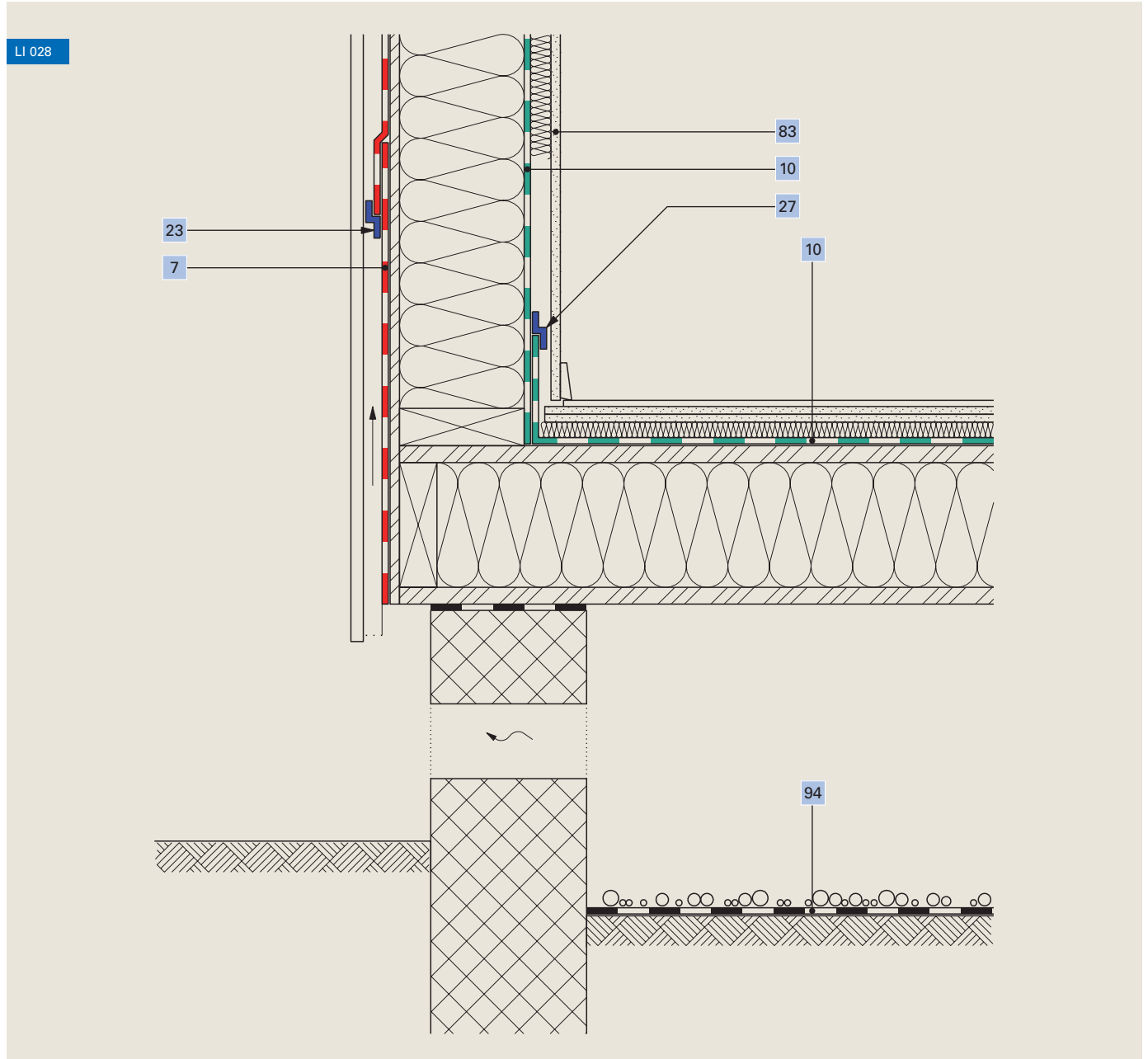
With adhesive mass, masonry



1	Roof membrane Ampatop® Protecta (plus)	46	Edge connection adhesive Ampacoll® RA
10	Vapour check Ampatex® DB 90	83	Inner cladding
43	Nail sealing tape Ampacoll® ND.Band	95	Press-on batten

Air tightness interior construction, sill

Wood element construction on concrete plinth

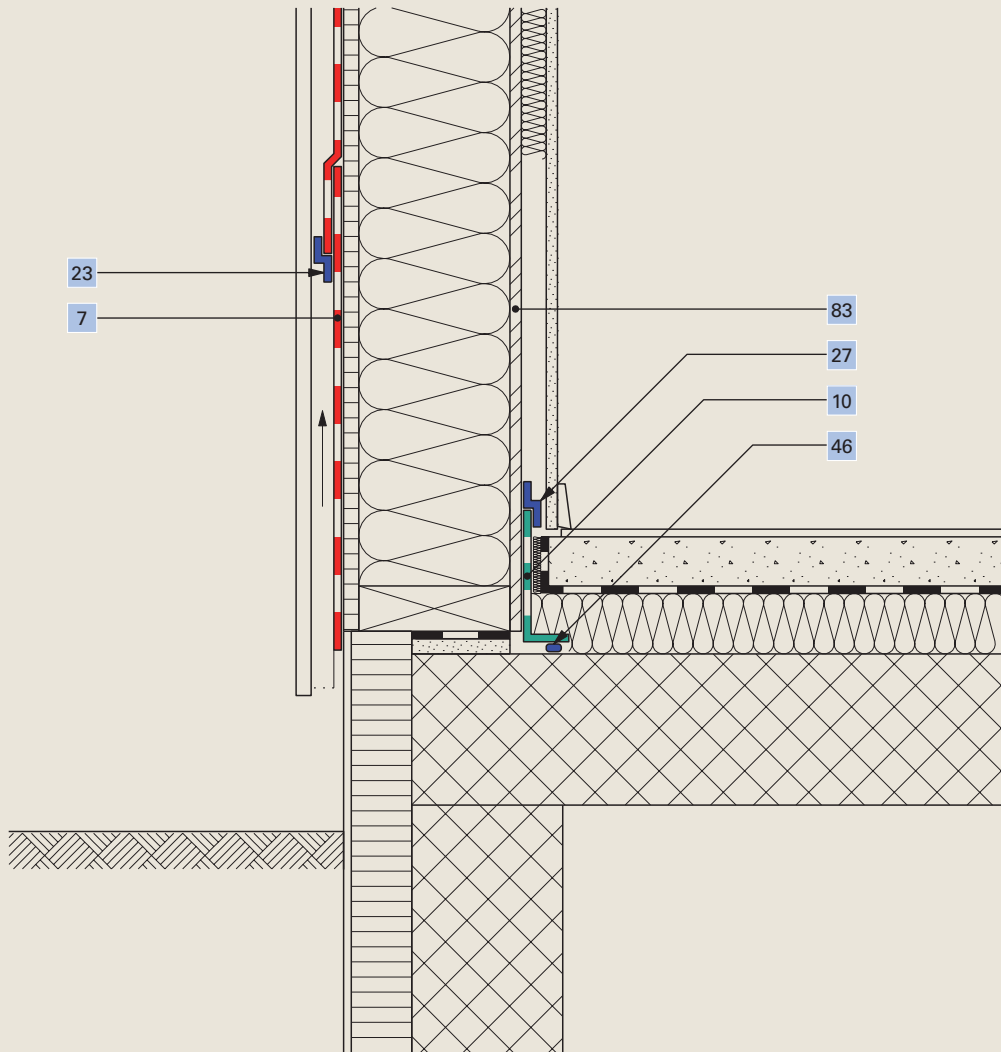


7	Wall membrane Ampatop® Aero	27	Adhesive tape Ampacoll® INT
10	Vapour check Ampatex® DB 90	83	Inner cladding
23	Adhesive tape Ampacoll® XT, 60 mm	94	Strip to protect against increase in dampness of cavity / crawl space

Air tightness interior construction, sill

With strips, wooden wall on concrete plate

LI 029

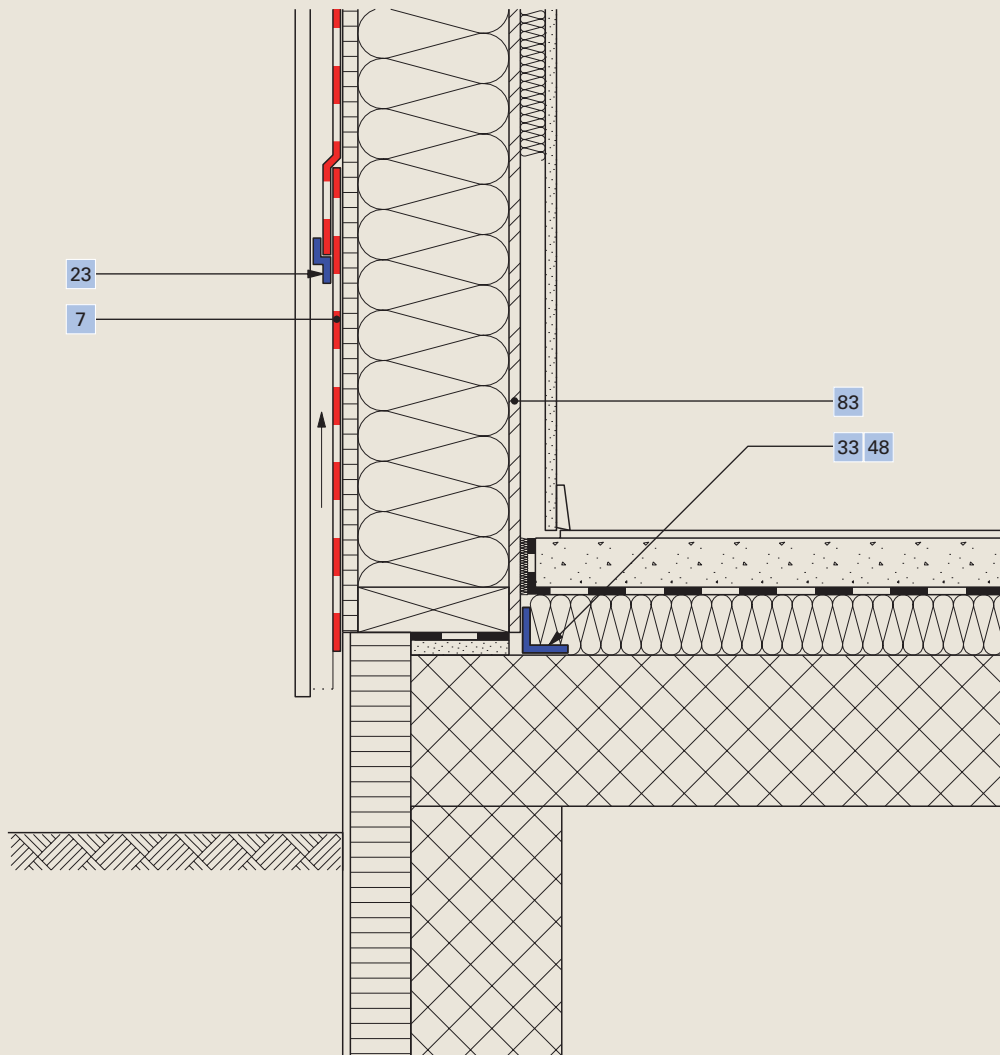


7	Wall membrane Ampatop® Aero	27	Adhesive tape Ampacoll® INT
10	Vapour check Ampatex® DB 90	46	Liquid adhesive Ampacoll® Superfix
23	Adhesive tape Ampacoll® XT, 60 mm	83	Inner cladding (airtight)

Air tightness interior construction, sill

With butyl tape, wooden wall on concrete plate

LI 030



7 Wall membrane **Ampatop® Aero**

23 Adhesive tape **Ampacoll® XT**, 60 mm

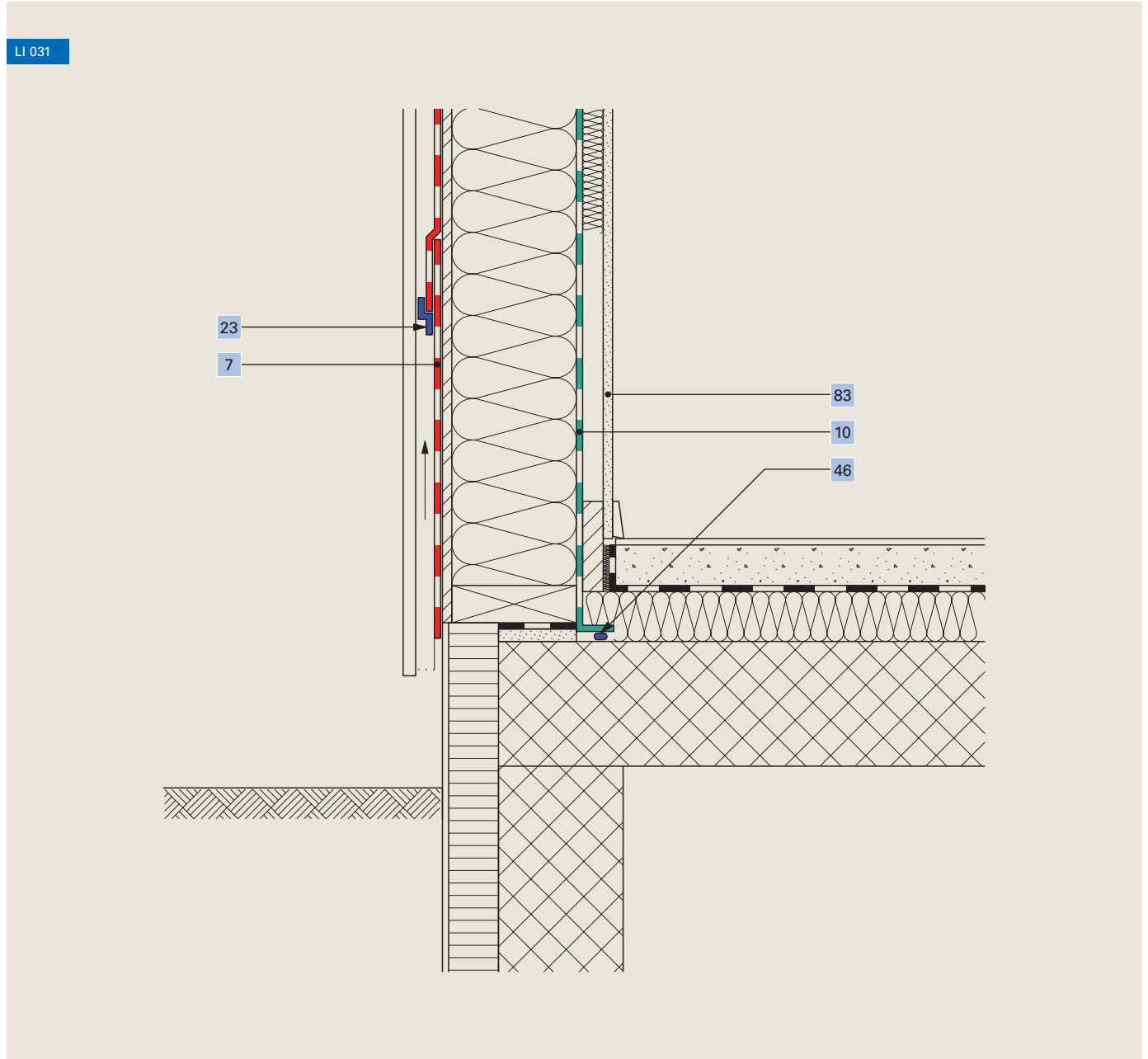
33 Adhesive tape **Ampacoll® BK 535**, 120 mm

48 Primer **Ampacoll® Primax**

83 Inner cladding (airtight)

Air tightness interior construction, sill

With adhesive mass, wooden wall on concrete plate

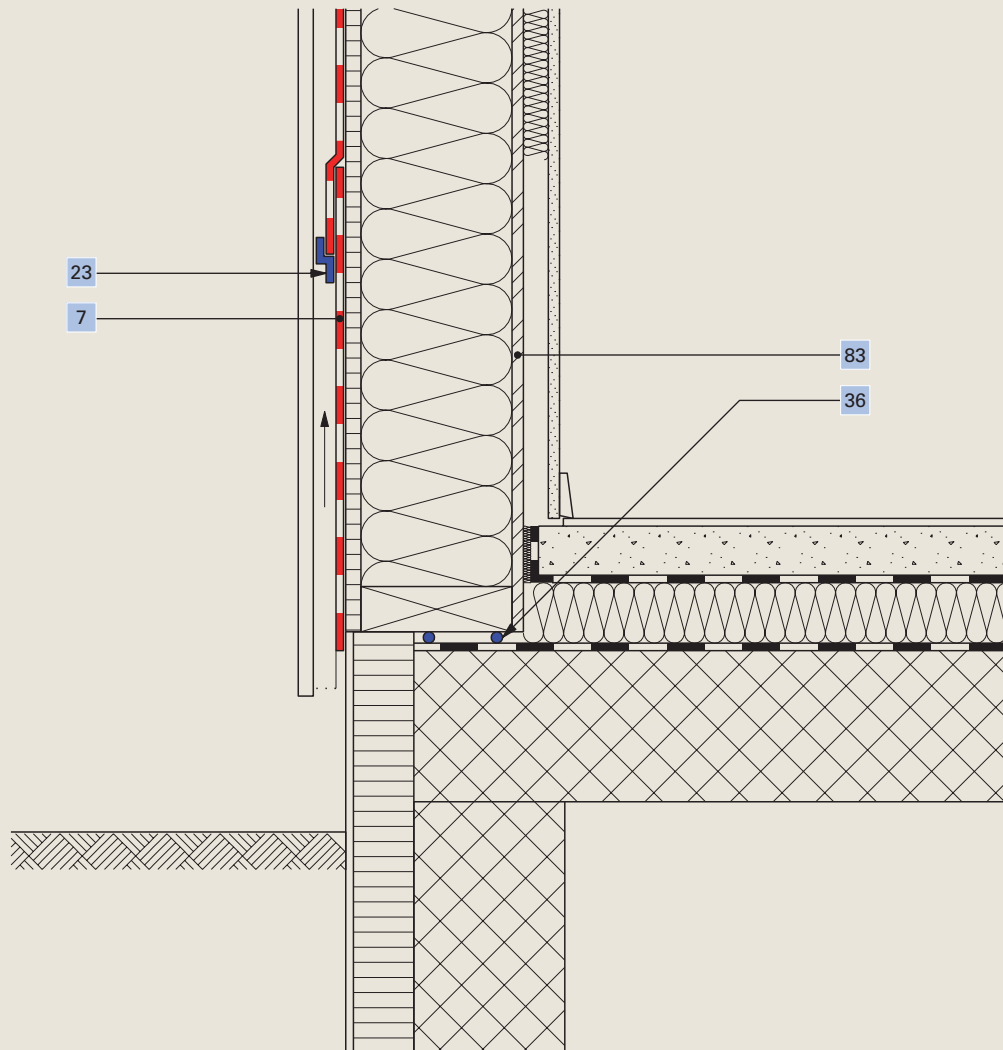


7	Wall membrane Ampatop® Aero	46	Liquid adhesive Ampacoll® Superfix
10	Vapour check Ampatex® DB 90	83	Inner cladding
23	Adhesive tape Ampacoll® XT, 60 mm		

Air tightness interior construction, sill

With round cord, wooden wall on concrete plate

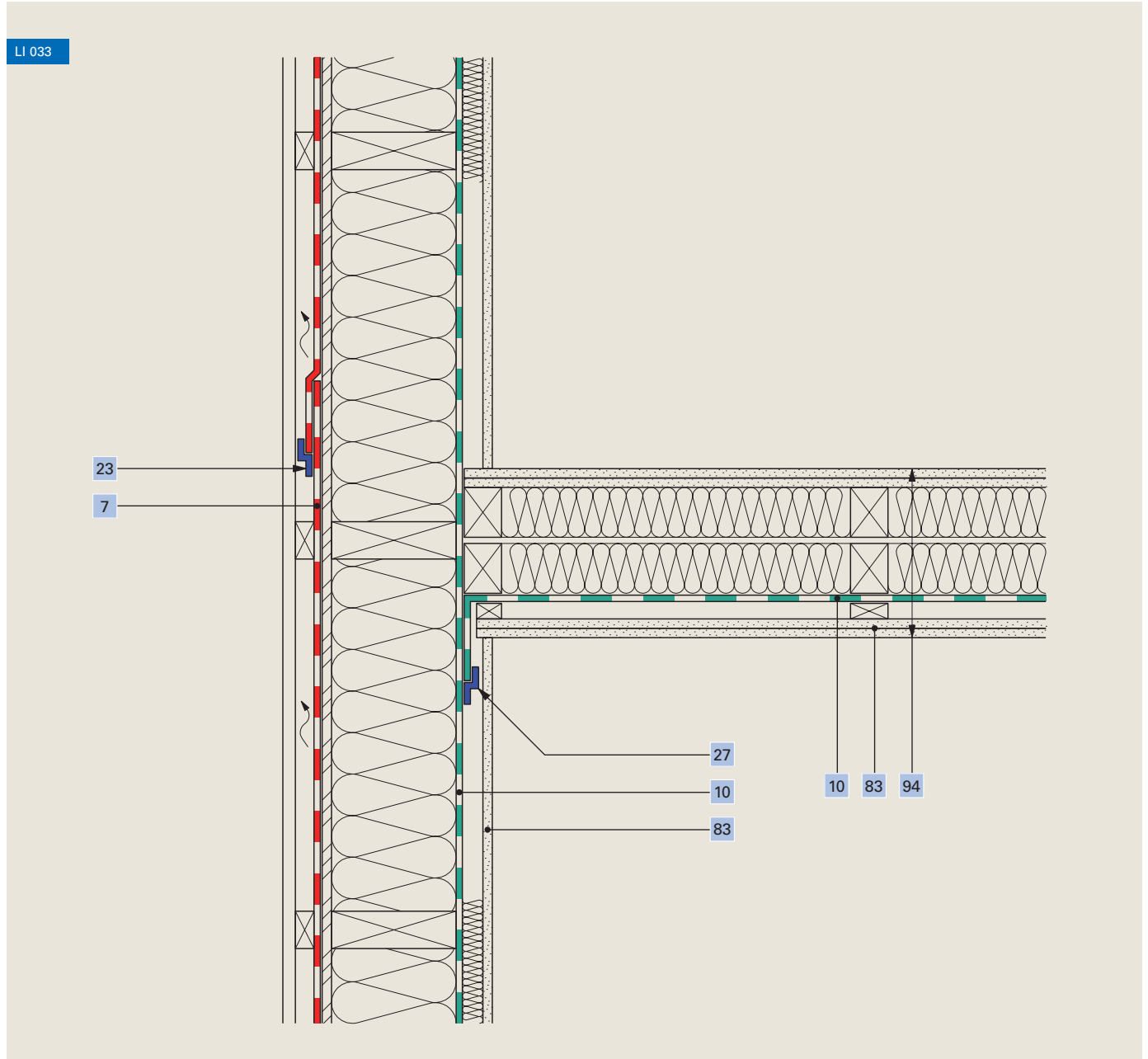
LI 032



7	Wall membrane Ampatop® Aero	36	Round cord Ampacoll® RS , 20 mm
23	Adhesive tape Ampacoll® XT , 60 mm	83	Inner cladding (airtight)

Air tightness interior construction, apartment separation wall

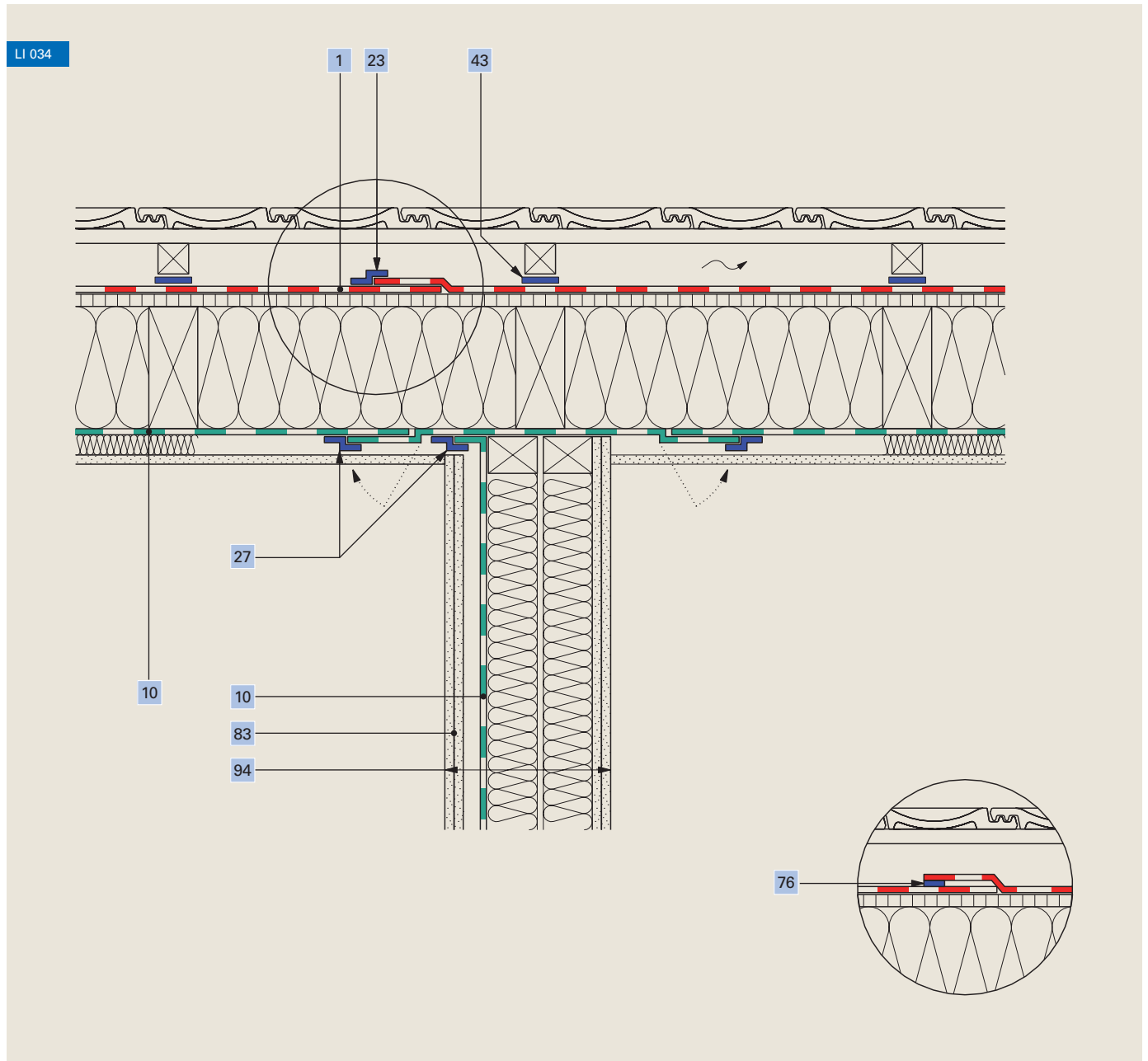
Connection between internal and external wall



7	Wall membrane Ampatop® Aero	27	Adhesive tape Ampacoll® INT
10	Airtight layer Ampatex® DB 90	83	Inner cladding
23	Adhesive tape Ampacoll® XT, 60 mm	94	Apartment separation wall

Air tightness interior construction, apartment separation wall

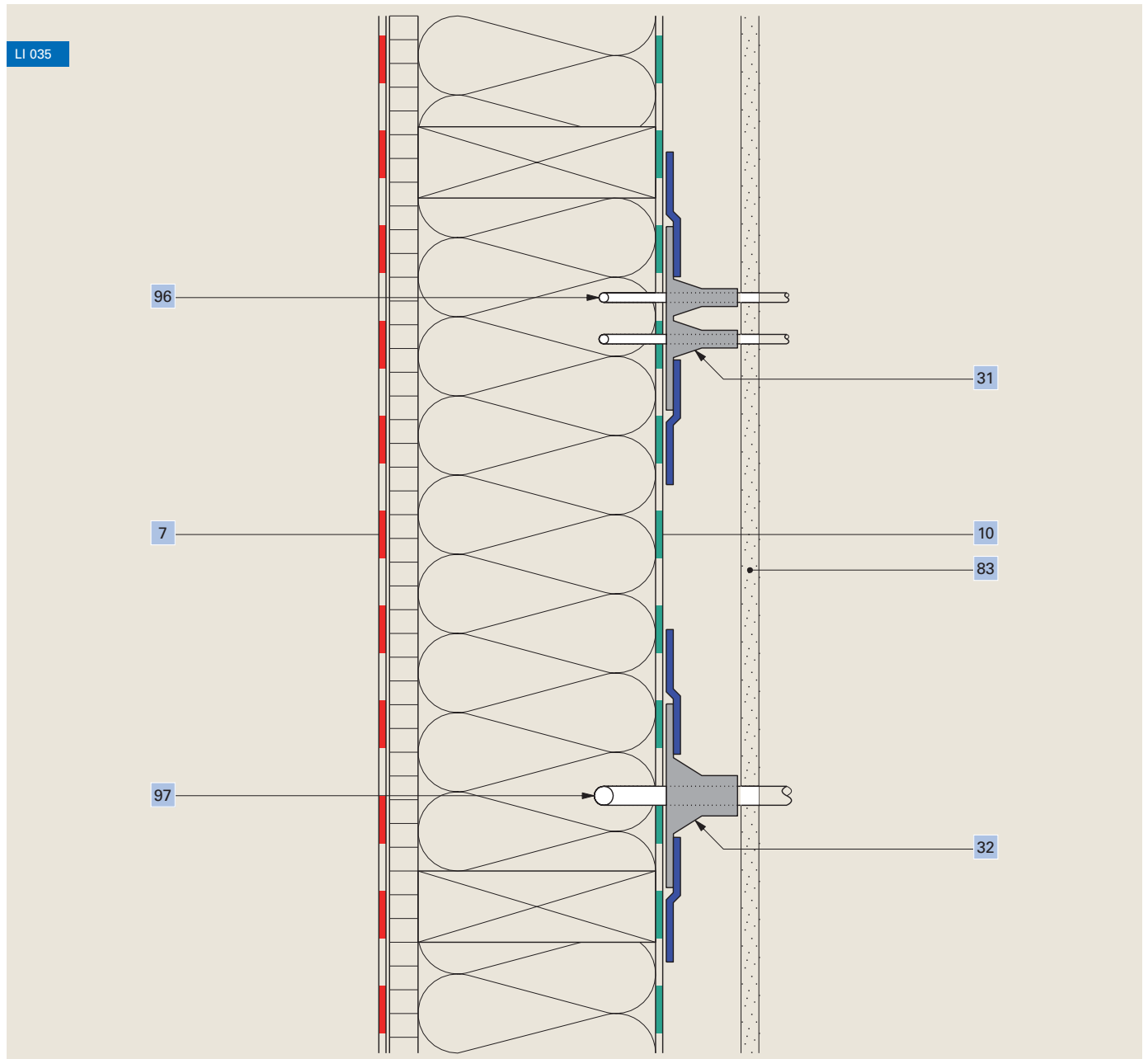
Connection between internal wall and roof pitch



1	Roof membrane Ampatop® Protecta (plus)	76	Alternative bonding: Integrated tapes (Ampatop® Protecta plus)
10	Airtight layer Ampatex® DB 90	83	Inner cladding
23	Adhesive tape Ampacoll® XT, 60 mm	94	Apartment separation wall
27	Adhesive tape Ampacoll® INT		
43	Nail sealing tape Ampacoll® ND.Band		

Air tightness interior construction, penetration

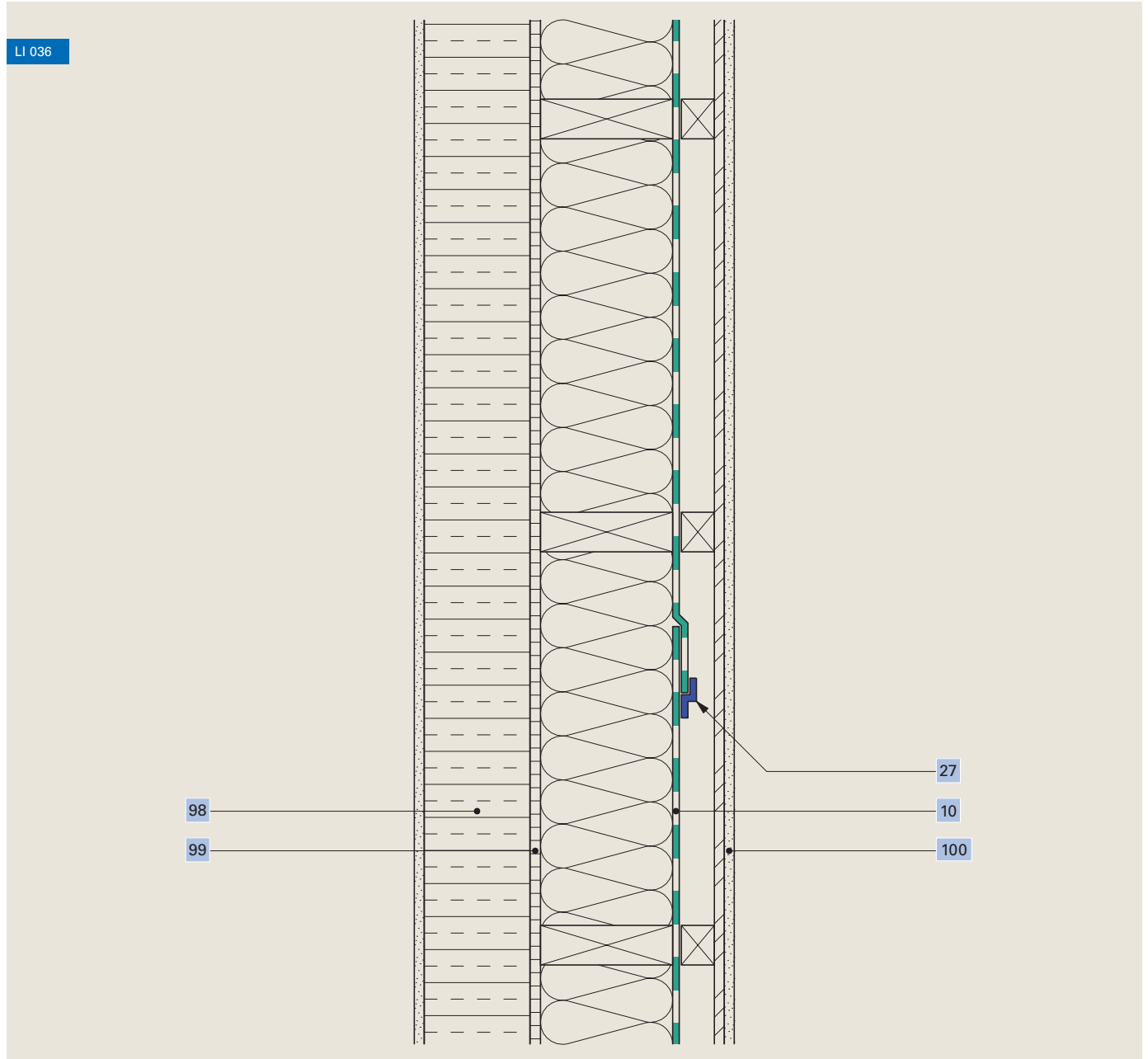
Penetrations with sleeves



7	Wall membrane Ampatop® Aero	83	Inner cladding
10	Vapour check Ampatex® DB 90	96	Electrical cable \varnothing 8 – 11 mm
31	Sleeve Ampacoll® Elektro 8 duo	97	Electrical ductwork \varnothing 8 – 33 mm
32	Sleeve Ampacoll® Elektro 8, 15, 25		

Air tightness interior construction

Wood construction with full heating insulation



10	Vapour check Ampatex® DB 90	99	Medium density fibre board
27	Adhesive tape Ampacoll® INT	100	Plasterboard
98	Full heating insulation		