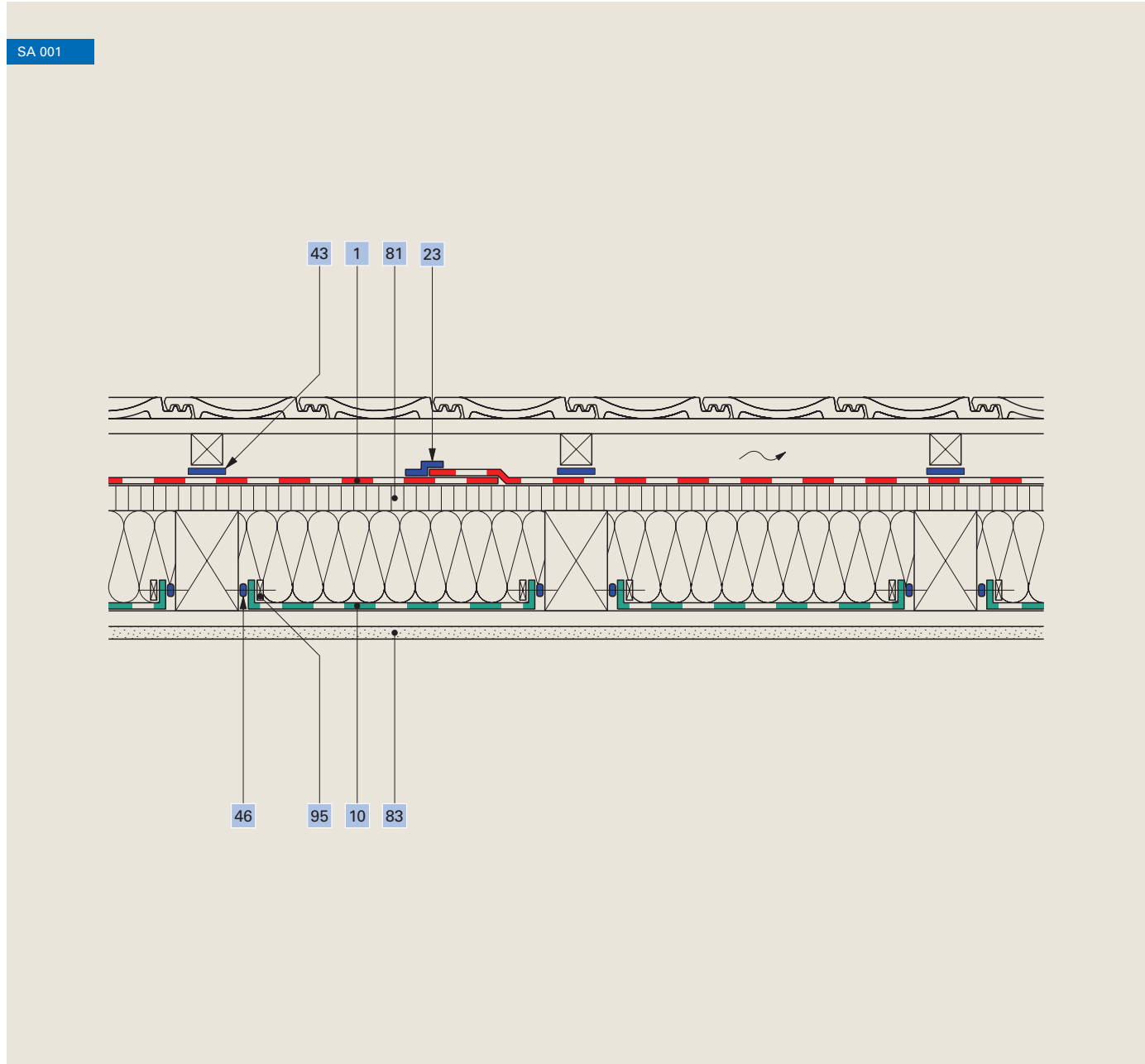


# Refurbishment, external refurbishment

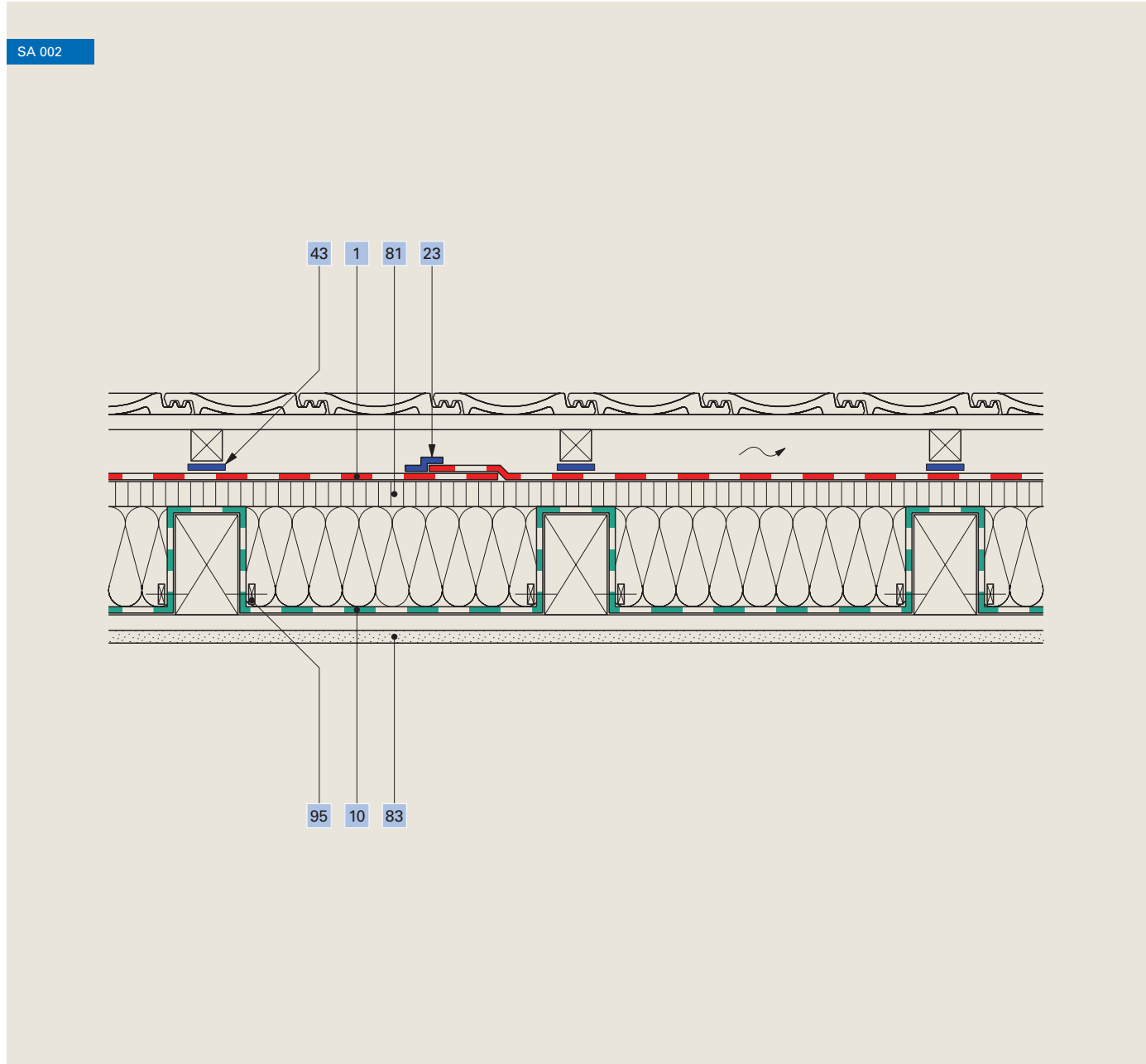
▀ Airtight layer as a tanking solution



1	Roof membrane <b>Ampatop® Protecta (plus)</b>	46	Liquid adhesive <b>Ampacoll® Superfix</b>
10	Vapour check <b>Ampatex® Resano®</b>	81	Soft wood fibre board
23	Adhesive tape <b>Ampacoll® XT, 60 mm</b>	83	Inner cladding
43	Nail sealing tape <b>Ampacoll® ND.Band</b>	95	Press-on batten

# Refurbishment, external refurbishment

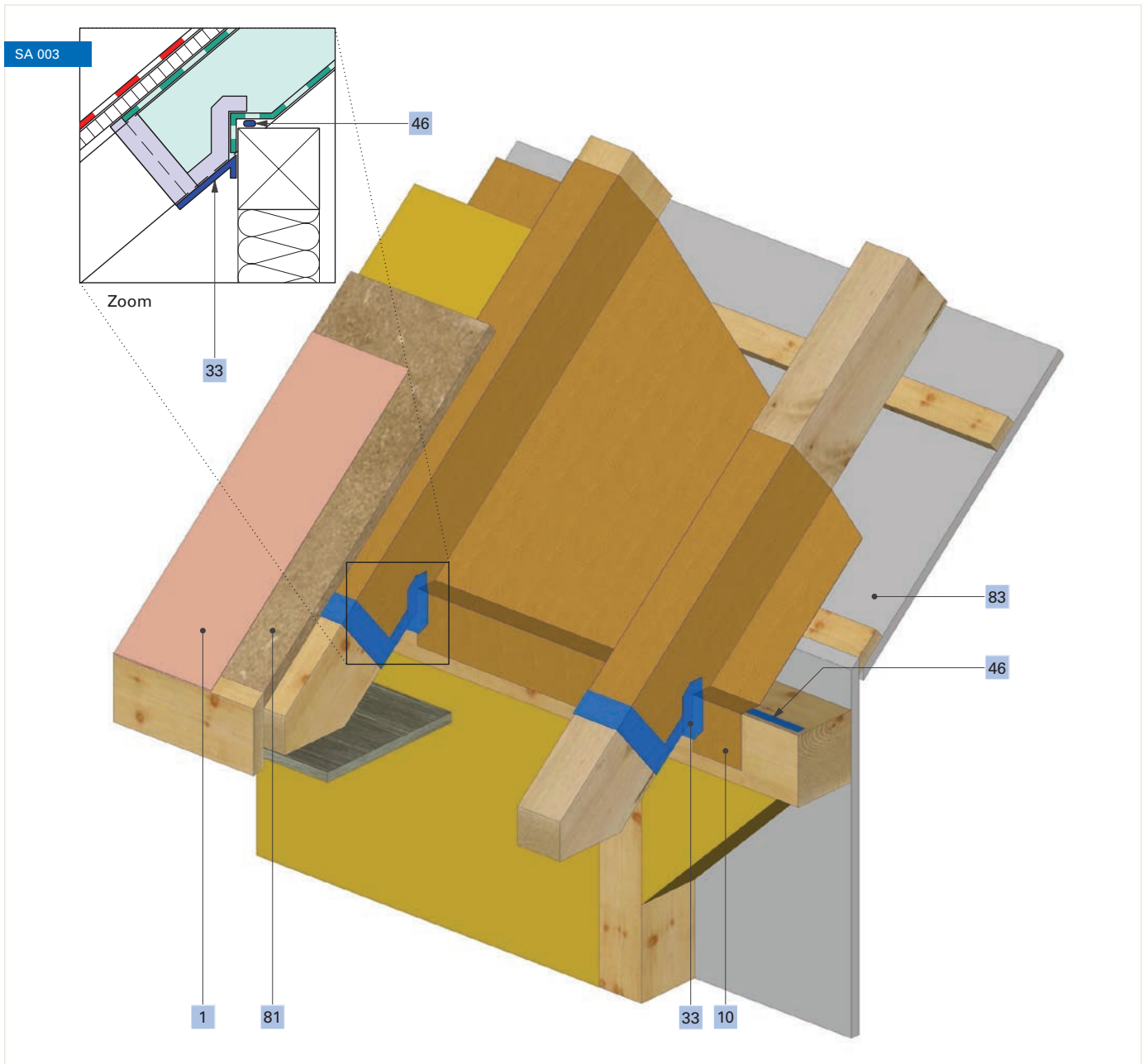
▀ Airtight layer positioned around the rafters



1	Roof membrane <b>Ampatop® Protecta (plus)</b>	81	Soft wood fibre board
10	Vapour check <b>Ampatex® Resano®</b>	83	Inner cladding
23	Adhesive tape <b>Ampacoll® XT, 60 mm</b>	95	Press-on batten
43	Nail sealing tape <b>Ampacoll® ND.Band</b>		

# Refurbishment, external refurbishment

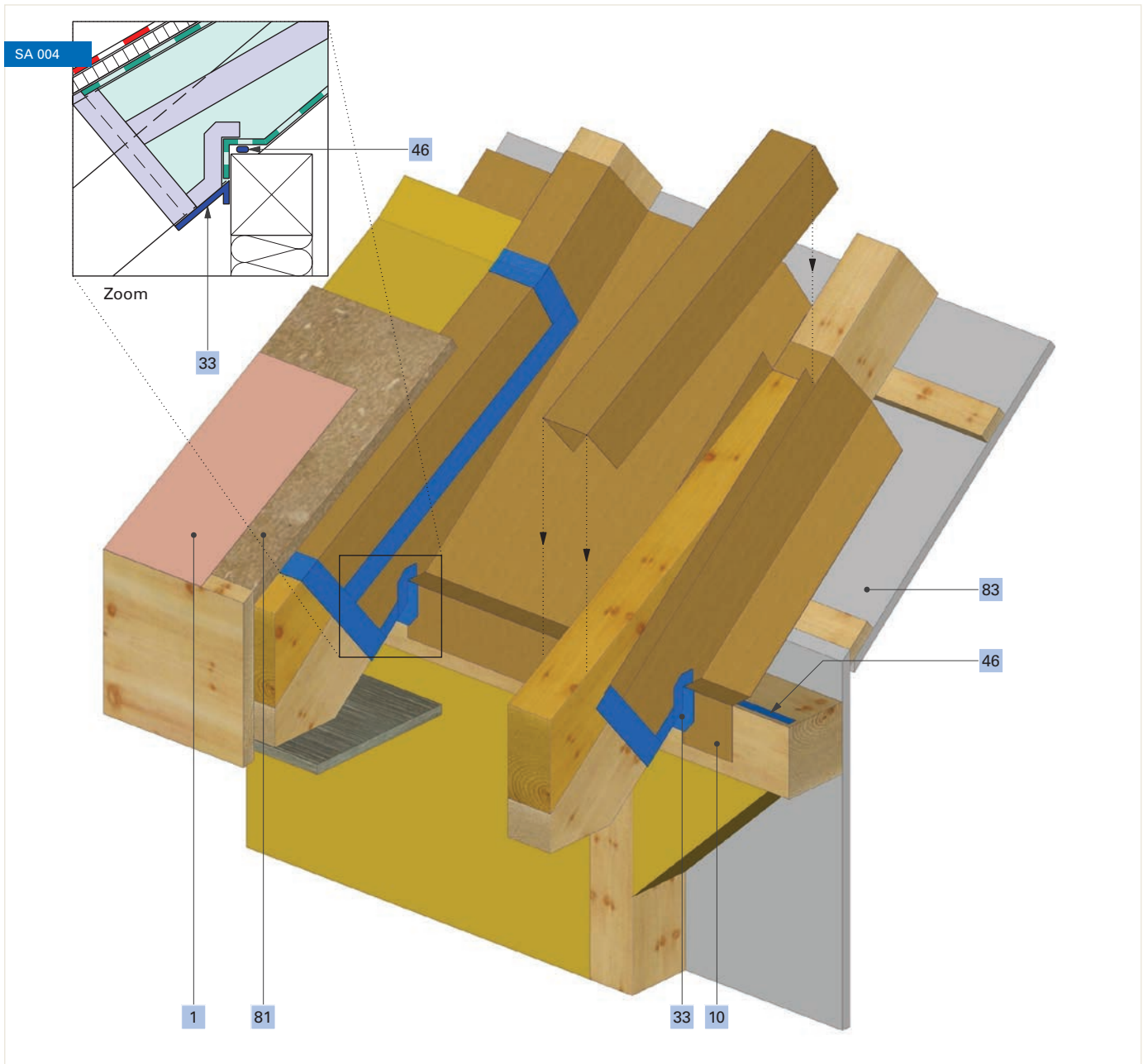
▀ Airtight layer next to the eaves purlins



1	Roof membrane <b>Ampatop® Protecta (plus)</b>	46	Liquid adhesive <b>Ampacoll® Superfix</b>
10	Vapour check <b>Ampatex® Resano®</b>	81	Soft wood fibre board
33	Adhesive tape <b>Ampacoll® BK 535, 50 mm</b>	83	Inner cladding

# Refurbishment, external refurbishment

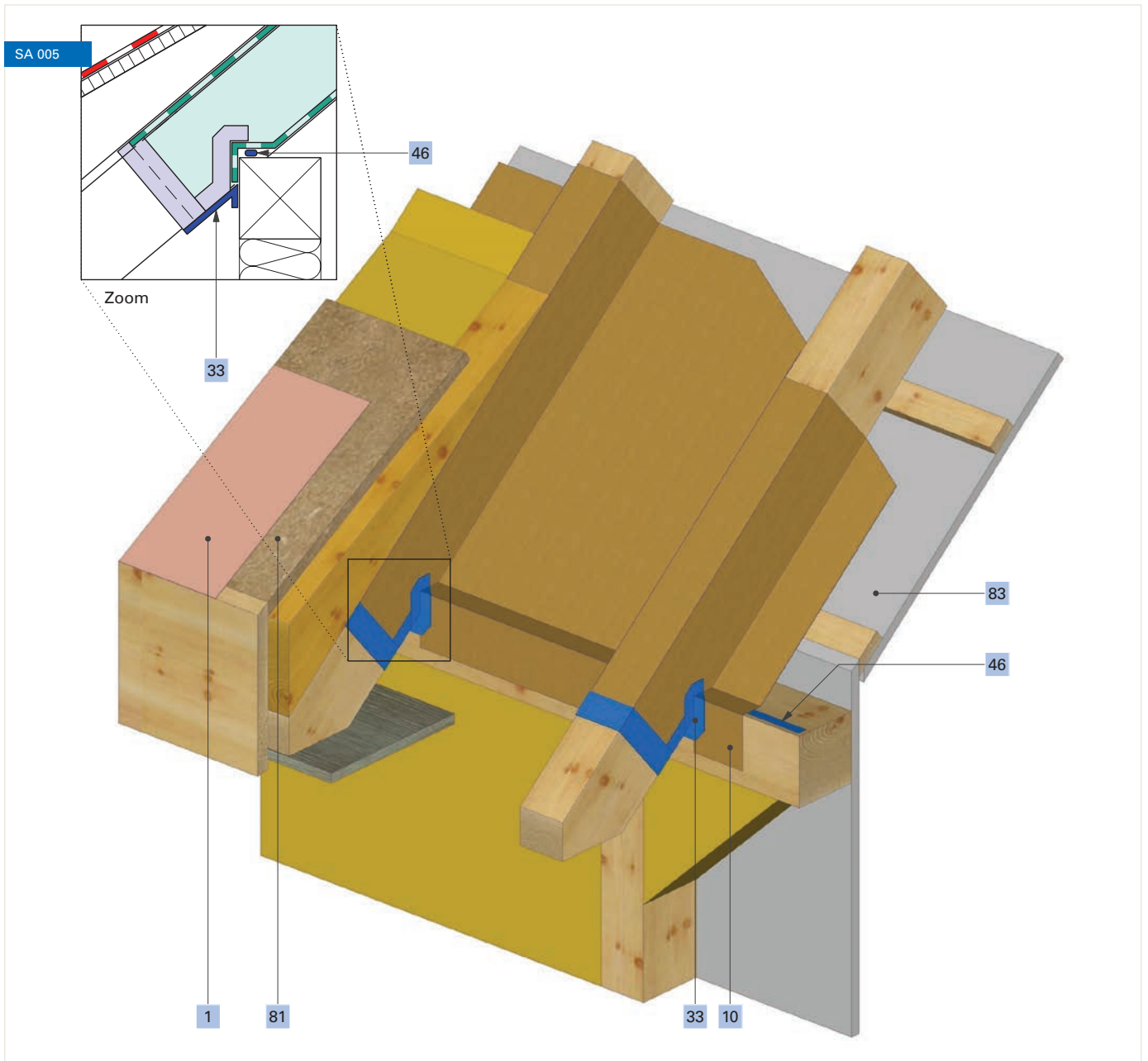
▀ Airtight layer next to the eaves lath



1	Roof membrane <b>Ampatop® Protecta (plus)</b>	46	Liquid adhesive <b>Ampacoll® Superfix</b>
10	Vapour check <b>Ampatex® Resano®</b>	81	Soft wood fibre board
33	Adhesive tape <b>Ampacoll® BK 535, 50 mm</b>	83	Inner cladding

## Refurbishment, external refurbishment

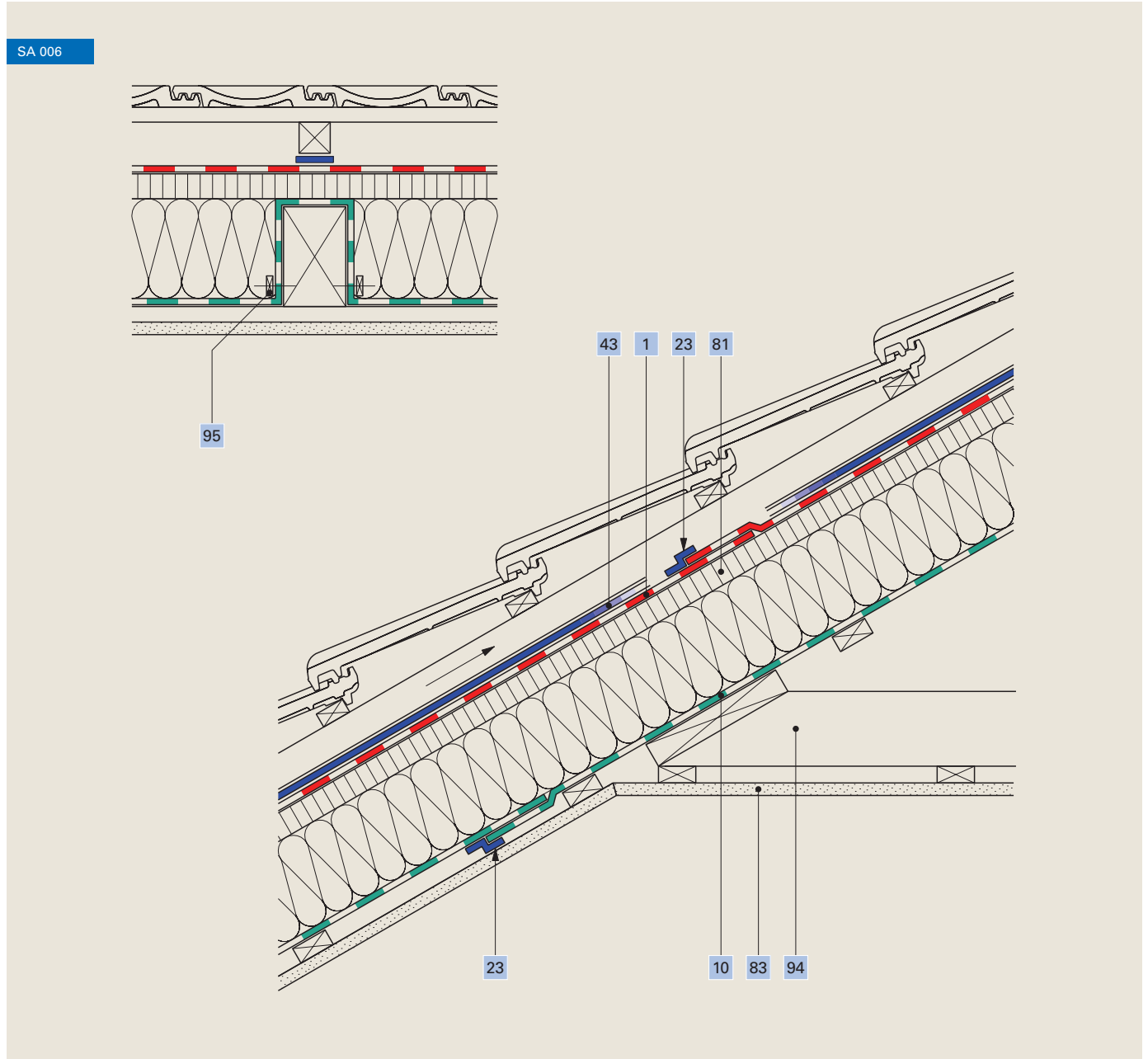
▀ Airtight layer next to the eaves lath



1	Roof membrane Ampatop® Protecta (plus)	46	Liquid adhesive Ampacoll® Superfix
10	Vapour check Ampatex® Resano®	81	Soft wood fibre board
33	Adhesive tape Ampacoll® BK 535, 50 mm	83	Inner cladding

# Refurbishment, external refurbishment

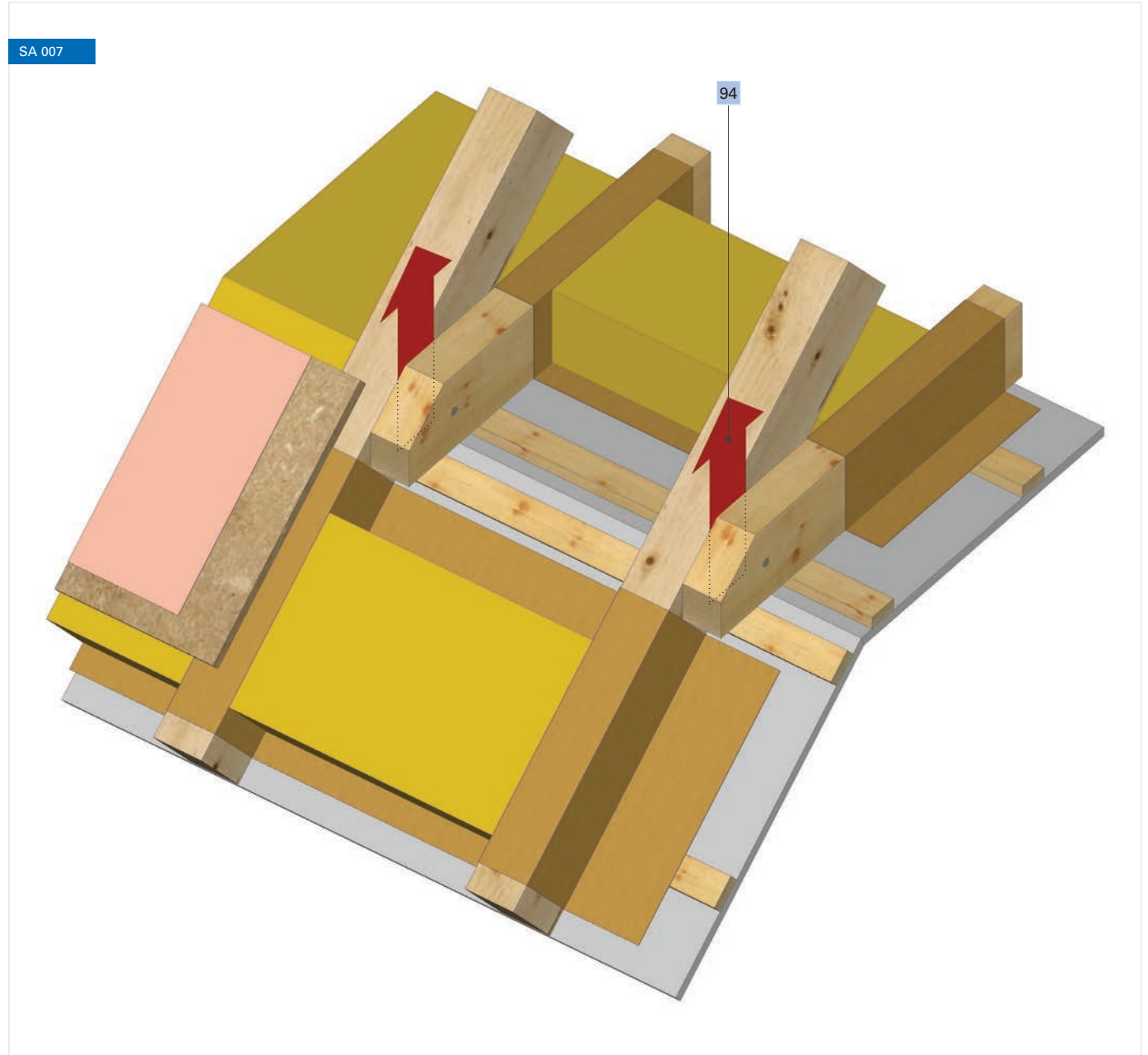
▀ Airtight layer in insulated area under the ridge



1	Roof membrane <b>Ampatop® Protecta (plus)</b>	81	Soft wood fibre board
10	Vapour check <b>Ampatex® Resano®</b>	83	Inner cladding
23	Adhesive tape <b>Ampacoll® XT, 60 mm</b>	94	Plier do not penetrate the air tight layer
43	Nail sealing tape <b>Ampacoll® ND.Band</b>	95	Press-on batten

## Refurbishment, external refurbishment

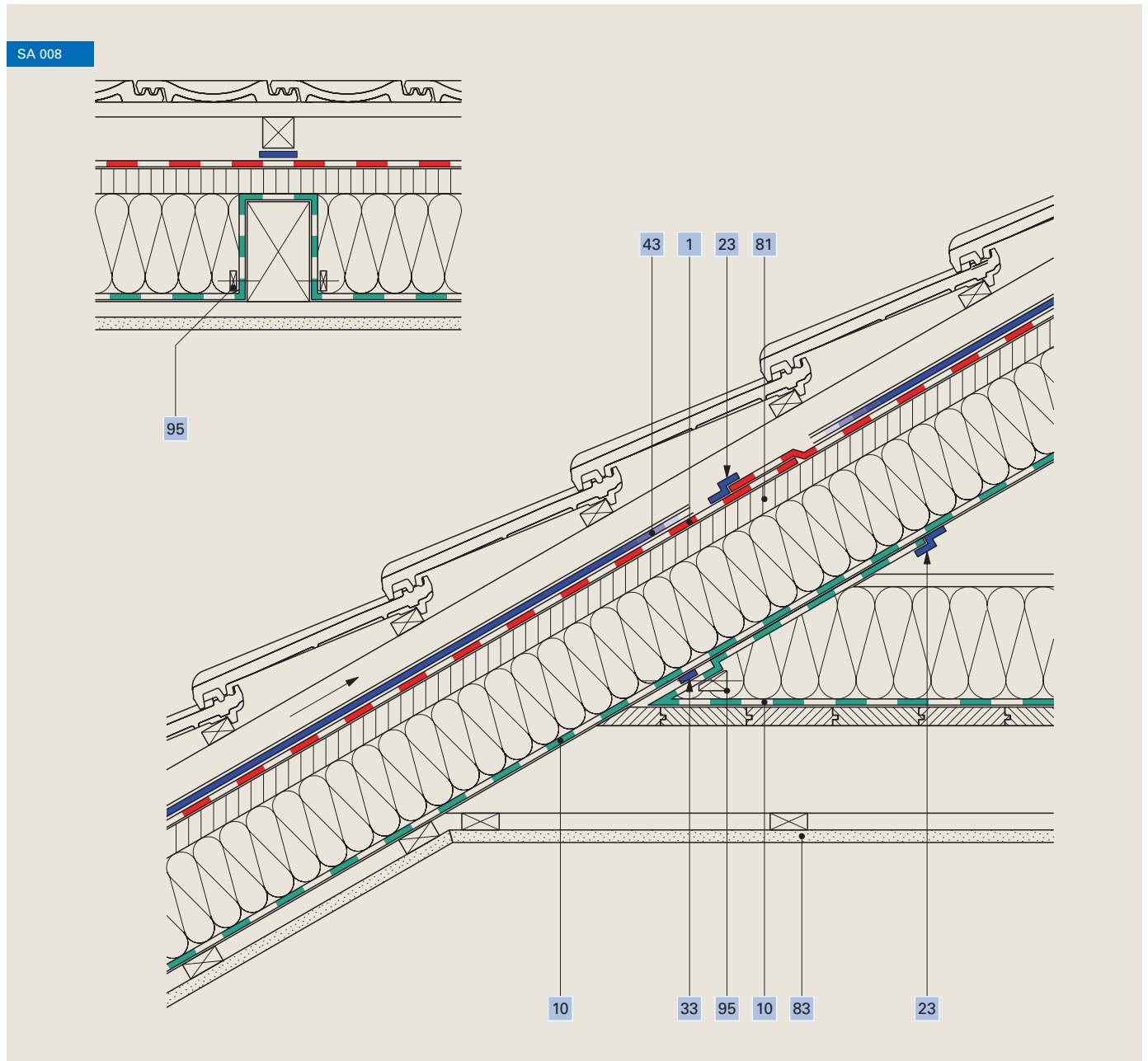
▀ Airtight layer and collar beam



94 It is not reasonably possible to seal this joint

# Refurbishment

▀ Airtight layer with collar beam insulated from above

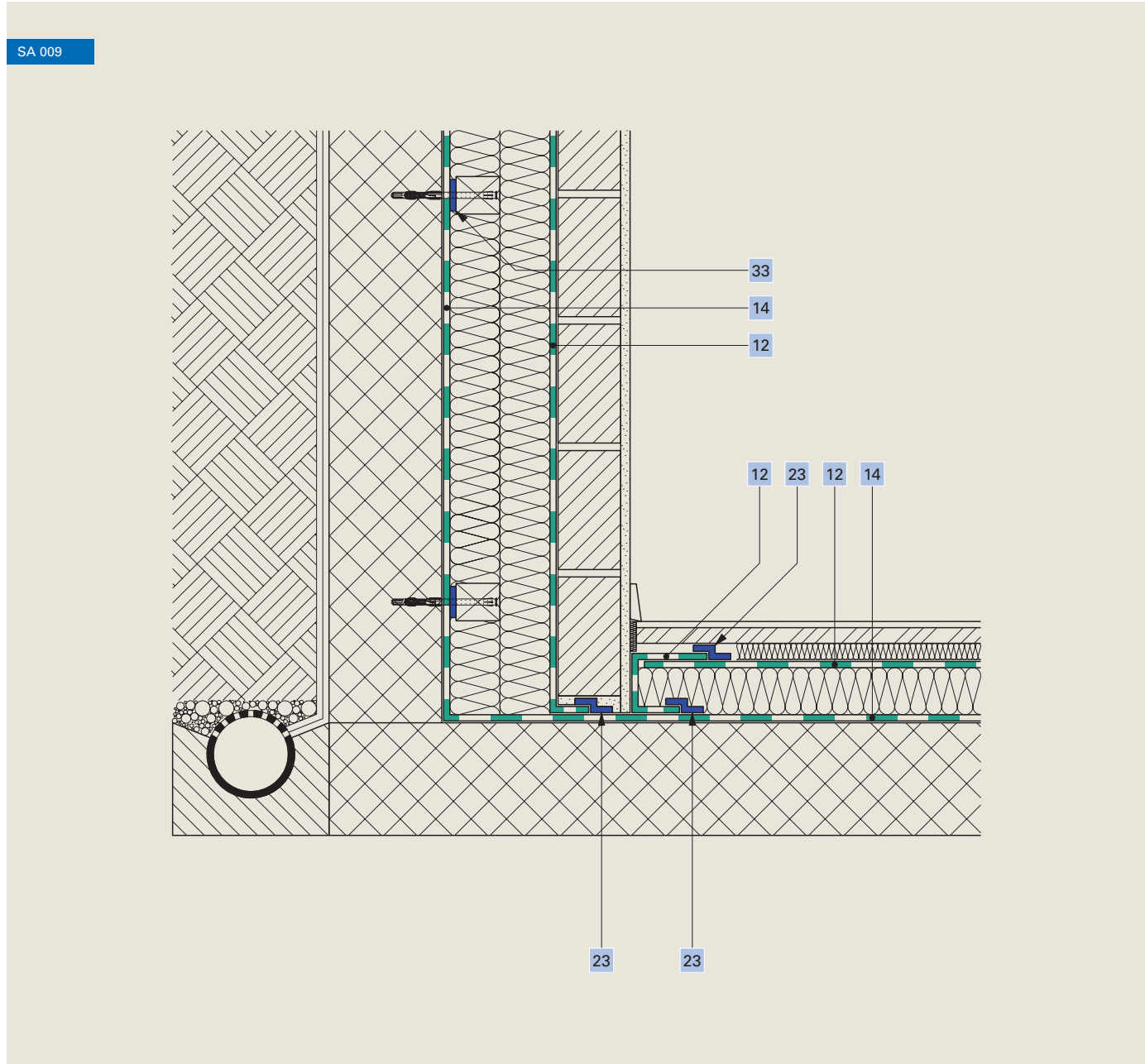


1	Roof membrane <b>Ampatop® Protecta (plus)</b>	43	Nail sealing tape <b>Ampacoll® ND.Band</b>
10	Vapour check <b>Ampatex® Resano®</b>	81	Soft wood fibre board
23	Adhesive tape <b>Ampacoll® XT, 60 mm</b>	83	Inner cladding
33	Adhesive tape <b>Ampacoll® BK 530, 15 mm</b>	95	Press-on batten



# Refurbishment

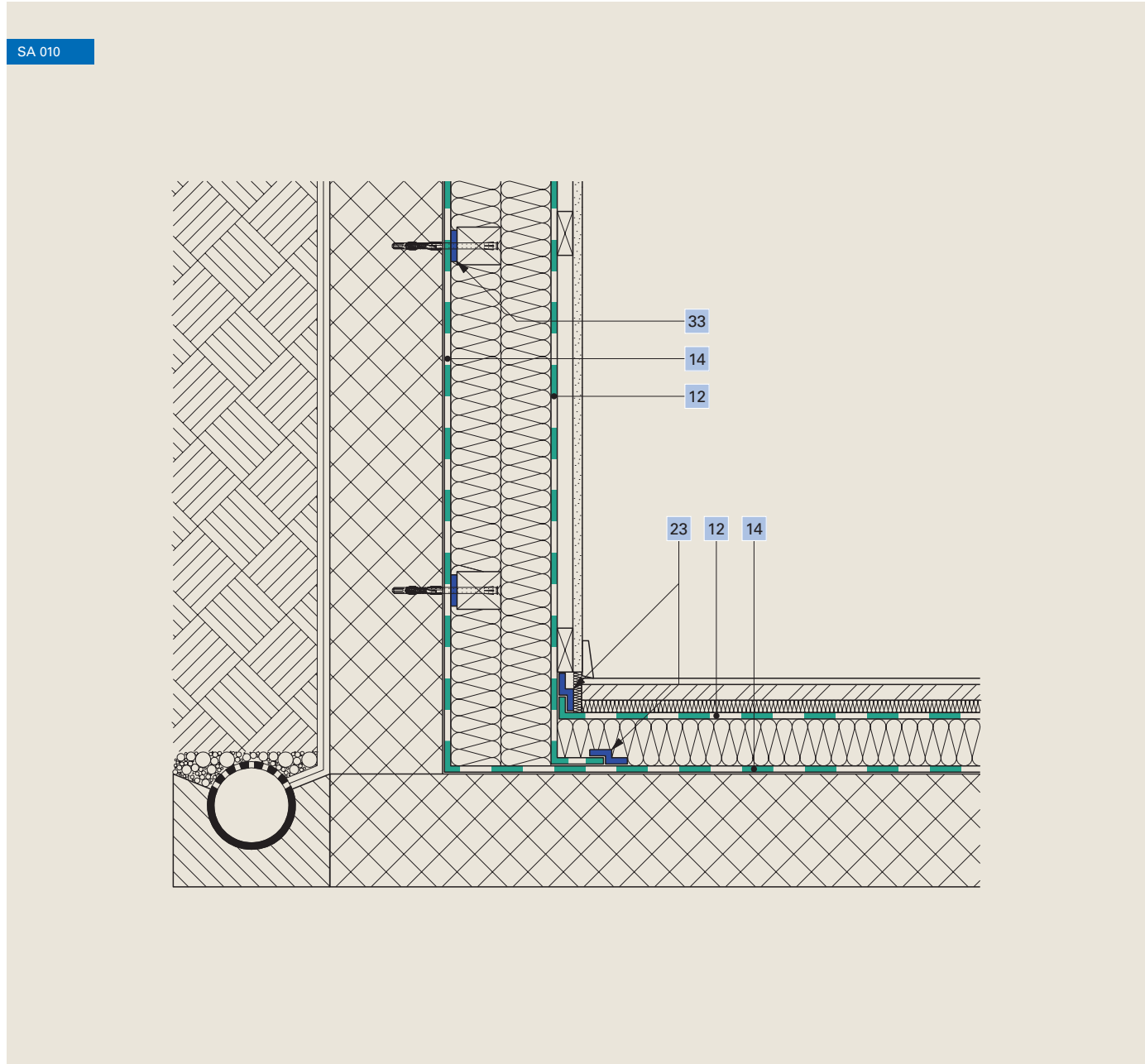
Cellar construction with interior insulation and cladding



12	Vapour barrier <b>Sisalex® 514</b>	23	Adhesive tape <b>Ampacoll® XT</b> , 60 mm
14	Vapour barrier <b>Sisalex® 518</b>	33	Adhesive tape <b>Ampacoll® BK 535</b> , 50 mm

# Refurbishment

Cellar construction with interior insulation and shell

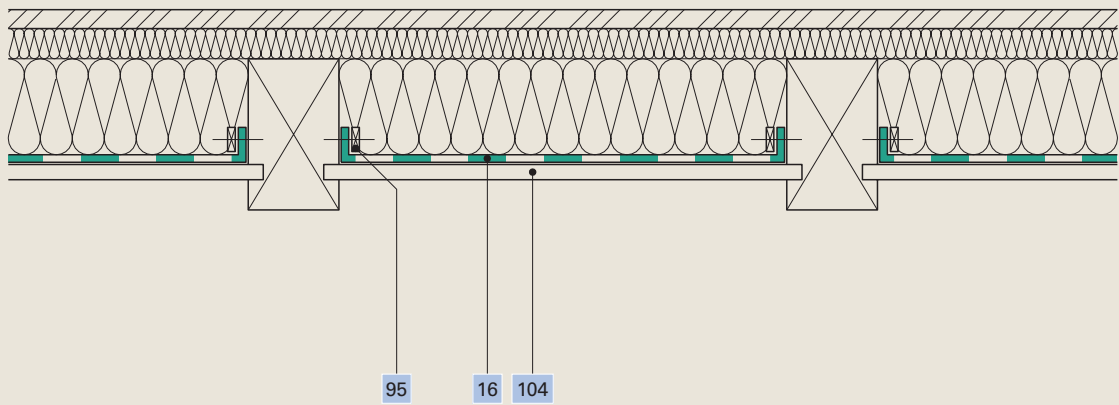


12	Vapour barrier <b>Sisalex® 514</b>	23	Adhesive tape <b>Ampacoll® XT</b> , 60 mm
14	Vapour barrier <b>Sisalex® 518</b>	33	Adhesive tape <b>Ampacoll® BK 535</b> , 50 mm

# Refurbishment

## Laying drip protection in ceiling

SA 011

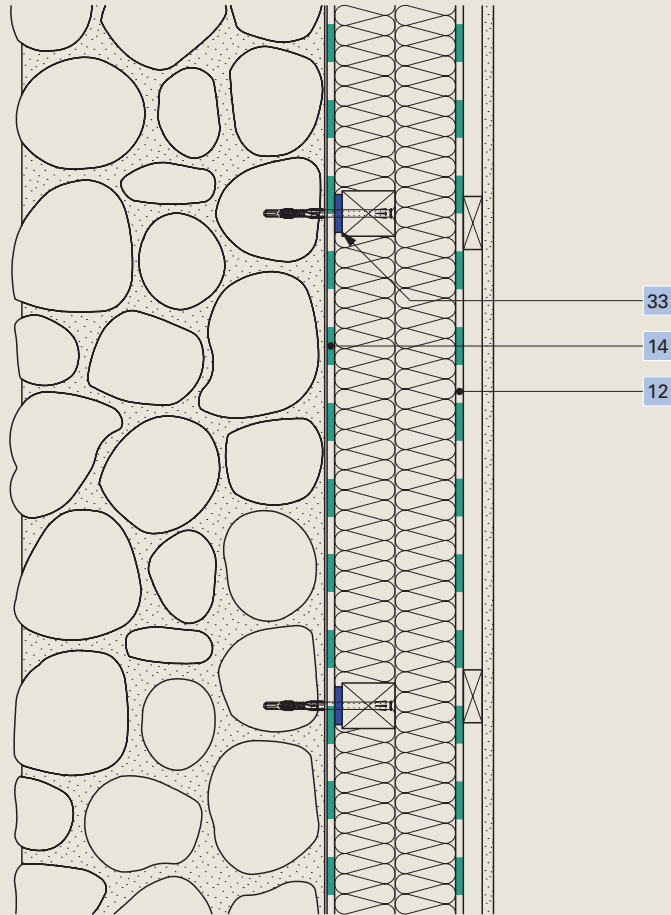


16	Drip protection <b>Sisalex® 30</b>
95	Press-on batten
104	Sliding floor

# Refurbishment

## Basement extension with pebble masonry

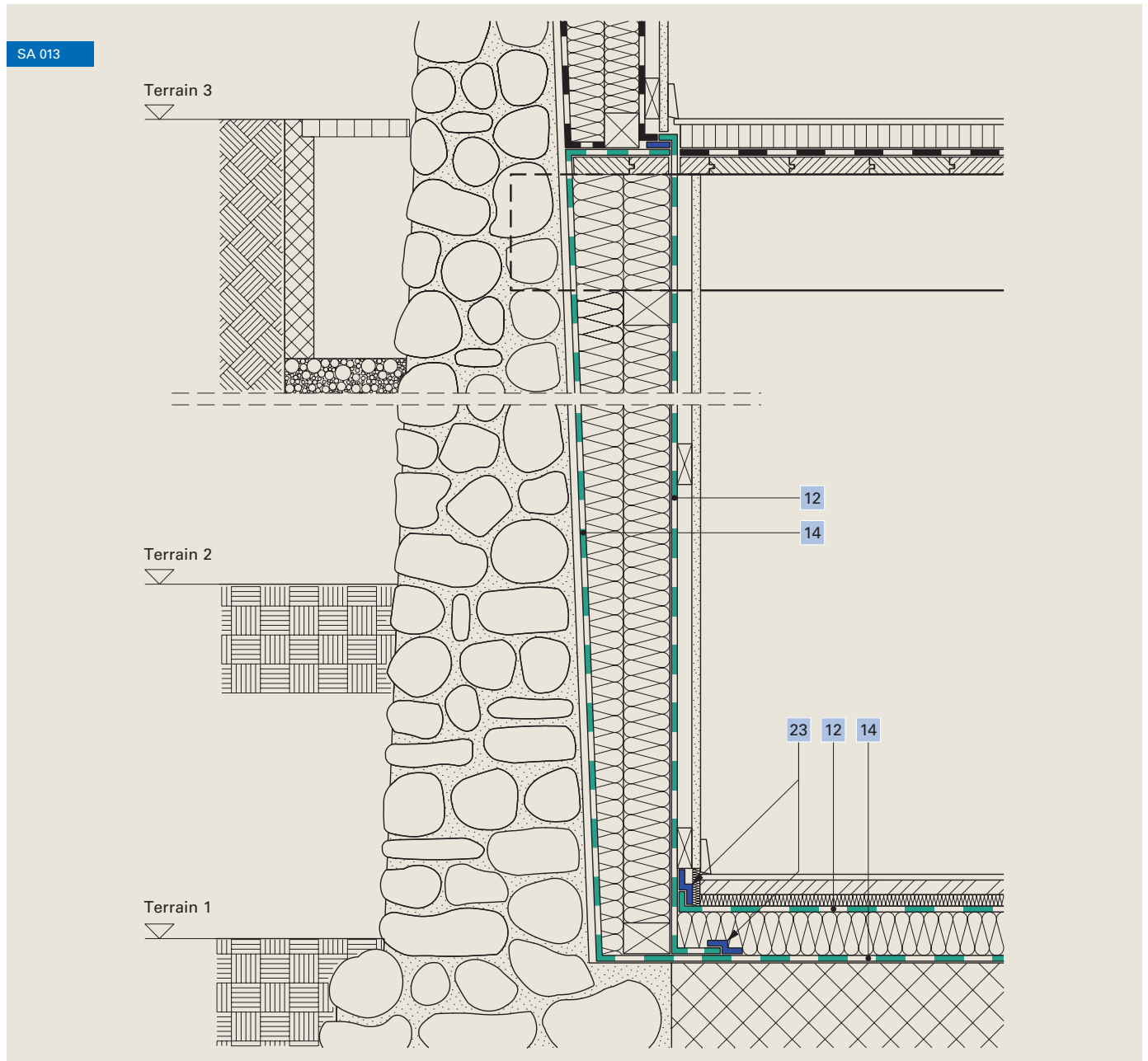
SA 012



12	Vapour barrier <b>Sisalex® 514</b>
14	Vapour barrier <b>Sisalex® 518</b>
33	Adhesive tape <b>Ampacoll® BK 535, 50 mm</b>

# Refurbishment

▀ Airtight seal and damp protection in pebble masonry



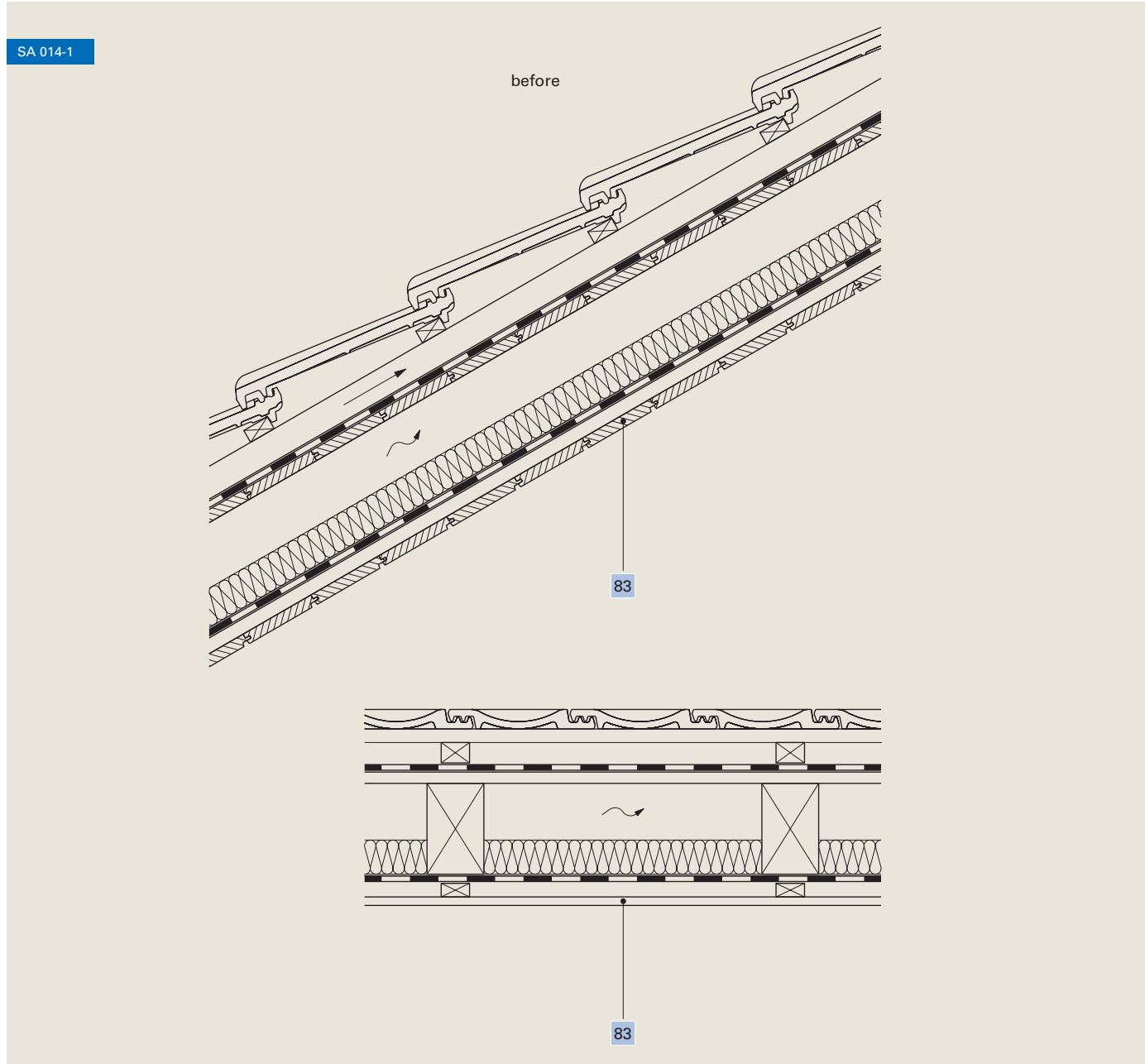
12	Vapour barrier <b>Sisalex® 514</b>
14	Vapour barrier <b>Sisalex® 518</b>
23	Adhesive tape <b>Ampacoll® XT, 60 mm</b>

Terrain 1+2 No problems

Terrain 3 Caution - damp timber head →  
use mesh to create dehumidifying shaft

# Renovation, exterior renovation (before)

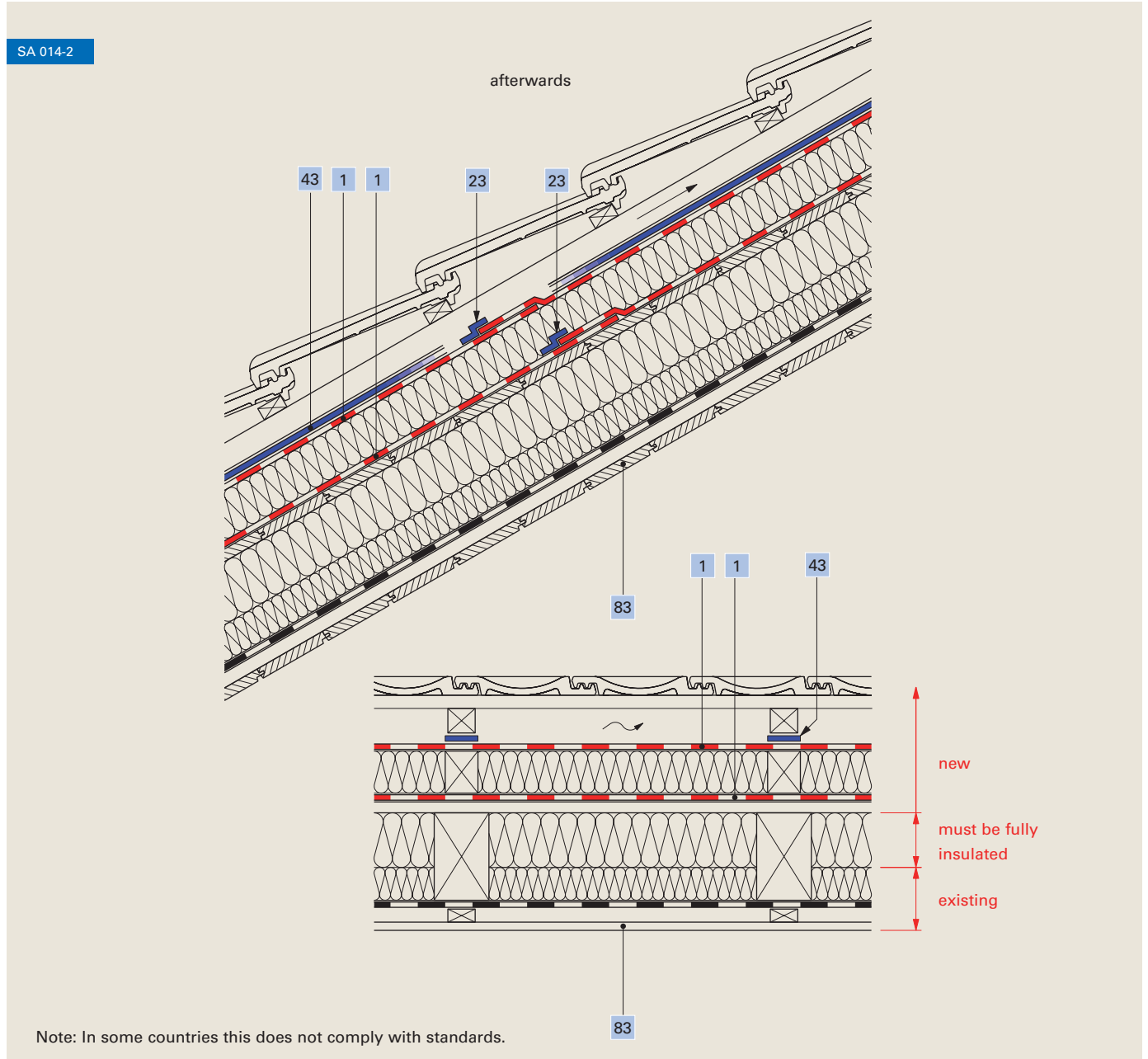
- With rafter-mounted insulation
- Air-tight layer above rafters



83 Cladding

# Renovation, exterior renovation (afterwards)

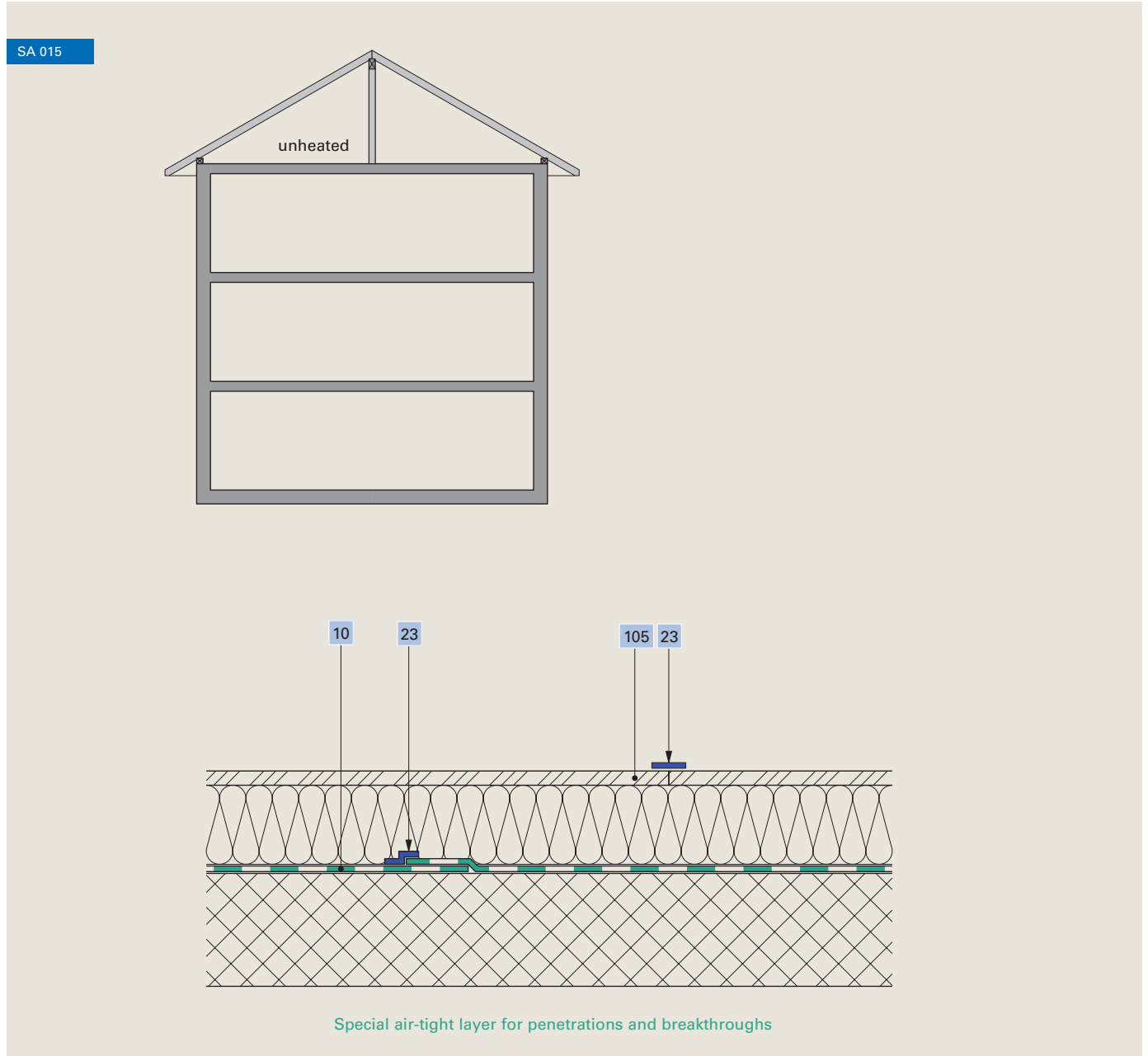
With rafter-mounted insulation  
Air-tight layer above rafters



1	Roof membrane <b>Ampatop® Protecta (plus)</b>	83	Inner cladding
23	Adhesive tape <b>Ampacoll® XT, 60 mm</b>		
43	Nail sealing tape <b>Ampacoll® ND.Band / Ampacoll ND Duo</b>		

# Renovations

## Insulation top floor



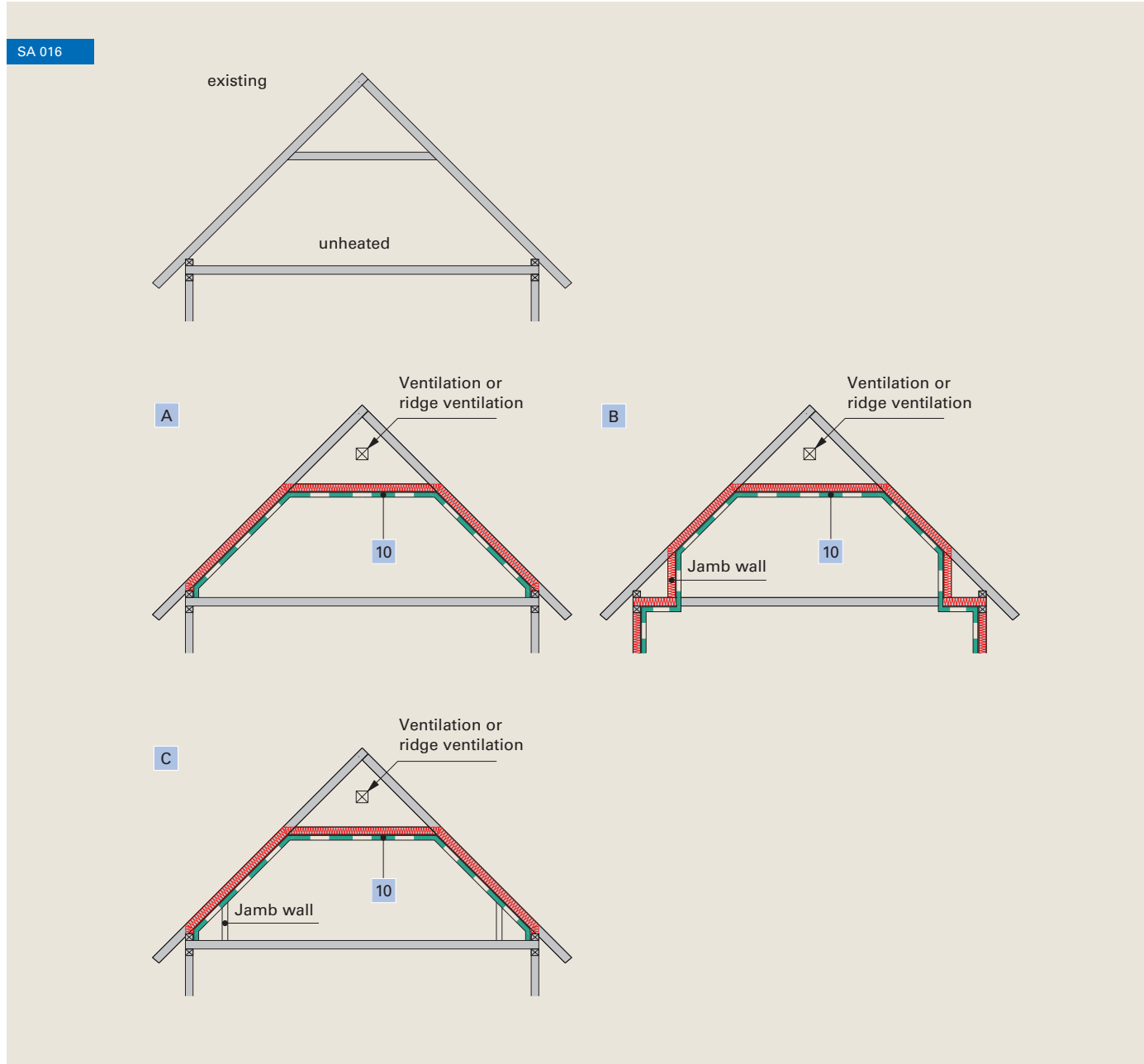
10	Formwork membrane <b>Ampatex® Solero</b> , Vapour check <b>Ampatex® DB 90 / Ampatex® Cento</b>
23	Adhesive tape <b>Ampacoll® XT</b> , 60 mm

105	Walkable covering, glued, or wall membrane <b>Ampatop® Aero (plus)</b>
-----	---



# Renovations

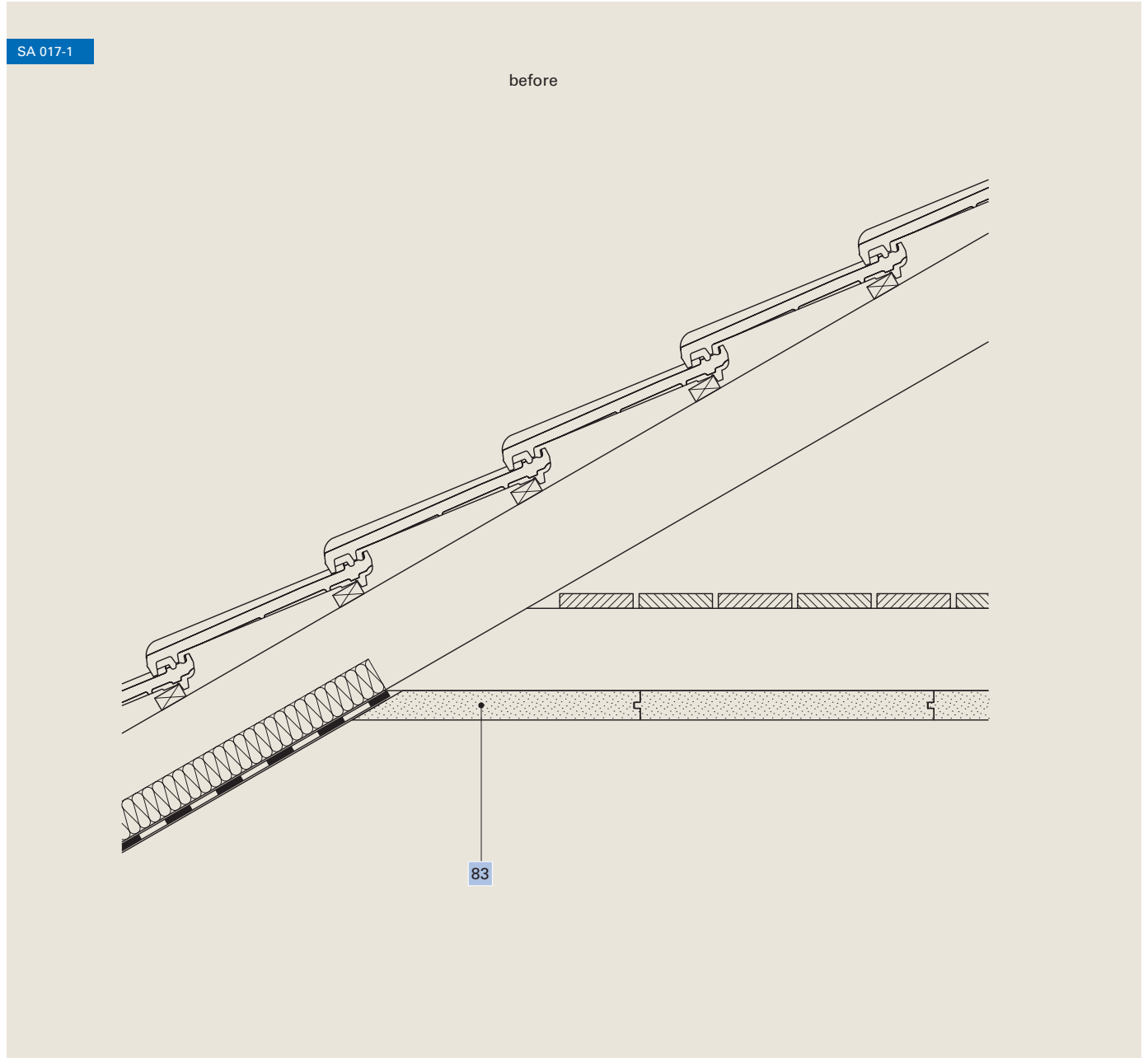
Insulation of old collar beam roof from inside, principles



10 Vapour check **Ampatex® DB 90**

# Renovations

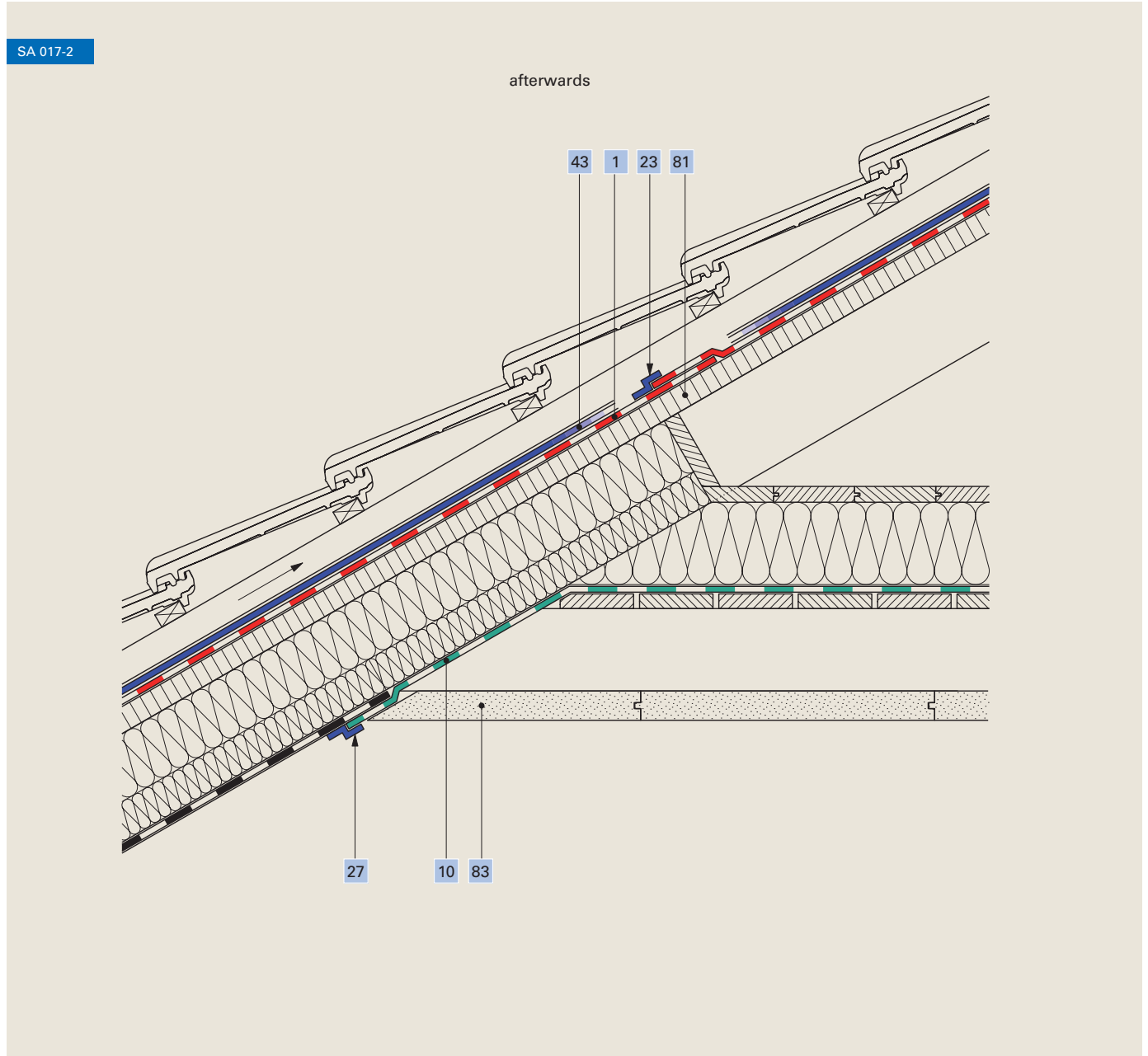
Exterior insulation of old collar beam roofs (before)



83 Cladding

# Renovations

## Exterior insulation of old collar beam roofs (afterwards)



1	Roof membrane <b>Ampatop® Protecta (plus)</b>	43	Nail sealing tape <b>Ampacoll® ND.Band</b>
10	Vapour check <b>Ampatex® DB 90</b>	81	Soft wood fibre board
23	Adhesive tape <b>Ampacoll® XT, 60 mm</b>	83	Cladding
27	Adhesive tape <b>Ampacoll® INT</b>		